

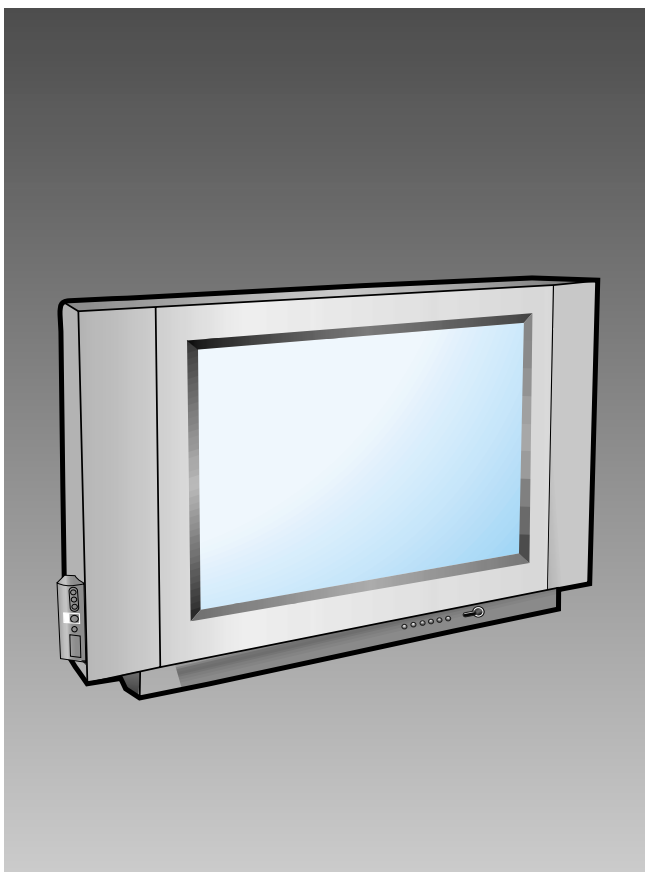
SAMSUNG

COLOR TELEVISION RECEIVER

Chassis : KS4A(N)
Model : TSK2792FX/XAA TSK2790FX/XAA
TSK2792FX/XAC TSK3290FX/XAA
TSK3092WFX/XAC TSK3092WFX/XAA
TSK3292FX/XAA TSK3292FX/XAC

SERVICE *Manual*

COLOR TELEVISION RECEIVER



CONTENTS

1. Precautions
2. Reference Information
3. Specifications
4. Alignment and Adjustments
5. Troubleshooting
6. Exploded Views and Parts List
7. Electrical Parts List
8. Block Diagrams
9. Schematic Diagrams



ELECTRONICS

1. Precautions

Follow these safety, servicing and ESD precautions to prevent damage and protect against potential hazards such as electrical shock and X-rays.

1-1 Safety Precautions

1. Be sure that all of the built-in protective devices are replaced. Restore any missing protective shields.
2. When reinstalling the chassis and its assemblies, be sure to restore all protective devices, including: nonmetallic control knobs and compartment covers.
3. Make sure that there are no cabinet openings through which people—particularly children—might insert fingers and contact dangerous voltages. Such openings include the spacing between the picture tube and the cabinet mask, excessively wide cabinet ventilation slots, and improperly fitted back covers.

If the measured resistance is less than 1.0 megohm or greater than 5.2 megohms, an abnormality exists that must be corrected before the unit is returned to the customer.

4. Leakage Current Hot Check (Figure 1-1):
Warning: Do not use an isolation transformer during this test. Use a leakage-current tester or a metering system that complies with American National Standards Institute (ANIS C101.1, Leakage Current for Appliances), and Underwriters Laboratories (UL Publication UL1410, 59.7).
5. With the unit completely reassembled, plug the AC line cord directly into the power outlet. With the unit's AC switch first in the ON position and then OFF, measure the current between a known earth ground (metal water pipe, conduit, etc.) and all exposed metal parts, including: antennas, handle brackets, metal cabinets, screwheads and control shafts. The current measured should not exceed 0.5 milliamp. Reverse the power-plug prongs in the AC outlet and repeat the test.

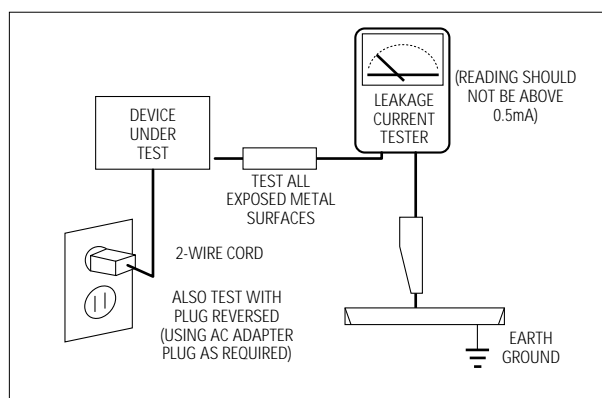


Fig. 1-1 AC Leakage Test

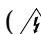
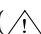
6. Antenna Cold Check:
With the unit's AC plug disconnected from the AC source, connect an electrical jumper across the two AC prongs. Connect one lead of the ohmmeter to an AC prong. Connect the other lead to the coaxial connector.
7. X-ray Limits:
The picture tube is especially designed to prohibit X-ray emissions. To ensure continued X-ray protection, replace the picture tube only with one that is the same type as the original. Carefully reinstall the picture tube shields and mounting hardware; these also provide X-ray protection.
8. High Voltage Limits:
High voltage must be measured each time servicing is done on the B+, horizontal deflection or high voltage circuits. Correct operation of the X-ray protection circuits must be reconfirmed whenever they are serviced.
(X-ray protection circuits also may be called "horizontal disable" or "hold-down".)

Heed the high voltage limits. These include the X-ray Protection Specifications Label, and the Product Safety and X-ray Warning Note on the service data schematic.

1-1 Safety Precautions (Continued)

9. High voltage is maintained within specified limits by close-tolerance, safety-related components and adjustments. If the high voltage exceeds the specified limits, check each of the special components.
10. Design Alteration Warning:
Never alter or add to the mechanical or electrical design of this unit. Example: Do not add auxiliary audio or video connectors. Such alterations might create a safety hazard. Also, any design changes or additions will void the manufacturer's warranty.
11. Hot Chassis Warning:
Some TV receiver chassis are electrically connected directly to one conductor of the AC power cord. If an isolation transformer is not used, these units may be safely serviced only if the AC power plug is inserted so that the chassis is connected to the ground side of the AC source.

To confirm that the AC power plug is inserted correctly, do the following: Using an AC voltmeter, measure the voltage between the chassis and a known earth ground. If the reading is greater than 1.0V, remove the AC power plug, reverse its polarity and reinsert. Re-measure the voltage between the chassis and ground.
12. Some TV chassis are designed to operate with 85 volts AC between chassis and ground, regardless of the AC plug polarity. These units can be safely serviced only if an isolation transformer inserted between the receiver and the power source.
13. Some TV chassis have a secondary ground system in addition to the main chassis ground. This secondary ground system is not isolated from the AC power line. The two ground systems are electrically separated by insulating material that must not be defeated or altered.
14. Components, parts and wiring that appear to have overheated or that are otherwise damaged should be replaced with parts that meet the original specifications. Always determine the cause of damage or overheating, and correct any potential hazards.
15. Observe the original lead dress, especially near the following areas: Antenna wiring, sharp edges, and especially the AC and high voltage power supplies. Always inspect for pinched, out-of-place, or frayed wiring. Do not change the spacing between components and the printed circuit board. Check the AC power cord for damage. Make sure that leads and components do not touch thermally hot parts.
16. Picture Tube Implosion Warning:
The picture tube in this receiver employs "integral implosion" protection. To ensure continued implosion protection, make sure that the replacement picture tube is the same as the original.
17. Do not remove, install or handle the picture tube without first putting on shatterproof goggles equipped with side shields. Never handle the picture tube by its neck. Some "in-line" picture tubes are equipped with a permanently attached deflection yoke; do not try to remove such "permanently attached" yokes from the picture tube.
18. Product Safety Notice:
Some electrical and mechanical parts have special safety-related characteristics which might not be obvious from visual inspection. These safety features and the protection they give might be lost if the replacement component differs from the original—even if the replacement is rated for higher voltage, wattage, etc.

Components that are critical for safety are indicated in the circuit diagram by shading, () or (). Use replacement components that have the same ratings, especially for flame resistance and dielectric strength specifications. A replacement part that does not have the same safety characteristics as the original might create shock, fire or other hazards.

1-2 Servicing Precautions

Warning1: First read the "Safety Precautions" section of this manual. If some unforeseen circumstance creates a conflict between the servicing and safety precautions, always follow the safety precautions.

Warning2: An electrolytic capacitor installed with the wrong polarity might explode.

1. Servicing precautions are printed on the cabinet. Follow them.
2. Always unplug the unit's AC power cord from the AC power source before attempting to:
(a) Remove or reinstall any component or assembly, (b) Disconnect an electrical plug or connector, (c) Connect a test component in parallel with an electrolytic capacitor.
3. Some components are raised above the printed circuit board for safety. An insulation tube or tape is sometimes used. The internal wiring is sometimes clamped to prevent contact with thermally hot components. Reinstall all such elements to their original position.
4. After servicing, always check that the screws, components and wiring have been correctly reinstalled. Make sure that the portion around the serviced part has not been damaged.
5. Check the insulation between the blades of the AC plug and accessible conductive parts (examples: metal panels, input terminals and earphone jacks).
6. Insulation Checking Procedure: Disconnect the power cord from the AC source and turn the power switch ON. Connect an insulation resistance meter (500V) to the blades of the AC plug.

The insulation resistance between each blade of the AC plug and accessible conductive parts (see above) should be greater than 1 megohm.
7. Never defeat any of the B+ voltage interlocks. Do not apply AC power to the unit (or any of its assemblies) unless all solid-state heat sinks are correctly installed.
8. Always connect a test instrument's ground lead to the instrument chassis ground before connecting the positive lead; always remove the instrument's ground lead last.

1-3 Precautions for Electrostatically Sensitive Devices (ESDs)

1. Some semiconductor (“solid state”) devices are easily damaged by static electricity. Such components are called Electrostatically Sensitive Devices (ESDs); examples include integrated circuits and some field-effect transistors. The following techniques will reduce the occurrence of component damage caused by static electricity.
2. Immediately before handling any semiconductor components or assemblies, drain the electrostatic charge from your body by touching a known earth ground. Alternatively, wear a discharging wrist-strap device. (Be sure to remove it prior to applying power—this is an electric shock precaution.)
3. After removing an ESD-equipped assembly, place it on a conductive surface such as aluminum foil to prevent accumulation of electrostatic charge.
4. Do not use freon-propelled chemicals. These can generate electrical charges that damage ESDs.
5. Use only a grounded-tip soldering iron when soldering or unsoldering ESDs.
6. Use only an anti-static solder removal device. Many solder removal devices are not rated as “anti-static”; these can accumulate sufficient electrical charge to damage ESDs.
7. Do not remove a replacement ESD from its protective package until you are ready to install it. Most replacement ESDs are packaged with leads that are electrically shorted together by conductive foam, aluminum foil or other conductive materials.
8. Immediately before removing the protective material from the leads of a replacement ESD, touch the protective material to the chassis or circuit assembly into which the device will be installed.
9. Minimize body motions when handling unpackaged replacement ESDs. Motions such as brushing clothes together, or lifting a foot from a carpeted floor can generate enough static electricity to damage an ESD.

2. Reference Information

2-1 Tables of Abbreviations and Acronyms

Table 2-1 Abbreviations

A	Ampere	MV	Megavolt
Ah	Ampere-hour	MW	Megawatt
Å	Angstrom	MΩ	Megohm
dB	Decibel	m	Meter
dBm	Decibel Referenced to One Milliwatt	μA	Microampere
°C	Degree Celsius	μF	Microfarad
°F	Degree Fahrenheit	μH	Microhenry
°K	degree Kelvin	μm	Micrometer
F	Farad	μs	Microsecond
G	Gauss	μW	Microwatt
GHz	Gigahertz	mA	Milliampere
g	Gram	mg	Milligram
H	Henry	mH	Millihenry
Hz	Hertz	ml	Milliliter
h	Hour	mm	Millimeter
ips	Inches Per Second	ms	Millisecond
kWh	Kilowatt-hour	mV	Millivolt
kg	Kilogram	nF	Nanofarad
kHz	Kilohertz	Ω	Ohm
kΩ	Kilohm	pF	Picofarad
km	Kilometer	lb	Pound
km/h	Kilometer Per Hour	rpm	Revolutions Per Minute
kV	Kilovolt	rps	Revolutions Per Second
kVA	Kilovolt-ampere	s	Second (Time)
kW	Kilowatt	V	Volt
l	Liter	VA	Volt-ampere
MHz	Megahertz	W	Watt
		Wh	Watt-hour

Table 2-2 Table of Acronyms

ABL	Automatic Brightness Limiter	I/O	Input/output
AC	Alternating Current	L	Left
ACC	Automatic Chroma Control	L	Low
AF	Audio Frequency	LED	Light Emitting Diode
AFC	Automatic Frequency Control	LF	Low Frequency
AFT	Automatic Fine Tuning	MOSFET	Metal-Oxide-Semiconductor-Field-Effect-Tr
AGC	Automatic Gain Control	MTS	Multi-channel Television Sound
AM	Amplitude Modulation	NAB	National Association of Broadcasters
ANSI	American National Standards Institute	NEC	National Electric Code
APC	Automatic Phase Control	NTSC	National Television Systems Committee
APC	Automatic Picture Control	OSD	On Screen Display
A/V	Audio-Video	PCB	Printed Circuit Board
AVC	Automatic Volume Control	PLL	Phase-Locked Loop
BAL	Balance	PWM	Pulse Width Modulation
BPF	Bandpass Filter	QIF	Quadrature Intermediate Frequency
B-Y	Blue-Y	R	Right
CATV	Community Antenna Television (Cable TV)	RC	Resistor & Capacitor
CB	Citizens Band	RF	Radio Frequency
CCD	Charge Coupled Device	R-Y	Red-Y
CCTV	Closed Circuit Television	SAP	Second Audio Program
Ch	Channel	SAW	Surface Acoustic Wave(Filter)
CRT	Cathode Ray Tube	SIF	Sound Intermediate Frequency
CW	Continuous Wave	SMPS	Switching Mode Power Supply
DC	Direct Current	S/N	Signal/Noise
DVM	Digital Volt Meter	SW	Switch
EIA	Electronics Industries Association	TP	Test Point
ESD	Electrostatic Discharge	TTL	Transistor Transistor Logic
ESD	Electrostatically Sensitive Device	TV	Television
FBP	Feedback Pulse	UHF	Ultra High Frequency
FBT	Flyback Transformer	UL	Underwriters Laboratories
FF	Flip-Flop	UV	Ultraviolet
FM	Frequency Modulation	VCD	Variable-Capacitance Diode
FS	Fail Safe	VCO	Voltage Controlled Oscillator
GND	Ground	VCXO	Voltage Controlled Crystal Oscillator
G-Y	Green-Y	VHF	Very High Frequency
H	High	VIF	Video Intermediate Frequency
HF	High-Frequency	VR	Variable Resistor
HI-FI	High Fidelity	VTR	Video Tape Recorder
IC	Inductance-Capacitance	VTVM	Vacuum Tube Voltmeter
IC	Integrated Circuit	TR	Transistor
IF	Intermediate Frequency		

2-2 IC Line Up

Block	Des-Loc	Part-Number	IC Name	Description
MAIN	IC601	1204-001594	MSP3440G-B6	IC-SOUND PROCESSOR
	IC701	1001-001073	TEA6415C	IC-VIDEO SWITCH
	IC702	1001-001113	TEA6422	IC-AUDIO SWITCH
	IC703	1002-001193	PCF8591P	IC-A/D & D/A CONVERTER
	TU01	AA40-00020A	TCLN318PA09A(S)	TUNER-F/S
	TUP01	AA40-00032A	TCPN3081PC09A(S)	TUNER-F/S
	IC905	1103-001213	24C16	IC-EEPROM
	ICG01	0801-000314	74HCT86	IC-CMOS LOGIC
	ICH01	1204-001454	TDA7449L	IC-VOLUME CONTROL
	IC602	1201-000407	TDA7050	IC-POWER AMP
	IC603, ICD603	1201-001026	TDA7265	IC-POWER AMP
	IC804	1203-000203	SI3050	IC-POS.IADJUST REG.
	IC805	1203-000203	SI3050	IC-POS.IADJUST REG.
	ICD02	1201-000191	4558	IC-OP AMP
	IC802	1203-000293	KA7808	IC-POS.I.FIXED REG.
	IC803	1203-000298	KA7809	IC-POS.I.FIXED REG.
	IC801	1203-000165	78R12	IC-POS.IADJUST REG.
POWER	IC301	1204-000517	LA7845	IC-VERTIVAL DEF.
	IC403	1202-000103	LM393	IC-VOLTAGE COMP.
	IC801S	AA13-00018A	STR-F6656	IC-HYBRID
	IC803S	AA13-00024A	TNY253P	IC-HYBRID
	QH04	0502-000442	2SC4636RB	TR-POWER
	Q403	0505-000156	IRF620	FET-SILICON
	Q404	0505-001116	BUZ73A	FET-SILICON
	Q405	0502-001175	2SC5446	TR-POWER
	Q801	AA13-20004H	SE135N-LF12	IC-HYBRID

Block	Des-Loc	Part-Number	IC Name	Description
F-BOX	IC01	1204-001598	VPC3230D-A0	IC-VIDEO PROCESS
	IC02	AA13-00095A	SDP01	IC-ASIC
	IC05	1002-001045	SDA9280	IC-D/A CONVERTER
	IC06	1204-001372	SDA9361	IC-HOR./VER.PROCESS
	IC07	1204-001550	CXA2101AQ	IC-VIDEO PROCESS
	IC02	1105-001172	416C1204	IC-DRAM
	IC03	1105-001035	416S1120	IC-DRAM
	IC04	1105-001035	416S1120	IC-DRAM
	PIC01	1204-001598	VPC3230D-A0	IC-VIDEO PROCESS
	PIC02	1109-001144	81V04160	IC-FIFO
	PIC04	1203-001419	4931	IC-VOLTAGE REGULATOR
	PIC05	1203-001419	4931	IC-VOLTAGE REGULATOR
	IC902	1203-001140	7039	IC-VOL.DETECTOR
	IC903	1203-001274	7545	IC-VOL.DETECTOR
	IC11	1203-001419	4931	IC-VOLTAGE REGULATOR
	IC12	1203-001140	7039	IC-VOL.DETECTOR
	IC13	1203-001359	1086	IC-POSI.FIXED REG.
	IC14	1202-000001	KA7533	IC-VOLTAGE COMP.
	IC04	1203-001419	4931	IC-VOLTAGE REGULATOR
	CRT	IC501	1201-001131	TDA6111Q
IC502		1201-001131	TDA6111Q	IC-VIDEO AMP
IC503		1201-001131	TDA6111Q	IC-VIDEO AMP
QF10		0502-000153	2SC2344-D	TR-POWER
QF09		0502-000131	2SA1011A-D	TR-POWER
DOLBY	IC504	1201-000010	2030	IC-OP AMP
	IC601	1204-001198	DPL3519A	IC-DECODER
MICOM	IC602	1201-000541	062,SOP,8P	IC-OP AMP
	IC901	AA13-00012A	Z9037112PSC-OTP	IC-MCU
3D-COMB	IC01	1204-001556	UPD64082GF	IC-SEPARATOR

3. Specifications

Model		TSK2792FX, TSK2790FX, TSK3092WFX, TSK3292FX, TSK3290FX	CT-29A7PD9X, CT-34A7PD9X
Dimensions (mm)	Set	862 (W) x 515 (D) x 585 (H)	
	Transmitter	54 (W) x 31.5 (D) x 220 (H)	
Weight	Set	56.3 Kg	
	Transmitter	153 g (including batteries)	
Picture Tube		Hi Contrast Instant Reception Type	
Tuning Ranges		VHF (CH 2 ~ 13)	
		UHF (CH 14 ~ 69)	
		CATV (CH 1, 14 ~ 125)	
Television System		NTSC-M	
Antenna Input		VHF, UHF: 75 ohm unbalanced type	
Intermediate Frequency		Video: 45.75 MHz	
		Sound: 41.25 MHz	
		Chrominance Subcarrier: 42.17 MHz	
Automatic Gain Control		Reverse Automatic Gain Control (Reverse AGC)	
Power Supply	Set	AC 120 V, 60 Hz	AC 100-240, 50/60Hz
	Transmitter	DC 1.5V (AAA Size) x 2	
Power Consumption		180 W	
Rectification		Insulation Switch	
Sound Output		15 W x 2, 8 ohm	
Adjustment System		Transmitter Adjustment: Infrared Rays Type	
		UHF/VHF electronic tuner fine tuning: Electronic Type	
		Electronic Function Adjustment	

Specifications are subject to change.

MEMO

4. Alignment and Adjustments

4-1 Adjustments

4-1-1 General Alignment Instructions

Usually, a color TV needs only slight touch-up adjustment upon installation. Check the basic characteristics such as vertical size, horizontal size, and focus. Observe the picture and check for good black and white details. There must be no objectionable color shading: If color shading is present, demagnetize the receiver. If color shading persists, re-do purity and convergence adjustments.

Note :

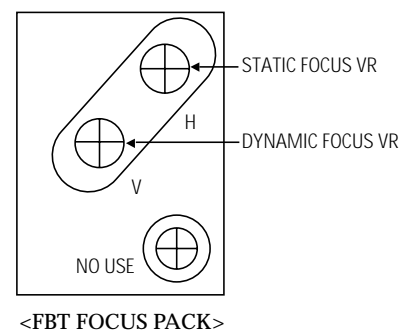
1. This '4. Alignment and Adjustments' applies to KS4A chassis applications.
2. AC Power Supply: 220 V only
3. This service manual has been written on the basis of domestic remote-control model adopting KS4A chassis. Depending on sales location and product specifications, some of specifications herein may be changed.

4-1-2 Focus Adjustment

KS4A contains a dynamic focus circuit. When CRT PCB, FBT or CRT is replaced, be sure to adjust in the following sequence:

Dynamic Focus Adjustment

1. Input a crosshatch pattern.
2. Select "Standard" from the menu.
3. Turn the Static Focus VR clockwise to set it to its maximum.
4. Turn the Dynamic Focus VR counterclockwise to set it to its maximum.
5. Turn the Static Focus VR counterclockwise slowly for the clearest center vertical line.



6. Turn the Dynamic Focus VR clockwise slowly for the clearest third line.



7. Check for the FOCUS of entire screen. If necessary, re-do adjustments 3~6.

4-1-3 Screen Voltage Adjustment

1. Enter the Video/Component Mode. Just connect a jack and do not supply a video signal.
2. Use a DC multi-meter to identify RK, GK, BK. And then adjust FBT Screen VR so that the highest voltage becomes 175 Vp-p.

4-1-4 White Balance Adjustment

1. Select "Standard" from the menu.
2. Input an 100% White pattern.
3. In standby, press the remote-control keys in the following sequence: Mute → 1 → 8 → 2
Power on the TV set.
4. Warm up the TV set at least for 30 minutes.
5. Input a 10-step stair signal.
6. Use the Volume +/- buttons on the remote-control to select RDR, GDR, BDR, CON.
7. Adjust Low-Light while viewing the darker side of screen.
8. Use the Volume +/- buttons on the remote-control to select RCT, GCT, BCT, SBT.
9. Adjust High-Light while viewing the brighter side of screen.
10. If not proper, re-adjust White Balance.
11. Press the Memory button to exit.

4-1-5 Sub-Brightness Adjustment

1. In standby, press the remote-control keys in the following sequence: Mute → 1 → 8 → 2
Power on the TV set.
2. Use the Channel Up/Down buttons to receive the sub bright adjustment signal.
3. Use the Volume +/- buttons to select SBT.
4. Press the Menu or Mute button on the remote control to adjust so that the seventh step on the right of screen cannot be seen.
5. Press the Memory button to exit.

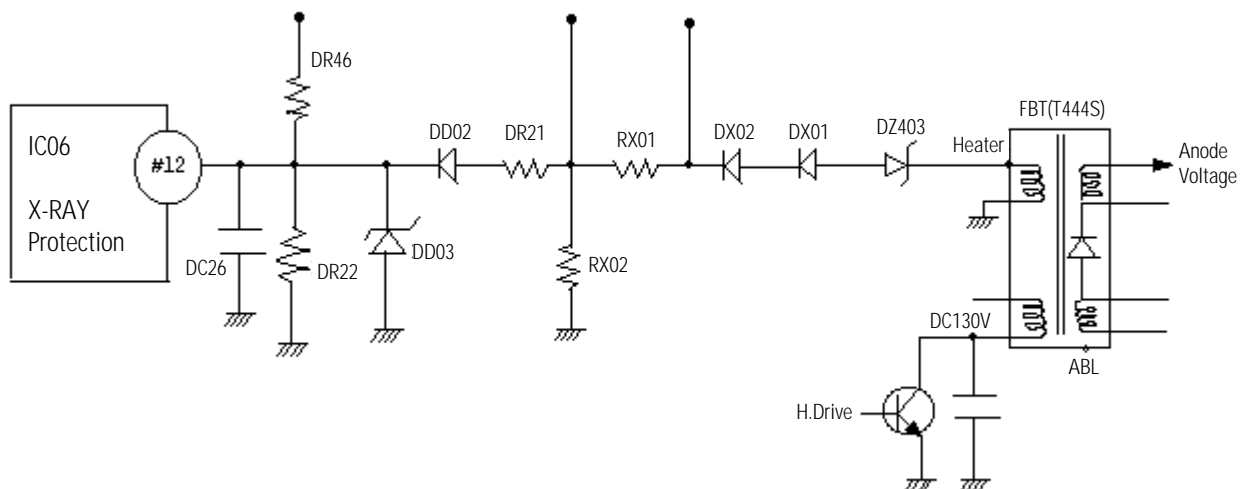
Note1. HOLD-DOWN OR SAFETY CIRCUIT INFORMATION

The high voltage hold-down circuit prevent TV from damage caused by abnormal high voltage. The energy of FBT(T444S) primary winding is transferred to the secondary winding and the amount of energy is exactly proportional to high voltage output. The voltage which is induced from high voltage output is filtered and applied to the reference pin (#12) of IC06 through fail safe circuit.

If the high voltage is increase to higher point than hold down reference voltage (DZ403), this voltage is set by two resistors(RX01,RX02),then the voltage level of IC06 reference pin reaches to its threshold voltage and IC06 turns on. By the activation of IC06.

The pulse of Horizontal drive turn to zero and the high voltage output fully disabled the three components, RX02,DD03 and DR22, Make hold down reference voltage.

And the DZ403 current can flow through the three components and the current the voltage level of IC06 (#12) is maintained always at high level so the protection cannot be disabled (except reset AC power) .

Fail Safe Test Point

4-2 SZM 410A(ZILOG90371) Micom

4-2-1 Pin Layout

POWER	1	P16/SCLK	P15/B(1)	52	NC
IR-IN	2	IRIN	P14/B(0)	51	NC
X-RAY ID/VGA-ID	3	P0C	P13/G(1)	50	NC
NC	4	P0B	P18/G(0)	49	HOLD
NC	5	P0A	P08/R(1)	48	NC
NC	6	P09	P10/R(0)	47	NC
1080i S/W	7	P0D	PWM6	46	LED2(TIMER)
NC	8	P07/CYNC	PWM5	45	LED1(STAND BY)
5VB-CHECK	9	P06/CNTR	PWM4	44	D-COIL
1H-SYNC	10	P03/1HSYNC	PWM3	43	MUTE(AMP)
SCL-2	11	P01/12CSC	PWM2	42	TILT
SDA-2	12	P02/12CSD	PWM1	41	S-RESET
CVBS	13	CV1/ADC0	GND	40	XTAL GND
LOOP FILTER	14	LPF	VCC	39	VCC
ANALOG GND	15	AGNDF	GND	38	GND
S-AFT	16	ADC5	XTAL2	37	XTAL2
KEY1	17	P04/ADC4	XTAL1	36	XTAL1
M-AFT	18	P04/ADC3	RESET	35	RESET
KEY2	19	P04/ADC2	12CMC1	34	NC
BUS STOP	20	P04/ADC1	12CMD1	33	NC
ANALOG GND	21	AGND	POE	32	WP
ANALOG VCC	22	AVCC	P11/12CMC2	31	SCL-1
HALF TONE	23	P0F/SOVL	P12/12CMD2	30	SDA-1
OSD-B	24	V3(B)	V-SYNC	29	V-SYNC(2V)
OSD-G	25	V2(G)	H-SYNC	28	H-SYNC(2H)
OSD-R	26	V1(R)	OVL	27	BLANK(F/B)

**Z
9
0
3
7
1
1
2
P
S
C
-
O
T
P**

4-2-2 Port Assignment

PIN NO	PIN NAME	D4 PIN	DESCRIPTION
1	P16/SCLK	POWER	POWER CONTROL OUTPUT
2	IRIN	IR INPUT	REMOCON INPUT
3	P0C	VGA ID	PC SIGNAL DETECTOR, X-RAY DETECTOR
4	P0B	N.C	
5	P0A	N.C	
6	P09	N.C	
7	P0D	1080i S/W	1080i B+ UP S/W
8	P07/CYNC	N.C	
9	P06/CNTR	5VB CHECK	5V-B+ CHECK
10	P03/1HSYNC	1HSYNC	H/V SYNC FOR CCD
11	P01/I2CSC	SCL2	E2PROM/PIP only, I2C BUS CLK2
12	P02/I2CSD	SDA2	E2PROM/PIP only, I2C BUS DATA 2
13	CVI/ADC0	CVBS IN	CCD COMPOSITE INPUT
14	LPF	LOOP FILTER	LOOP FILTER
15	AGNDF	GND	ANALOG GND
16	ADC5	S-AFT	PIP AFT INPUT
17	P04/ADC4	KEY1	VOL UP/DOWN, CH UP/DOWN, KEY SCAN INPUT PORT 1
18	P04/ADC3	MAIN AFT	MAIN AFT INPUT
19	P04/ADC2	KEY2	POWER, MENU, TV/VIDEO, KEY SCAN INPUT PORT 2
20	P04/ADC1	BUS STOP	I2C BUS STOP
21	AGND	GND	ANALOG GND
22	AVCC	VCC	ANALOG VCC
23	P0F/SOVL	HALF TONE	HALF TONE
24	V3(B)	OSD B	BLUE SIGNAL OF OSD
25	V2(G)	OSD G	GREEN SIGNAL OF OSD
26	V1(R)	OSD R	RED SIGNAL OF OSD
27	OVL	BLANK	BLANKING SIGNAL OF OSD
28	HSYNC	HSYNC	HORIZONTAL SYNC INPUT FOR OSD
29	VSYNC	VSYNC	VERTICAL SYNC INPUT FOR OSD
30	P12/I2CMD2	SDA1	I2C BUS DATA 1
31	P11/I2CMC2	SCL1	I2C BUS CLK 1
32	P0E	WP	E2PROM WRITE PROTECT

PIN NO	PIN NAME	D4 PIN	DESCRIPTION
33	I2CMD1	N.C	-
34	I2CMC1	N.C	-
35	RESET	RESET	RESET INPUT
36	XTAL1	XTAL1	-
37	XTAL2	XTAL2	-
38	GND	GND	GND
39	VCC	VCC	VCC
40	GND	GND	GND
41	PWM1	S-RESET	SOUND RESET
42	PWM2	TILT	TILT CONTROL
43	PWM3	MUTE	SOUND AMP MUTE
44	PWM4	D-COIL	DEGAUSSING COIL CONTROL OUTPUT
45	PWM5	LED1	STAND BY LED
46	PWM6	LED2	TIMER LED
47	P10/R(0)	N.C	-
48	P08/R(1)	N.C	-
49	P18/G(0)	HOLD	-
50	P13/G(1)	N.C	-
51	P14/B(0)	N.C	-
52	P15/B(1)	N.C	-

4-3 Service Mode Adjustments

KS4A chassis needs I2C for service mode adjustments. Since the outgone TV set has been adjusted optimum, I2C Adjustment doesn't need excluding when CRT, FBT, EEPROM (IC902) is replaced.

4-3-1 Entering the Service Mode

In standby, press the remote-control keys in the following sequence:

MUTE →1→8→2 POWER When the Service Mode is entered, use the Channel UP/DOWN buttons on the remote control to move to the item to adjust.

4-3-2 Adjustments Adjust

Detailed Items: Use the Channel UP/DOWN buttons.

Data Adjustment: Use the Volume +/- buttons.

Channel Switching: Enter the Channel No.

4-3-3 Special Notes

1. When IC902 (EEPROM) is replaced, warm up the TV for 4~5 seconds after plugging in.
2. After IC902 (EEPROM) is replaced, enter the Service Mode and standard data for all items.
3. Make the following adjustments: Geometric, White Balance, Sub-contrast, PIP contrast, Sub-brightness

4-4 Option Byte

		USA		CANADA		NT Latin America	
		NORMAL	WIDE	NORMAL	WIDE	NORMAL	WIDE
B0	WIDE	X	○	X	○	X	○
B1	V-CHIP	○	○	X	X	X	X
B2	AFN	X	X	X	X	X	X
B3	NO PC	○	○	○	○	X	X
B4	NO ACS	X	X	X	X	○	○
B5	NO X-RAY	X	X	X	X	○	○
OPTION BYTE		0A	0B	08	09	30	31

OPTION BYTE 0	0		3	2	1	0	0 : 4:3 (NORMAL) 1 : WIDE (16:9)
	(HEX)	(HEX)					
OPTION BYTE 0	0	(HEX)	3	2	1	0	0 : V-CHIP OFF 1 : V-CHIP ON
							0 : AIR/STD/HRC/IRC 1 : AIR/STD/HRC/AFN
							0 : PC ON 1 : PC OFF
							0 : ACS ON 1 : ACS OFF
OPTION BYTE 1	0	(HEX)	3	2	1	0	0 : X-RAY ON 1 : X-RAY OFF
							DON'T CARE
							DON'T CARE
							DON'T CARE
OPTION BYTE 1	0	(HEX)	3	2	1	0	DON'T CARE
							DON'T CARE
							DON'T CARE
							DON'T CARE
OPTION BYTE 1	0	(HEX)	3	2	1	0	DON'T CARE
							DON'T CARE
							DON'T CARE
							DON'T CARE

4-5 Geometric

DESCRIPTION		VS	VA	VL	VSC	VE	HA	PPH	PAM
		V-SHIFT	V-SIZE	V-LINE	V-S CORR	V-V EHT	H-SIZE	PIN PHS	PIN AMP
29" FLAT	RF Mode	85	100	95	135 (FIXED)	42 (FIXED)	145	50	45
	480P Mode	115	100	100	135 (FIXED)	42 (FIXED)	145	80	40
	1080i Mode	95	30	95	135 (FIXED)	42 (FIXED)	130	40	55
	PC Mode	100	80	105	130 (FIXED)	42 (FIXED)	120	85	40
34" FLAT	RF Mode	65	140	120	80 (FIXED)	42 (FIXED)	145	30	40
	480P Mode	100	140	120	80 (FIXED)	42 (FIXED)	140	50	40
	1080i Mode	80	70	110	80 (FIXED)	42 (FIXED)	120	30	40
	PC Mode	80	100	110	100 (FIXED)	42 (FIXED)	130	35	40
32" WIDE	RF Mode	80	110	110	30 (FIXED)	100 (FIXED)	140	55	35
	480P Mode	110	115	115	30 (FIXED)	100 (FIXED)	140	70	35
	1080i Mode	85	50	105	30 (FIXED)	100 (FIXED)	130	35	40
	PC Mode	90	70	115	30 (FIXED)	100 (FIXED)	115	85	30

DESCRIPTION		UPC	LOC	HEH	HS	VAN	VBO	HSP
		UP-CORR	LO-CORR	H-EHT	H-SHIFT	V-ANGLE	V-BOW	H-SYC-PH
29" FLAT	RF Mode	150	30	12(FIXED)	110	95	125	138 (FIXED)
	480P Mode	155	90	12(FIXED)	35	100	130	133 (FIXED)
	1080i Mode	170	35	12(FIXED)	35	95	125	139 (FIXED)
	PC Mode	140	95	12(FIXED)	85	95	120	140 (FIXED)
34" FLAT	RF Mode	150	30	12(FIXED)	115	130	130	138 (FIXED)
	480P Mode	155	50	12(FIXED)	35	120	130	133 (FIXED)
	1080i Mode	170	30	12(FIXED)	35	130	125	139 (FIXED)
	PC Mode	115	30	12(FIXED)	85	130	125	140 (FIXED)
32" WIDE	RF Mode	155	100	12(FIXED)	110	120	135	138 (FIXED)
	480P Mode	135	90	12(FIXED)	45	115	130	133 (FIXED)
	1080i Mode	170	80	12(FIXED)	50	115	125	139 (FIXED)
	PC Mode	165	120	12(FIXED)	85	120	135	140 (FIXED)

4-6 Picture

DESCRIPTION	RDR	GDR	BDR	RCT	GCT	BCT
	R-DRIVE	G-DRIVE	B-DRIVE	R-CUT OFF	G-CUT OFF	B-CUT OFF
29" 34" FLAT	32	32 (FIXED)	32	20	20 (FIXED)	20
32" WIDE	20	20 (FIXED)	20	20	20 (FIXED)	20

DESCRIPTION	SBT	CON	COL	HUE	GAM
	SUB-BRT	UB-CON	UB-COL	SUB-HUE	GAMMA
29" 34" FLAT	35	5	12(FIXED)	5 (FIXED)	10 (FIXED)
32" WIDE	25	5	8	5 (FIXED)	7 (FIXED)

DESCRIPTION	VML			
	VM-LEVEL			
	RF : 38	480 : 48	1080 : 58	PC : 68
29" 34" FLAT	245 (FIXED)	112 (FIXED)	112 (FIXED)	88 (FIXED)
32" WIDE	117 (FIXED)	112 (FIXED)	112 (FIXED)	88 (FIXED)

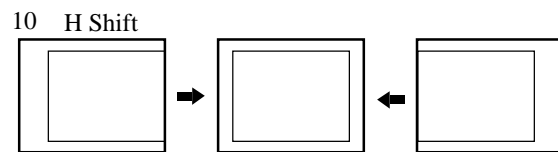
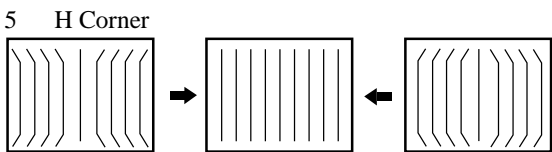
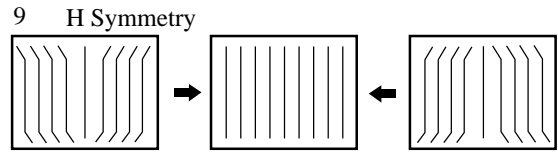
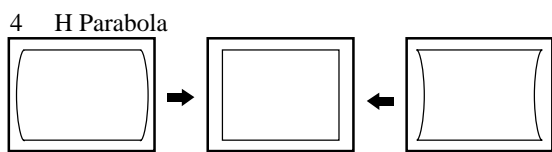
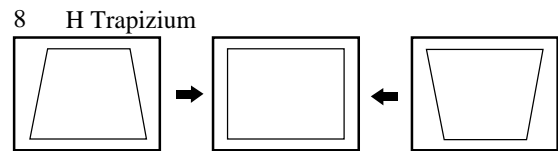
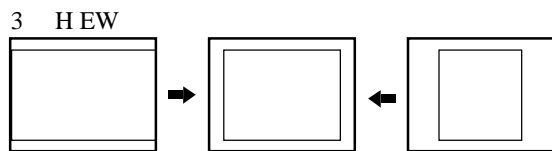
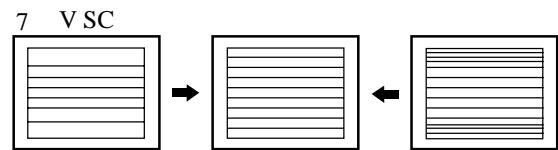
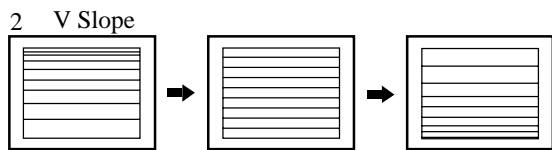
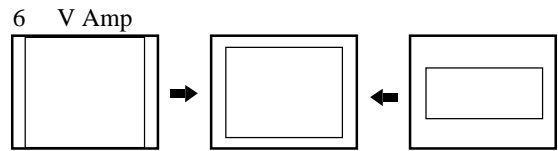
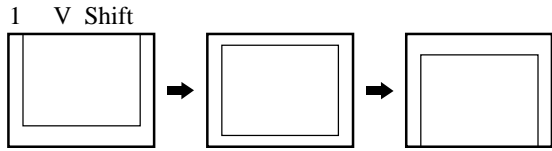
4-7 White Balance

	W/B	
	H/L	L/L
34"	x:275, y:295, y:45	x:275, y:265, y:2
32"	x:275, y:265, y:50	x:275, y:265, y:2.5
29"	x:262, y:264, y:45	x:250, y:250, y:2

**MEMORY DESCRIPTION**

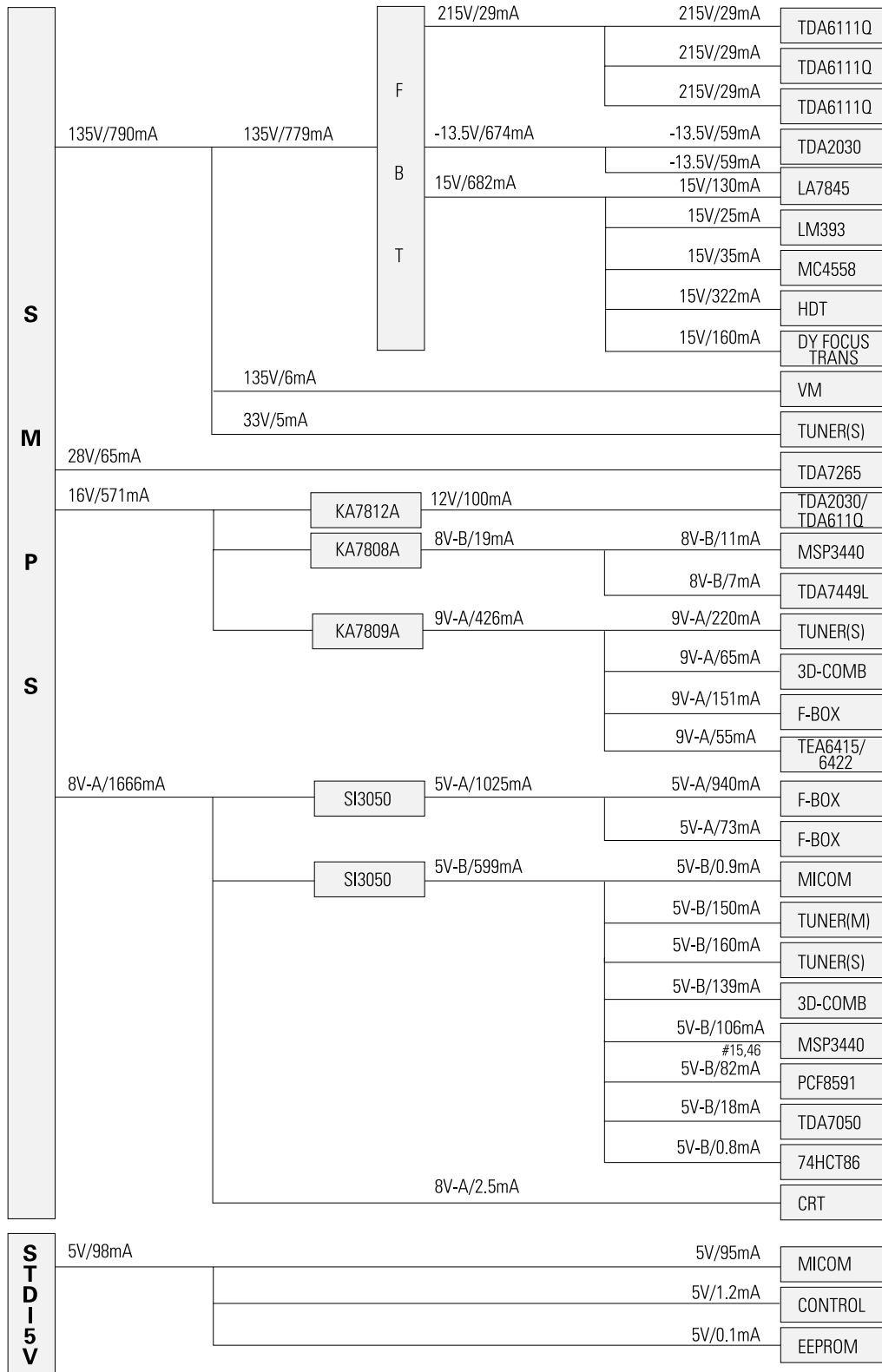
No.	Item	Description
0	V Shift	Vertical Shift
1	V Size	Adjusts the vertical image size
2	V Linearity	Adjusts the vertical linearity
3	V S Correction	Vertical S-Correction
4	V EHT	Adjusts the vertical variance (depending on the high pressure)
5	H Size	Adjusts the horizontal size
6	Pin Phase	Adjusts the left/right symmetry of pincushion
7	Pin AMP	Adjusts Pincushion
8	Upper Corner	Adjusts the upper corner
9	Lower Corner	Adjusts the lower corner
10	H EHT	Adjusts the horizontal variance (depending on the high pressure)
11	H Shift	Horizontal Shift
12	V Angle	Adjusts so that the vertical line becomes rectangular
13	V Bow	Adjusts so that the vertical lines are symmetrical
14	H Sync Phase	Adjusts the horizontal sync phase

4-8 Screen Change (I2C Bus Geometric Adjustment)



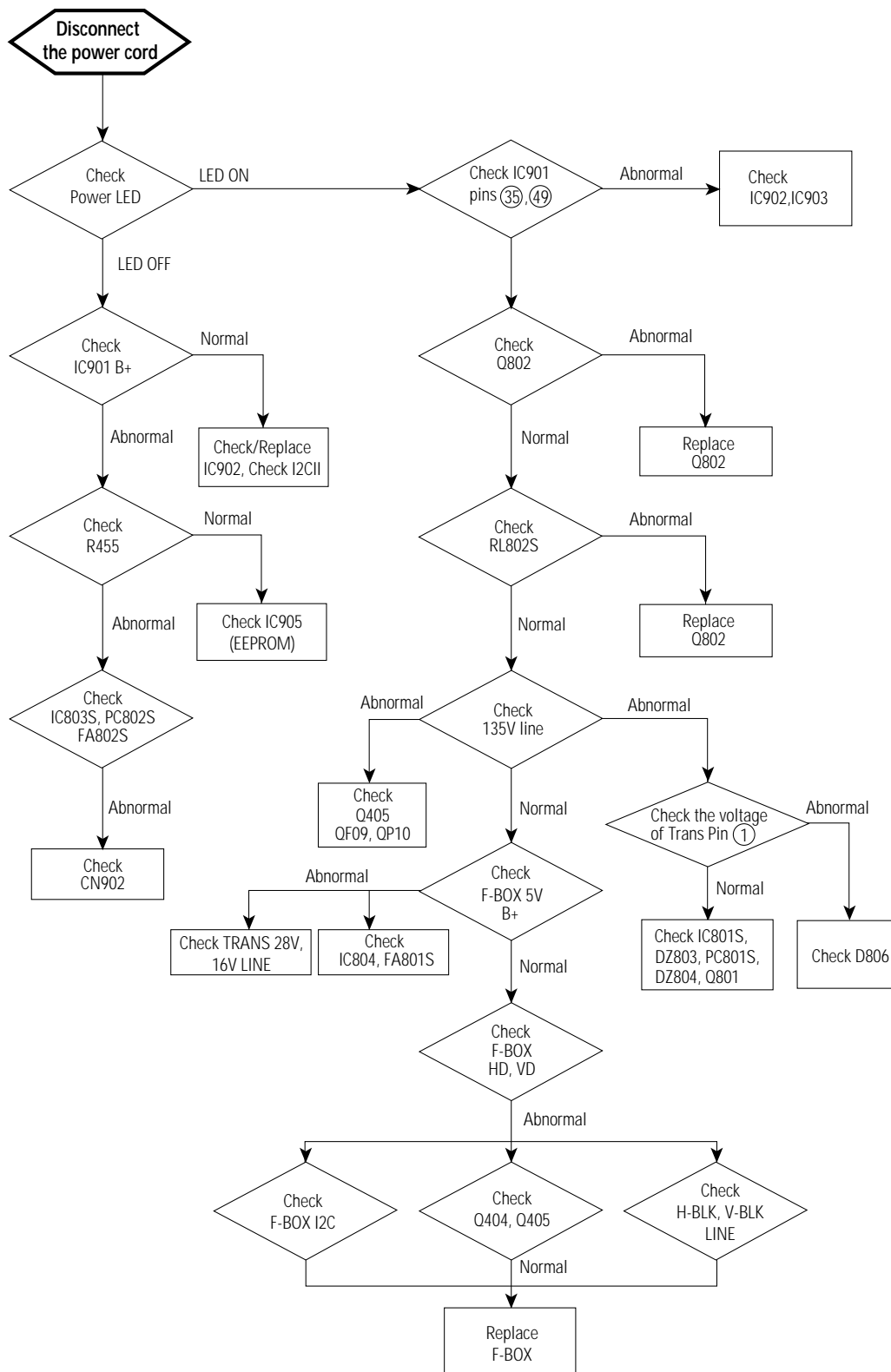
8. Block Diagrams

8-1 Voltage/Current Block

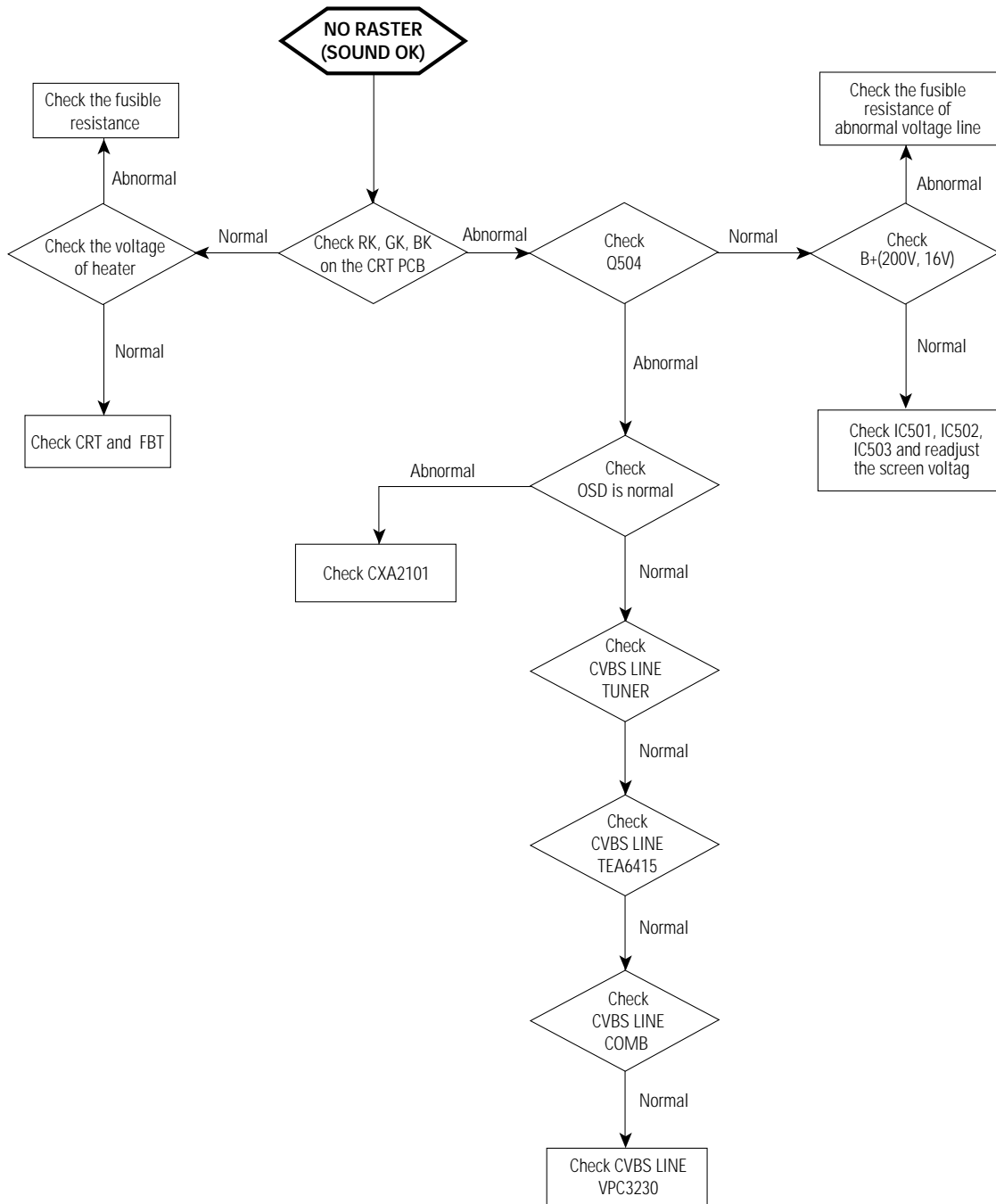


5. Troubleshooting

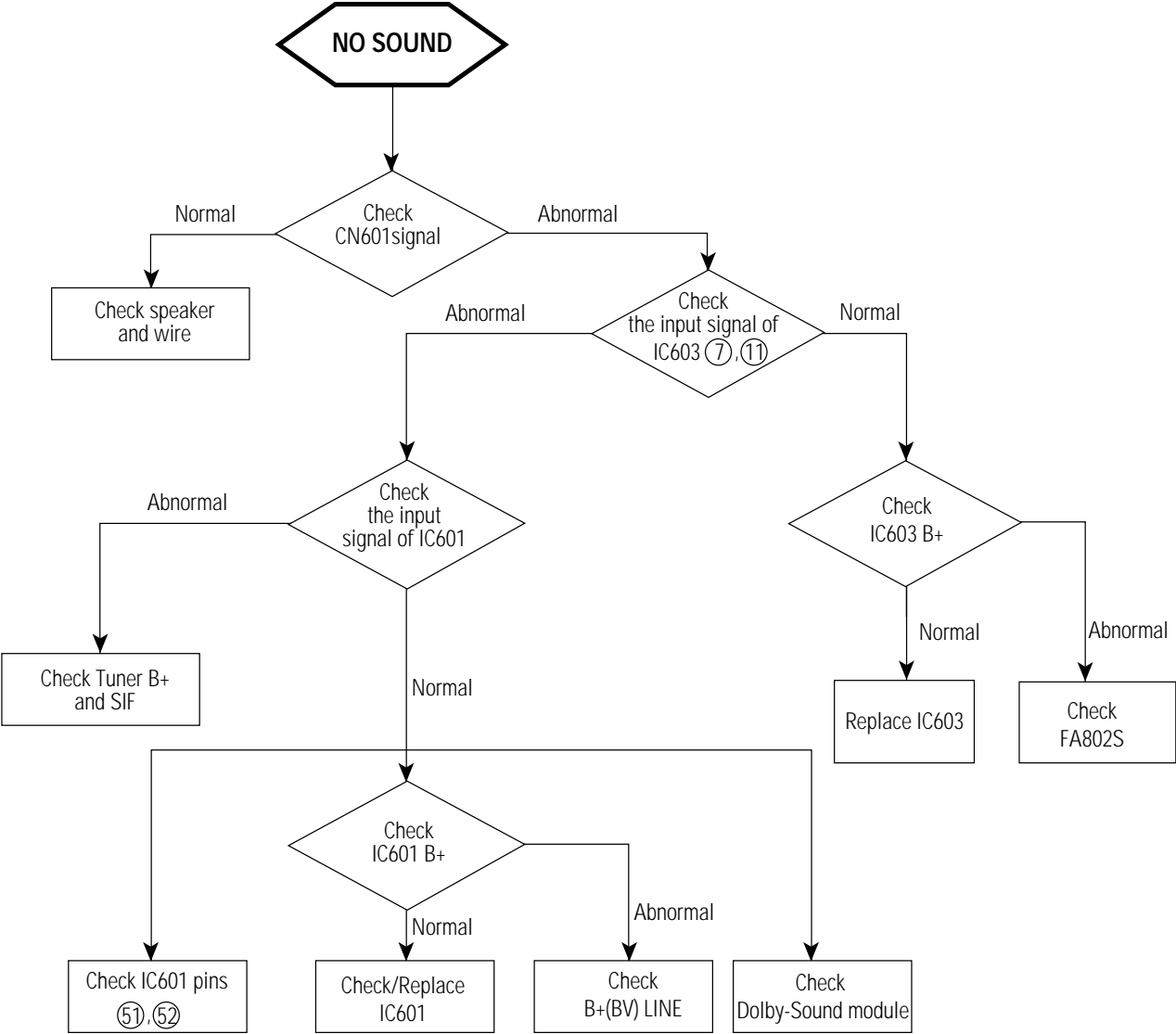
5-1 No Power



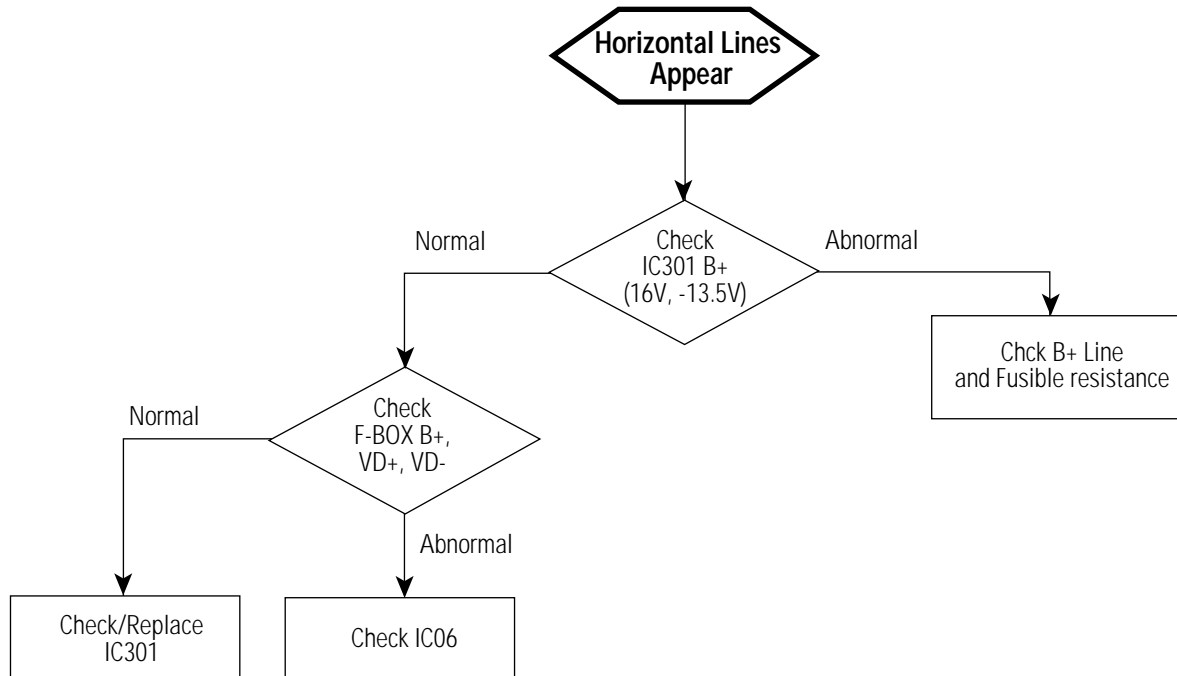
5-2 No Raster (Sound OK)



5-3 No Sound

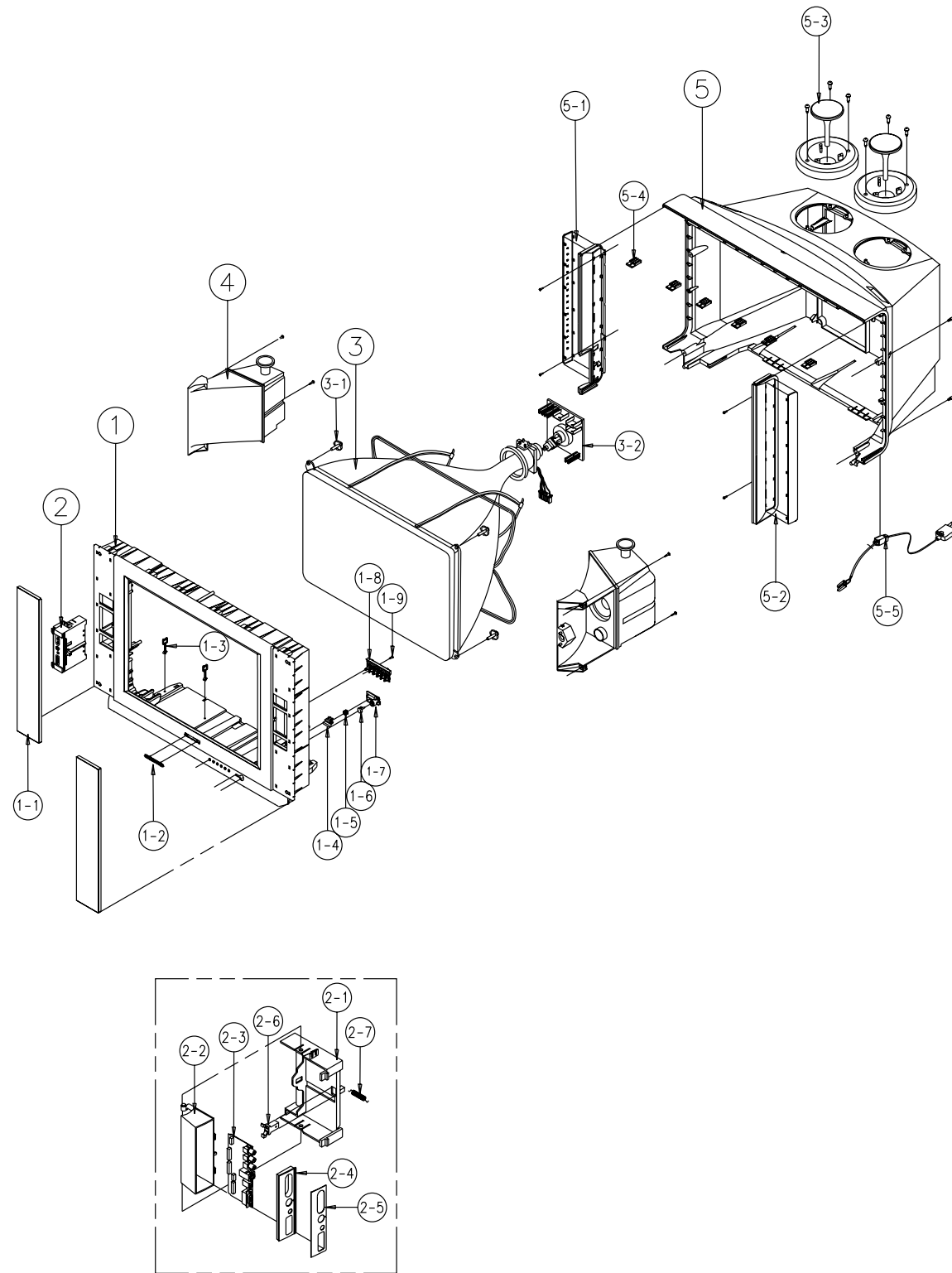


5-4 Horizontal Lines Appear on screen



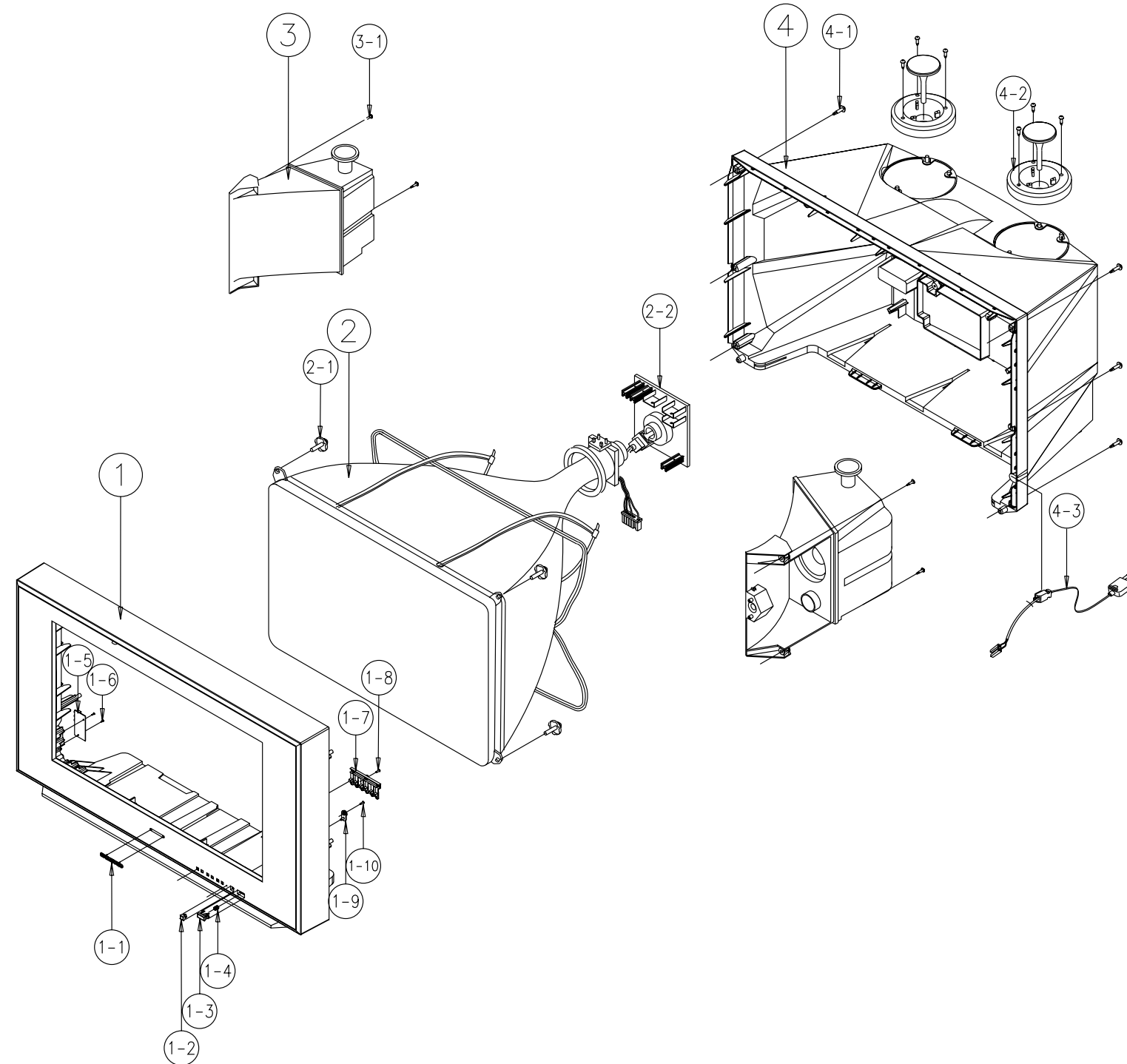
6. Exploded View & Parts List

6-1 TSK2792FX/XAA



No	Code No	Description	Specification	Q'ty	Remark
1	AA64-00627H	CABINET FRONT	;TSK2792F(29A7),S907P+D908P	1	
1-1	AA63-00229F	GRILLE-SPEAKER	;29A7,SV907P,HIPS,-,G4309,	2	
1-2	AA64-70117B	BADGE-BRAND	;AL,SS,SILVER,L65,R2000,-,-	1	
1-3	AA65-00011C	CLAMP-WIRE	;ALL MODEL,NYLON 66,V2,NTR,25M	3	
1-4	AA64-00635B	INDICATOR-LED	;-,29A7,6G,ACRYL,-,SMOG,-	1	
1-5	AA61-00343A	SPRING-CS	;-,SUS304,-,-,-,0.4,0D6,H12,N	1	
1-6	AA64-00632B	KNOB-POWER	;-,29A7,AL,ABS,HB,GRAY	1	
1-7	AA64-00634B	WINDOW-REMOCON	;-,29A7,-,PC,V0,VIOLET,-	1	
1-8	AA64-00630B	KNOB-CONTROL	;-,29A7,AL,ABS,HB,GRAY	1	
1-9	6003-001019	SCREW-TAPTITE	;RH,+ ,B,M4,L12,ZPC(BLK),SWR	2	
2	AA95-00744A	ASSY-PCB,A/V SIDE	;-,TSK2790FX/XAA,KS4A,N	1	
2-1	AA61-00397A	HOLDER-AV,HOUSING ASSY	;-,29A7 GN802P,ABS	1	
2-2	AA61-00200B	HOLDER-AV,CONTROL	;-,29A7,ABS,HB,G3676,GN	1	
2-3		PCB,A/V SIDE	;-,TSK2790FX/XAA,KS4A,N	1	
2-4	AA61-00396E	HOLDER-AV,COVER ASSY	;29A7,ABS,G3676,HB,-	1	
2-5	AA64-00636F	INLAY-SIDE,AV	;29A7,PS SHEET,-,-,BLK,-,KS	1	
2-6	AA61-30001A	LATCH-DOOR	;-, -,KIFUCO LA701,-	1	
2-7	AA61-60109B	SPRING-DOOR	;-,SUS304L,-,-,-,0.5,0D5,H8	1	
3	AA03-00076A	CRT-COLOR	;-,A68QCP891X004(C),+380MG,29IN	1	
3-1					
3-2	3704-001032	SOCKET-CRT	;8P,29PI,35.5PI,AU30U	1	
4	AA60-10050V	SCREW-ASSY	;WC,HH,+ ,M6,L30,SWRCH18A,ZPC(S	4	
5	AA91-00258G	ASSY CABINET BACK	;-,V0 BLK,SV907P,29A7	1	
5-1	AA63-00222A	COVER-SIDE,L ASSY	;-,29A7 GN802P+SV909A,6	1	
5-2	AA63-00176B	COVER-SIDE,R	;-,29A7,GN802P,HIPS,HB,G4309	1	
5-3		ASSY HOLDER SPK-PORT		1	
5-4	AA61-00201C	HOLDER-CABINET	;29A7,ABS,BLK,HB,-,-	6	
5-5	AA96-20129A	ASSY-POWER,CORD	;-,EP2/YES,H/C300,ME301P,	1	

6-2 TSK3092FX/XAA



No	Code No	Description	Specification	Q'ty	Remark
1	AA64-31331D	CABINET FRONT	32W2,S907+D908 SEA KS4A,HI	1	
1-1	AA64-70117B	BADGE-BRAND	;AL,SS,SILVER,L65,R2000,-,-	1	
1-2	AA64-40516B	WINDOW-REMOCON	;-29A6,-,PC,VO,VIOLET,-	1	
1-3	AA64-10792H	KNOB POWER	;32W2,ABS,-,G3676,S907+W971 NO	1	
1-4	AA61-60003J	SPRING-CS	;-SUS304,0.5,OD6,H12,N7,-,-,-	1	
1-5	AA95-00744B	ASSY-PCB,A/V SIDE	;-TSK3290FX/XAA,KS4A,N	1	
1-6	6003-001026	SCREW-TAPTITE	;RH,+B,M4,L15,ZPC(BLK),SWR	2	
1-7	AA64-10794C	KNOB CONTROL	;32W2,ABS,-,G3676,S907+W971,	1	
1-8	6003-001019	SCREW-TAPTITE	;RH,+B,M4,L12,ZPC(BLK),SWR	2	
2	AA03-00208A	CRT COLOR	;W76LPF350X95(C),-32WDDF,0.7mm	1	
2-1	AA60-20004A	UNT-SQUARE	;M8,-,ZPC(YEL),SCM20C,1C	4	
2-2	AA95-00646B	ASSY PCB CRT	;-KS4A,32',-CRT DRIVE,V/M,	1	
3	AA64-31332C	CABINET BACK	;32W2,-,HIPS,VO,BLK	1	
3-1	AA60-10050A	SCREW-ASSY	;WP,RH,+M4,L25,SWRCH18A,-,ZPC	4	
4	AA64-31332C	CABINET BACK	;32W2,-,HIPS,VO,BLK	1	
4-1	AA60-10050T	SCREW-TAPPING	;RH,+2S,M4,L20,ZPC(BLK),SW	8	
4-2	AA91-00087B	ASSY HOLDER SPK	;-ABS,HB,GRAY,SV704P,29A	2	
4-3	AA96-20129B	ASSY-POWER,CORD	;-EP2/YES,H/C400,ME301P,	1	

7. Electrical Parts List

7-1 TSK2790FX/XAA (TSK2790FX/XAA and TSK2792FX/XAA Dissimilar parts)

Loc. No.	Code No.	Description ; Specification	Remark	Loc. No.	Code No.	Description ; Specification	Remark
----------	----------	-----------------------------	--------	----------	----------	-----------------------------	--------

ASSY PCB MAIN(OPT)

* AA94-02684AASSY PCB MAIN(OPT);TSK2790FX/XAA,KS4A,U.S.A,-

ASSY CABINET FRONT

* AA91-00296KASSY CABINET FRONT;-;2970F KS4A,S907P+D908P BEST SEA,V0,G4309

AA63-00229DGRILLE-SPEAKER;29A7L,DB-004P,HIPS,-;G4309,HB
AA64-00627J CABINET FRONT;TSK2790F(29A7),S907P+D908P BEST,HIPS,V0,G4309

7-2 TSK2792FX/XAC (TSK2792FX/XAC and TSK2792FX/XAA Dissimilar parts)

Loc. No.	Code No.	Description ; Specification	Remark	Loc. No.	Code No.	Description ; Specification	Remark
----------	----------	-----------------------------	--------	----------	----------	-----------------------------	--------

ASSY PCB MAIN(OPT)

* AA94-02685BASSY PCB MAIN(OPT);TSK2792FX/XAC,KS4A,CANADA,-

CX01	2401-000480	C-AL;10uF;20%;50V;GP;TP;5x11,5	
DX03	0401-000005	DIODE-SWITCHING;1N4148,100V,200MA,DO-35,TP	
DZD01	0403-000700	DIODE-ZENER:TZP33A,33V,31-35V,1W,DO-41,TP	
DZD02	0403-000700	DIODE-ZENER:TZP33A,33V,31-35V,1W,DO-41,TP	
QX01	1203-001274	IC-VOL. DETECTOR;7545,TO-92,3P,-,PLASTIC,4.35/4	
RU01	2001-000281	R-CARBON;100OHM,5%,1/8W,AA,TP,1.8X3.2MM	
RX03	2001-000008	R-CARBON;15KOHM,5%,1/8W,AA,TP,1.8X3.2MM	

7-3 TSK2792FX/XAA

Loc. No.	Code No.	Description ; Specification	Remark	Loc. No.	Code No.	Description ; Specification	Remark
		ASSY PCB MAIN(OPT)					
		* AA94-02685AASSY PCB MAIN(OPT):TSK2792FX/XAA,KS4A,U.					
C670	2401-001840	C-AL:100uF,20%,16V,GP,TP,6.3x11,5		C623	2305-000665	C-FILM,MPEF:100nF,5%,63V,TP,7.5x4.0x5.0m	
CJ701A	3722-001426	JACK-RCA:9P,3.4mm,NI,BLK,-		C624	2401-002235	C-AL:10uF,20%,16V,GP,TP,5x11mm,5mm	
CJ704A	3722-001427	JACK-RCA:8P,3.4mm,NI,BLK,-		C625	2401-002235	C-AL:10uF,20%,16V,GP,TP,5x11mm,5mm	
△ IC603	1201-001026	IC-POWER AMP:7265,ZIP,1P,19.6MIL,DUAL,1	H/SINK	C626	2401-002235	C-AL:10uF,20%,16V,GP,TP,5x11mm,5mm	
△ IC804	1203-000203	IC-POSI.ADJUST REG.:3050,TO-220,5P,-,PLA	H/SINK	C627	2202-002037	C-CERAMIC,MLC-AXIAL:100nF,80-20%,50V,Y5P	
△ IC805	AA96-50382B	ASSY-H/S:-,AA62-30180C,SI-3050,-		C628	2401-002235	C-AL:10uF,20%,16V,GP,TP,5x11mm,5mm	
△ ICD603	AA96-50367A	ASSY-H/S:-,AA62-30181D,TDA7265,-		C629	2401-001840	C-AL:100uF,20%,16V,GP,TP,6.3x11,5	
J375	0401-000005	DIODE-SWITCHING:1N4148,100V,200MA,DO-35,		C630	2201-000558	C-CERAMIC,DISC:0.47nF,10%,50V,Y5P,TP,5x3	
JVS01	0401-000005	DIODE-SWITCHING:1N4148,100V,200MA,DO-35,		C631	2202-000286	C-CERAMIC,MLC-AXIAL:56pF,5%,50V,SL,TP,1.	
R215	0401-000005	DIODE-SWITCHING:1N4148,100V,200MA,DO-35,		C632	2202-000286	C-CERAMIC,MLC-AXIAL:56pF,5%,50V,SL,TP,1.	
	AA39-20536B	LEAD CONNECTOR-ASSY:-,-,-,-,-,-,-,-,-,-,-,F,		C633	2201-000304	C-CERAMIC,DISC:0.001nF,0.25pF,50V,NP0,TP	
	AA65-30104B	CLAMP-WIRE:NYLON 66,V2,BLK,W2 Z5,ALL MOD		C634	2201-000304	C-CERAMIC,DISC:0.001nF,0.25pF,50V,NP0,TP	
	2001-000734	R-CARBON:4.7KOHM,5%,1/8W,AA,TP,1.8X3.2M		C635	2401-000480	C-AL:10uF,20%,50V,GP,TP,5x11,5	
	0403-000700	DIODE-ZENER:TZP33A,33V,31-35V,1W,DO-41,T		C636	2401-000480	C-AL:10uF,20%,50V,GP,TP,5x11,5	
	AA39-20009D	LEAD CONNECTOR-ASSY:-,YFH800-01,-,1P,500		C637	2301-000232	C-FILM,PEF:3.3nF,5%,50V,TP,8.1x4.5x13mm,	
	AA39-30007A	IF-CABLE:-,T,100mm,1365#26		C638	2401-001840	C-AL:100uF,20%,16V,GP,TP,6.3x11,5	
	AA39-20015B	LEAD CONNECTOR-ASSY:-,67096-003,-,3(2)P,		C640	2401-001840	C-AL:100uF,20%,16V,GP,TP,6.3x11,5	
	AA39-20010C	LEAD CONNECTOR-ASSY:-,YFH800-01,S,1P,600		C642	2401-001840	C-AL:100uF,20%,16V,GP,TP,6.3x11,5	
	AA27-20002Q	COIL-DEGAUSSING:-,29,14ohm,70T,L3300,E		C643	2305-000665	C-FILM,MPEF:100nF,5%,63V,TP,7.5x4.0x5.0m	
CJ702A	3722-001163	JACK-VHS:4P,12mm,AU,BLK,N		C644	2401-002458	C-AL:1000uF,20%,35V,GP,TP,16x25,7,5	
CN501A	3711-003641	CONNECTOR-HEADER:BOX,12P,1R,2.5mm,STRAIG		C645	2305-000665	C-FILM,MPEF:100nF,5%,63V,TP,7.5x4.0x5.0m	
CN601	3711-003043	CONNECTOR-HEADER:BOX,4P,1R,2.5mm,STRAIGH		C646	2305-000665	C-FILM,MPEF:100nF,5%,63V,TP,7.5x4.0x5.0m	
CN702A	3711-003641	CONNECTOR-HEADER:BOX,12P,1R,2.5mm,STRAIG		C647	2401-002458	C-AL:1000uF,20%,35V,GP,TP,16x25,7,5	
CN803A	3711-003241	CONNECTOR-HEADER:BOX,14P,1R,2.5mm,STRAIG		C648	2401-000027	C-AL:4.7uF,20%,50V,GP,TP,5x11,5	
CN804A	3711-003241	CONNECTOR-HEADER:BOX,14P,1R,2.5mm,STRAIG		C649	2202-000183	C-CERAMIC,MLC-AXIAL:2.2NF,20%,16V,Y5R,TP	
△ IC601	1204-001594	IC-SOUND PROCESSOR:MSP3440G-B6,SDIP,52P,		C650	2401-000832	C-AL:220uF,20%,25V,GP,TP,8x11,5,5	
△ IC602	1201-000407	IC-POWER AMP:7050,DIP,8P,-,SINGLE,-,PLAS		C651	2401-000027	C-AL:4.7uF,20%,50V,GP,TP,5x11,5	
△ IC701	1001-001073	IC-VIDEO SWITCH:TEA6415C,VIDEO SWITCH,DI		C652	2202-000183	C-CERAMIC,MLC-AXIAL:2.2NF,20%,16V,Y5R,TP	
△ IC702	1001-001113	IC-AUDIO SWITCH:TEA6422,SOUND SWITCH ,SD		C653	2401-002216	C-AL:2200uF,20%,35V,GP,TP,16x25,7,5	
△ IC703	1002-001193	IC-A/D&D/A CONVERTER:PCF8591P,8bit,DIP,1		C654	2201-000119	C-CERAMIC,DISC:100nF,+80-20%,50V,Y5V,TP,	
△ IC801	1203-000165	IC-POSI.ADJUST REG.:78R12,TO-220,3P,-,-,		C655	2401-001840	C-AL:100uF,20%,16V,GP,TP,6.3x11,5	
△ IC802	1203-000293	IC-POSI.FIXED REG.:7808,TO-220,3P,-,PLAS	H/SINK	C656	2401-000603	C-AL:1uF,20%,50V,GP,TP,5x11,5	
△ IC803	1203-000298	IC-POSI.FIXED REG.:7809,TO-220,3P,-,PLAS	H/SINK	C657	2401-000962	C-AL:22uF,20%,50V,GP,TP,5x11,5	
△ IC905	1103-001213	IC-EEPROM:24C16,2048x8bit,SDIP,8P,307MIL		C659	2401-000480	C-AL:10uF,20%,50V,GP,TP,5x11,5	
△ ICD02	1201-000191	IC-OP AMP:4558,DIP,8P,300MIL,DUAL,20V/mV		C660	2301-000232	C-FILM,PEF:3.3nF,5%,50V,TP,8.1x4.5x13mm,	
△ ICH01	1204-001454	IC-VOLUME CONTROL:TDA7449L,DIP,20P,300MI		C661	2401-001840	C-AL:100uF,20%,16V,GP,TP,6.3x11,5	
△ TU01	AA40-00020A	TUNER-F/S:TCLN3181PA09A(S),NTSC,TR,181CH		C662	2305-000665	C-FILM,MPEF:100nF,5%,63V,TP,7.5x4.0x5.0m	
△ TUP01	AA40-00032A	TUNER-F/S:TCPN3081PC09A(S),NTSC,TR,181CH		C664	2401-001840	C-AL:100uF,20%,16V,GP,TP,6.3x11,5	
C101	2401-001840	C-AL:100uF,20%,16V,GP,TP,6.3x11,5		C701	2401-002235	C-AL:10uF,20%,16V,GP,TP,5x11mm,5mm	
C102	2202-002037	C-CERAMIC,MLC-AXIAL:100nF,80-20%,50V,Y5V		C702	2401-002235	C-AL:10uF,20%,16V,GP,TP,5x11mm,5mm	
C103	2401-001840	C-AL:100uF,20%,16V,GP,TP,6.3x11,5		C703	2401-002235	C-AL:10uF,20%,16V,GP,TP,5x11mm,5mm	
C104	2202-002037	C-CERAMIC,MLC-AXIAL:100nF,80-20%,50V,Y5V		C704	2401-002235	C-AL:10uF,20%,16V,GP,TP,5x11mm,5mm	
C105	2202-000127	C-CERAMIC,MLC-AXIAL:10nF,+80-20%,25V,Y5V		C705	2401-002235	C-AL:10uF,20%,16V,GP,TP,5x11mm,5mm	
C107	2401-000480	C-AL:10uF,20%,50V,GP,TP,5x11,5		C706	2401-002235	C-AL:10uF,20%,16V,GP,TP,5x11mm,5mm	
C108	2305-000665	C-FILM,MPEF:100nF,5%,63V,TP,7.5x4.0x5.0m		C708	2401-002235	C-AL:10uF,20%,16V,GP,TP,5x11mm,5mm	
C109	2401-000480	C-AL:10uF,20%,50V,GP,TP,5x11,5		C709	2401-002235	C-AL:10uF,20%,16V,GP,TP,5x11mm,5mm	
C110	2305-000665	C-FILM,MPEF:100nF,5%,63V,TP,7.5x4.0x5.0m		C710	2401-002235	C-AL:10uF,20%,16V,GP,TP,5x11mm,5mm	
C202	2401-001840	C-AL:100uF,20%,16V,GP,TP,6.3x11,5		C711	2401-002235	C-AL:10uF,20%,16V,GP,TP,5x11mm,5mm	
C203	2305-000665	C-FILM,MPEF:100nF,5%,63V,TP,7.5x4.0x5.0m		C712	2401-002235	C-AL:10uF,20%,16V,GP,TP,5x11mm,5mm	
C204	2401-001840	C-AL:100uF,20%,16V,GP,TP,6.3x11,5		C713	2401-002235	C-AL:10uF,20%,16V,GP,TP,5x11mm,5mm	
C205	2305-000665	C-FILM,MPEF:100nF,5%,63V,TP,7.5x4.0x5.0m		C714	2401-002235	C-AL:10uF,20%,16V,GP,TP,5x11mm,5mm	
C601	2401-000480	C-AL:10uF,20%,50V,GP,TP,5x11,5		C715	2401-001840	C-AL:100uF,20%,16V,GP,TP,6.3x11,5	
C602	2202-000222	C-CERAMIC,MLC-AXIAL:3.3nF,20%,16V,Y5P,TP		C716	2202-000121	C-CERAMIC,MLC-AXIAL:100pF,10%,50V,Y5P,TP	
C603	2301-000111	C-FILM,PEF:1.8nF,5%,50V,TP,6.5x3.0x5.5mm		C717	2202-000121	C-CERAMIC,MLC-AXIAL:100pF,10%,50V,Y5P,TP	
C604	2401-000480	C-AL:10uF,20%,50V,GP,TP,5x11,5		C718	2202-000121	C-CERAMIC,MLC-AXIAL:100pF,10%,50V,Y5P,TP	
C605	2202-000222	C-CERAMIC,MLC-AXIAL:3.3nF,20%,16V,Y5P,TP		C719	2202-000121	C-CERAMIC,MLC-AXIAL:100pF,10%,50V,Y5P,TP	
C606	2301-000111	C-FILM,PEF:1.8nF,5%,50V,TP,6.5x3.0x5.5mm		C720	2202-000121	C-CERAMIC,MLC-AXIAL:100pF,10%,50V,Y5P,TP	
C607	2401-000480	C-AL:10uF,20%,50V,GP,TP,5x11,5		C721	2202-000121	C-CERAMIC,MLC-AXIAL:100pF,10%,50V,Y5P,TP	
C608	2202-000796	C-CERAMIC,MLC-AXIAL:1NF,10%,50V,Y5P,TP,3		C722	2202-000121	C-CERAMIC,MLC-AXIAL:100pF,10%,50V,Y5P,TP	
C611	2202-000796	C-CERAMIC,MLC-AXIAL:1NF,10%,50V,Y5P,TP,3		C723	2202-000121	C-CERAMIC,MLC-AXIAL:100pF,10%,50V,Y5P,TP	
C616	2401-002235	C-AL:10uF,20%,16V,GP,TP,5x11mm,5mm		C724	2305-000355	C-FILM,MPEF:330nF,5%,63V,TP,-,5mm	
C617	2401-001840	C-AL:100uF,20%,16V,GP,TP,6.3x11,5		C725	2401-002235	C-AL:10uF,20%,16V,GP,TP,5x11mm,5mm	
C618	2201-000558	C-CERAMIC,DISC:0.47nF,10%,50V,Y5P,TP,5x3		C726	2401-002235	C-AL:10uF,20%,16V,GP,TP,5x11mm,5mm	
C619	2201-000374	C-CERAMIC,DISC:0.22nF,5%,50V,NP0,TP,10,5		C727	2401-002235	C-AL:10uF,20%,16V,GP,TP,5x11mm,5mm	
C620	2201-000112	C-CERAMIC,DISC:1.5nF,10%,50V,Y5V,TP,5x3.		C728	2305-000355	C-FILM,MPEF:330nF,5%,63V,TP,-,5mm	
C621	2401-002235	C-AL:10uF,20%,16V,GP,TP,5x11mm,5mm		C729	2401-002235	C-AL:10uF,20%,16V,GP,TP,5x11mm,5mm	
C622	2401-001026	C-AL:3.3UF,20%,50V,GP,TP,5X11,5		C730	2401-002235	C-AL:10uF,20%,16V,GP,TP,5x11mm,5mm	
				C731	2401-002235	C-AL:10uF,20%,16V,GP,TP,5x11mm,5mm	
				C732	2401-001840	C-AL:100uF,20%,16V,GP,TP,6.3x11,5	
				C733	2201-000982	C-CERAMIC,DISC:10nF,+80-20%,50V,Y5V,TP,4	
				C734	2401-001363	C-AL:470uF,20%,16V,GP,TP,10x12,5,5	
				C735	2401-001840	C-AL:100uF,20%,16V,GP,TP,6.3x11,5	

Loc. No.	Code No.	Description ; Specification	Remark	Loc. No.	Code No.	Description ; Specification	Remark
C738	2202-000121	C-CERAMIC,MLC-AXIAL:100pF,10%,50V,Y5P,TP		D602	0401-000005	DIODE-SWITCHING:1N4148,100V,200MA,DO-35,	
C739	2202-000121	C-CERAMIC,MLC-AXIAL:100pF,10%,50V,Y5P,TP		D603	0401-000005	DIODE-SWITCHING:1N4148,100V,200MA,DO-35,	
C740	2401-002235	C-AL:10uF,20%,16V,GP,TP,5x11mm,5mm		D604	0401-000005	DIODE-SWITCHING:1N4148,100V,200MA,DO-35,	
C741	2401-002235	C-AL:10uF,20%,16V,GP,TP,5x11mm,5mm		DG01	0401-000005	DIODE-SWITCHING:1N4148,100V,200MA,DO-35,	
C745	2401-001840	C-AL:100uF,20%,16V,GP,TP,6.3x11.5		DX01	0401-000005	DIODE-SWITCHING:1N4148,100V,200MA,DO-35,	
C746	2305-000665	C-FILM,MPEF:100nF,5%,63V,TP,7.5x4.0x5.0m		DX02	0401-000005	DIODE-SWITCHING:1N4148,100V,200MA,DO-35,	
C747	2401-000480	C-AL:10uF,20%,50V,GP,TP,5x11.5		DZ101	0403-000700	DIODE-ZENER:TZP33A,33V,31-35V,1W,DO-41,T	
C801	2401-000832	C-AL:220uF,20%,25V,GP,TP,8x11.5,5		DZ201	0403-001211	DIODE-ZENER:MTZJ12B,11.44-12.03V,500MW,D	
C802	2305-000665	C-FILM,MPEF:100nF,5%,63V,TP,7.5x4.0x5.0m		DZ202	0403-001320	DIODE-ZENER:MTZJ6.2C,6.12-6.44V,500mW,DO	
C803	2401-001363	C-AL:470uF,20%,16V,GP,TP,10x12.5,5		DZ203	0403-000367	DIODE-ZENER:UZ7.5BSC,7.5V,7.33-7.64V,500	
C804	2305-000665	C-FILM,MPEF:100nF,5%,63V,TP,7.5x4.0x5.0m		DZ601	0403-001316	DIODE-ZENER:MTZJ3.0A,2.85-3.07V,500mW,DO	
C805	2401-000832	C-AL:220uF,20%,25V,GP,TP,8x11.5,5		DZ602	0403-000367	DIODE-ZENER:UZ7.5BSC,7.5V,7.33-7.64V,500	
C806	2305-000665	C-FILM,MPEF:100nF,5%,63V,TP,7.5x4.0x5.0m		DZ603	0403-000367	DIODE-ZENER:UZ7.5BSC,7.5V,7.33-7.64V,500	
C807	2401-001363	C-AL:470uF,20%,16V,GP,TP,10x12.5,5		J312	3301-000287	CORE-FERRITE BEAD:AA,3.5x1.0x6.0mm,1500,	
C808	2305-000665	C-FILM,MPEF:100nF,5%,63V,TP,7.5x4.0x5.0m		L101	2701-000115	INDUCTOR-AXIAL:10uH,10%,3x7mm	
C809	2401-000832	C-AL:220uF,20%,25V,GP,TP,8x11.5,5		L102	2701-000114	INDUCTOR-AXIAL:10uH,10%,2.5x3.4mm	
C810	2305-000665	C-FILM,MPEF:100nF,5%,63V,TP,7.5x4.0x5.0m		L103	2701-000114	INDUCTOR-AXIAL:10uH,10%,2.5x3.4mm	
C811	2401-001363	C-AL:470uF,20%,16V,GP,TP,10x12.5,5		L104	2701-000116	INDUCTOR-AXIAL:10uH,10%,4.2x9.8mm	
C812	2305-000665	C-FILM,MPEF:100nF,5%,63V,TP,7.5x4.0x5.0m		L106	2701-000115	INDUCTOR-AXIAL:10uH,10%,3x7mm	
C813	2401-001363	C-AL:470uF,20%,16V,GP,TP,10x12.5,5		L601	2701-000170	INDUCTOR-AXIAL:3.9uH,10%,3x7mm	
C814	2305-000665	C-FILM,MPEF:100nF,5%,63V,TP,7.5x4.0x5.0m		L602	2701-000115	INDUCTOR-AXIAL:10uH,10%,3x7mm	
C815	2401-001363	C-AL:470uF,20%,16V,GP,TP,10x12.5,5		L603	2701-000115	INDUCTOR-AXIAL:10uH,10%,3x7mm	
C816	2305-000665	C-FILM,MPEF:100nF,5%,63V,TP,7.5x4.0x5.0m		L701	2701-000115	INDUCTOR-AXIAL:10uH,10%,3x7mm	
C819	2401-001363	C-AL:470uF,20%,16V,GP,TP,10x12.5,5		L702	2701-000114	INDUCTOR-AXIAL:10uH,10%,2.5x3.4mm	
C820	2305-000665	C-FILM,MPEF:100nF,5%,63V,TP,7.5x4.0x5.0m		L703	2701-000114	INDUCTOR-AXIAL:10uH,10%,2.5x3.4mm	
C825	2401-000287	C-AL:100uF,20%,16V,WVT,TP,6.3x11.5		L704	2701-000114	INDUCTOR-AXIAL:10uH,10%,2.5x3.4mm	
C901	2401-001840	C-AL:100uF,20%,16V,GP,TP,6.3x11.5		L705	2701-000114	INDUCTOR-AXIAL:10uH,10%,2.5x3.4mm	
C902	2305-000665	C-FILM,MPEF:100nF,5%,63V,TP,7.5x4.0x5.0m		L706	2701-000114	INDUCTOR-AXIAL:10uH,10%,2.5x3.4mm	
C903	2401-001840	C-AL:100uF,20%,16V,GP,TP,6.3x11.5		L707	2701-000114	INDUCTOR-AXIAL:10uH,10%,2.5x3.4mm	
C905	2401-001840	C-AL:100uF,20%,16V,GP,TP,6.3x11.5		L708	2701-000115	INDUCTOR-AXIAL:10uH,10%,3x7mm	
C906	2401-001840	C-AL:100uF,20%,16V,GP,TP,6.3x11.5		L709	2701-000114	INDUCTOR-AXIAL:10uH,10%,2.5x3.4mm	
C907	2305-000665	C-FILM,MPEF:100nF,5%,63V,TP,7.5x4.0x5.0m		L710	2701-000114	INDUCTOR-AXIAL:10uH,10%,2.5x3.4mm	
CD01	2401-002235	C-AL:10uF,20%,16V,GP,TP,5x11mm,5mm		L711	2701-000114	INDUCTOR-AXIAL:10uH,10%,2.5x3.4mm	
CD02	2401-002235	C-AL:10uF,20%,16V,GP,TP,5x11mm,5mm		L712	2701-000114	INDUCTOR-AXIAL:10uH,10%,2.5x3.4mm	
CD03	2401-002458	C-AL:1000uF,20%,35V,GP,TP,16x25,7.5		L801	2701-001040	INDUCTOR-AXIAL:10uH,10%,4.5x14mm	
CD04	2305-000665	C-FILM,MPEF:100nF,5%,63V,TP,7.5x4.0x5.0m		L802	2701-001040	INDUCTOR-AXIAL:10uH,10%,4.5x14mm	
CD05	2401-002458	C-AL:1000uF,20%,35V,GP,TP,16x25,7.5		L901	2701-000115	INDUCTOR-AXIAL:10uH,10%,3x7mm	
CD06	2401-002216	C-AL:2200uF,20%,35V,GP,TP,16x25,7.5		L902	2701-000114	INDUCTOR-AXIAL:10uH,10%,2.5x3.4mm	
CD07	2305-000665	C-FILM,MPEF:100nF,5%,63V,TP,7.5x4.0x5.0m		LG01	2701-000115	INDUCTOR-AXIAL:10uH,10%,3x7mm	
CD08	2305-000665	C-FILM,MPEF:100nF,5%,63V,TP,7.5x4.0x5.0m		LH01	2701-000170	INDUCTOR-AXIAL:3.9uH,10%,3x7mm	
CD09	2401-000027	C-AL:4.7uF,20%,50V,GP,TP,5x11.5		LP02	2701-000114	INDUCTOR-AXIAL:10uH,10%,2.5x3.4mm	
CD10	2202-000716	C-CERAMIC,MLC-AXIAL:1.8nF,20%,16V,Y5R,TP		LP03	2701-000114	INDUCTOR-AXIAL:10uH,10%,2.5x3.4mm	
CD11	2401-002459	C-AL:220uF,20%,25V,LZ,TP,10x16,5		LP04	2701-000116	INDUCTOR-AXIAL:10uH,10%,4.2x9.8mm	
CD12	2401-000027	C-AL:4.7uF,20%,50V,GP,TP,5x11.5		LP06	2701-000115	INDUCTOR-AXIAL:10uH,10%,3x7mm	
CD13	2202-000716	C-CERAMIC,MLC-AXIAL:1.8nF,20%,16V,Y5R,TP		LS07	2701-000115	INDUCTOR-AXIAL:10uH,10%,3x7mm	
CD14	2202-000796	C-CERAMIC,MLC-AXIAL:1nF,10%,50V,Y5P,TP,3		Q201	0501-000389	TR-SMALL SIGNAL:KSC815,NPN,400mW,TO-92,T	
CD15	2202-000796	C-CERAMIC,MLC-AXIAL:1nF,10%,50V,Y5P,TP,3		Q202	0501-000389	TR-SMALL SIGNAL:KSC815,NPN,400mW,TO-92,T	
CD16	2301-000111	C-FILM,PEF:1.8nF,5%,50V,TP,6.5x3.0x5.5mm		Q601	0501-000389	TR-SMALL SIGNAL:KSC815,NPN,400mW,TO-92,T	
CD17	2301-000111	C-FILM,PEF:1.8nF,5%,50V,TP,6.5x3.0x5.5mm		Q602	0501-000389	TR-SMALL SIGNAL:KSC815,NPN,400mW,TO-92,T	
CD18	2401-002235	C-AL:10uF,20%,16V,GP,TP,5x11mm,5mm		Q603	0501-000389	TR-SMALL SIGNAL:KSC815,NPN,400mW,TO-92,T	
CD19	2401-002235	C-AL:10uF,20%,16V,GP,TP,5x11mm,5mm		Q702	0501-000389	TR-SMALL SIGNAL:KSC815,NPN,400mW,TO-92,T	
CG01	2401-002235	C-AL:10uF,20%,16V,GP,TP,5x11mm,5mm		Q703	0501-000389	TR-SMALL SIGNAL:KSC815,NPN,400mW,TO-92,T	
CG02	2401-002235	C-AL:10uF,20%,16V,GP,TP,5x11mm,5mm		Q704	0501-000389	TR-SMALL SIGNAL:KSC815,NPN,400mW,TO-92,T	
CG03	2401-001840	C-AL:100uF,20%,16V,GP,TP,6.3x11.5		Q705	0501-000389	TR-SMALL SIGNAL:KSC815,NPN,400mW,TO-92,T	
CG04	2305-000665	C-FILM,MPEF:100nF,5%,63V,TP,7.5x4.0x5.0m		Q706	0501-000389	TR-SMALL SIGNAL:KSC815,NPN,400mW,TO-92,T	
CG05	2401-002235	C-AL:10uF,20%,16V,GP,TP,5x11mm,5mm		Q707	0501-000389	TR-SMALL SIGNAL:KSC815,NPN,400mW,TO-92,T	
CH01	2401-002235	C-AL:10uF,20%,16V,GP,TP,5x11mm,5mm		Q708	0501-000389	TR-SMALL SIGNAL:KSC815,NPN,400mW,TO-92,T	
CH02	2401-002235	C-AL:10uF,20%,16V,GP,TP,5x11mm,5mm		Q709	0501-000389	TR-SMALL SIGNAL:KSC815,NPN,400mW,TO-92,T	
CH03	2401-000480	C-AL:10uF,20%,50V,GP,TP,5x11.5		Q710	0501-000283	TR-SMALL SIGNAL:KSA539,PNP,400mW,TO-92,T	
CH04	2401-001840	C-AL:100uF,20%,16V,GP,TP,6.3x11.5		Q711	0501-000389	TR-SMALL SIGNAL:KSC815,NPN,400mW,TO-92,T	
CH05	2305-000665	C-FILM,MPEF:100nF,5%,63V,TP,7.5x4.0x5.0m		Q712	0504-000123	TR-DIGITAL:KSR1010,NPN,300mW,10K,TO-92,T	
CN901A	3711-002648	CONNECTOR-HEADER:BOX,9P,1R,2.5mm,STRAIGH		Q901	0504-000123	TR-DIGITAL:KSR1010,NPN,300mW,10K,TO-92,T	
CN902A	3711-002648	CONNECTOR-HEADER:BOX,9P,1R,2.5mm,STRAIGH		Q902	0504-000123	TR-DIGITAL:KSR1010,NPN,300mW,10K,TO-92,T	
CND01	3711-002644	CONNECTOR-HEADER:BOX,5P,1R,2.5mm,STRAIGH		OG01	0501-000389	TR-SMALL SIGNAL:KSC815,NPN,400mW,TO-92,T	
CND02	3711-002645	CONNECTOR-HEADER:BOX,6P,1R,2.5MM,STRAIGH		OG02	0501-000389	TR-SMALL SIGNAL:KSC815,NPN,400mW,TO-92,T	
CP03	2401-001840	C-AL:100uF,20%,16V,GP,TP,6.3x11.5		OG03	0504-000123	TR-DIGITAL:KSR1010,NPN,300mW,10K,TO-92,T	
CP04	2202-002037	C-CERAMIC,MLC-AXIAL:100nF,80-20%,50V,Y5V		R101	2001-001006	R-CARBON:820HM,5%,1/8W,AA,TP,1.8X3.2MM	
CP07	2401-000480	C-AL:10uF,20%,50V,GP,TP,5x11.5		R102	2001-000281	R-CARBON:1000HM,5%,1/8W,AA,TP,1.8X3.2MM	
CP08	2305-000665	C-FILM,MPEF:100nF,5%,63V,TP,7.5x4.0x5.0m		R103	2001-000429	R-CARBON:1KOHM,5%,1/8W,AA,TP,1.8X3.2MM	
CS02	2401-002235	C-AL:10uF,20%,16V,GP,TP,5x11mm,5mm		R110	2003-001093	R-METAL OXIDE(S):12Kohm,5%,2W,AF,TP,3.9x	
CS16	2401-002235	C-AL:10uF,20%,16V,GP,TP,5x11mm,5mm		R115	2001-001006	R-CARBON:820HM,5%,1/8W,AA,TP,1.8X3.2MM	
CS30	2401-001840	C-AL:100uF,20%,16V,GP,TP,6.3x11.5		R203	2001-000281	R-CARBON:1000HM,5%,1/8W,AA,TP,1.8X3.2MM	
CS31	2201-000982	C-CERAMIC,DISC:10nF,+80-20%,50V,Y5V,TP,4		R204	2001-000281	R-CARBON:1000HM,5%,1/8W,AA,TP,1.8X3.2MM	
D201	0401-000005	DIODE-SWITCHING:1N4148,100V,200MA,DO-35,		R205	2001-000281	R-CARBON:1000HM,5%,1/8W,AA,TP,1.8X3.2MM	
D202	0401-000005	DIODE-SWITCHING:1N4148,100V,200MA,DO-35,		R208	2001-000281	R-CARBON:1000HM,5%,1/8W,AA,TP,1.8X3.2MM	
D203	0401-000005	DIODE-SWITCHING:1N4148,100V,200MA,DO-35,		R209	2001-000281	R-CARBON:1000HM,5%,1/8W,AA,TP,1.8X3.2MM	
D601	0401-000005	DIODE-SWITCHING:1N4148,100V,200MA,DO-35,		R210	2701-000184	INDUCTOR-AXIAL:4.7uH,10%,2.5x3.4mm	

Electrical Parts List

Loc. No.	Code No.	Description ; Specification	Remark	Loc. No.	Code No.	Description ; Specification	Remark
R211	2701-000184	INDUCTOR-AXIAL:4.7uH,10%,2.5x3.4mm		R736	2001-000003	R-CARBON:330ohm,5%,1/8W,AA,TP,1.8x3.2mm	
R212	2001-000969	R-CARBON:750HM,5%,1/8W,AA,TP,1.8X3.2MM		R737	2001-000429	R-CARBON:1KOHM,5%,1/8W,AA,TP,1.8X3.2MM	
R213	2001-001006	R-CARBON:820HM,5%,1/8W,AA,TP,1.8X3.2MM		R738	2001-000429	R-CARBON:1KOHM,5%,1/8W,AA,TP,1.8X3.2MM	
R214	2001-000281	R-CARBON:1000HM,5%,1/8W,AA,TP,1.8X3.2MM		R739	2001-000281	R-CARBON:1000HM,5%,1/8W,AA,TP,1.8X3.2MM	
R216	2001-000281	R-CARBON:1000HM,5%,1/8W,AA,TP,1.8X3.2MM		R740	2001-000281	R-CARBON:1000HM,5%,1/8W,AA,TP,1.8X3.2MM	
R217	2001-000449	R-CARBON:2.2KOHM,5%,1/8W,AA,TP,1.8X3.2M		R741	2001-000281	R-CARBON:1000HM,5%,1/8W,AA,TP,1.8X3.2MM	
R218	2001-000290	R-CARBON:10KOHM,5%,1/8W,AA,TP,1.8X3.2MM		R742	2001-000281	R-CARBON:1000HM,5%,1/8W,AA,TP,1.8X3.2MM	
R219	2001-000290	R-CARBON:10KOHM,5%,1/8W,AA,TP,1.8X3.2MM		R743	2001-000281	R-CARBON:1000HM,5%,1/8W,AA,TP,1.8X3.2MM	
R220	2001-000522	R-CARBON:22KOHM,5%,1/8W,AA,TP,1.8X3.2MM		R744	2001-000281	R-CARBON:1000HM,5%,1/8W,AA,TP,1.8X3.2MM	
R230	2001-000449	R-CARBON:2.2KOHM,5%,1/8W,AA,TP,1.8X3.2M		R745	2001-000281	R-CARBON:1000HM,5%,1/8W,AA,TP,1.8X3.2MM	
R601	2001-000281	R-CARBON:1000HM,5%,1/8W,AA,TP,1.8X3.2MM		R746	2001-000281	R-CARBON:1000HM,5%,1/8W,AA,TP,1.8X3.2MM	
R602	2001-000281	R-CARBON:1000HM,5%,1/8W,AA,TP,1.8X3.2MM		R747	2001-000281	R-CARBON:1000HM,5%,1/8W,AA,TP,1.8X3.2MM	
R603	2001-000429	R-CARBON:1KOHM,5%,1/8W,AA,TP,1.8X3.2MM		R750	2001-000281	R-CARBON:1000HM,5%,1/8W,AA,TP,1.8X3.2MM	
R604	2001-000429	R-CARBON:1KOHM,5%,1/8W,AA,TP,1.8X3.2MM		R751	2001-000281	R-CARBON:1000HM,5%,1/8W,AA,TP,1.8X3.2MM	
R607	2001-000577	R-CARBON:2KOHM,5%,1/8W,AA,TP,1.8X3.2MM		R752	2001-000969	R-CARBON:750HM,5%,1/8W,AA,TP,1.8X3.2MM	
R608	2001-000591	R-CARBON:3.3KOHM,5%,1/8W,AA,TP,1.8X3.2M		R753	2001-000761	R-CARBON:4300HM,5%,1/8W,AA,TP,1.8X3.2MM	
R609	2001-000290	R-CARBON:10KOHM,5%,1/8W,AA,TP,1.8X3.2MM		R754	2001-000429	R-CARBON:1KOHM,5%,1/8W,AA,TP,1.8X3.2MM	
R610	2001-000591	R-CARBON:3.3KOHM,5%,1/8W,AA,TP,1.8X3.2M		R755	2001-000761	R-CARBON:4300HM,5%,1/8W,AA,TP,1.8X3.2MM	
R611	2001-000290	R-CARBON:10KOHM,5%,1/8W,AA,TP,1.8X3.2MM		R756	2001-000429	R-CARBON:1KOHM,5%,1/8W,AA,TP,1.8X3.2MM	
R614	2001-001187	R-CARBON(S):750HM,5%,1/2W,AA,TP,2.4X6.4M		R758	2001-000969	R-CARBON:750HM,5%,1/8W,AA,TP,1.8X3.2MM	
R615	2001-000290	R-CARBON:10KOHM,5%,1/8W,AA,TP,1.8X3.2MM		R759	2001-000969	R-CARBON:750HM,5%,1/8W,AA,TP,1.8X3.2MM	
R616	2001-001093	R-CARBON(S):2.2KOHM,5%,1/2W,AA,TP,2.4X6.4		R764	2001-000281	R-CARBON:1000HM,5%,1/8W,AA,TP,1.8X3.2MM	
R617	2001-001093	R-CARBON(S):2.2KOHM,5%,1/2W,AA,TP,2.4X6.4		R901	2001-000302	R-CARBON:100HM,5%,1/8W,AA,TP,1.8X3.2MM	
R618	2001-000786	R-CARBON:47KOHM,5%,1/8W,AA,TP,1.8X3.2MM		R902	2001-000302	R-CARBON:100HM,5%,1/8W,AA,TP,1.8X3.2MM	
R619	2001-001146	R-CARBON(S):4.70HM,5%,1/2W,AA,TP,2.4X6.4		R903	2001-000302	R-CARBON:100HM,5%,1/8W,AA,TP,1.8X3.2MM	
R620	2001-001093	R-CARBON(S):2.2KOHM,5%,1/2W,AA,TP,2.4X6.4		R904	2001-000302	R-CARBON:100HM,5%,1/8W,AA,TP,1.8X3.2MM	
R621	2001-001093	R-CARBON(S):2.2KOHM,5%,1/2W,AA,TP,2.4X6.4		R905	2001-000302	R-CARBON:100HM,5%,1/8W,AA,TP,1.8X3.2MM	
R622	2001-001146	R-CARBON(S):4.70HM,5%,1/2W,AA,TP,2.4X6.4		R906	2001-000281	R-CARBON:1000HM,5%,1/8W,AA,TP,1.8X3.2MM	
R623	2001-000786	R-CARBON:47KOHM,5%,1/8W,AA,TP,1.8X3.2MM		R907	2001-000281	R-CARBON:1000HM,5%,1/8W,AA,TP,1.8X3.2MM	
R624	2001-001050	R-CARBON(S):1.5KOHM,5%,1/2W,AA,TP,2.4X6.4		R908	2001-000281	R-CARBON:1000HM,5%,1/8W,AA,TP,1.8X3.2MM	
R625	2001-000780	R-CARBON:4700HM,5%,1/8W,AA,TP,1.8X3.2MM		R909	2001-000472	R-CARBON:2.7KOHM,5%,1/8W,AA,TP,1.8X3.2M	
R626	2001-001088	R-CARBON(S):1KOHM,5%,1/2W,AA,TP,2.4X6.4M		R910	2001-000281	R-CARBON:1000HM,5%,1/8W,AA,TP,1.8X3.2MM	
R627	2001-001088	R-CARBON(S):1KOHM,5%,1/2W,AA,TP,2.4X6.4M		RC01	2001-000281	R-CARBON:1000HM,5%,1/8W,AA,TP,1.8X3.2MM	
R628	2001-000290	R-CARBON:10KOHM,5%,1/8W,AA,TP,1.8X3.2MM		RC02	2001-000281	R-CARBON:1000HM,5%,1/8W,AA,TP,1.8X3.2MM	
R629	2001-000522	R-CARBON:22KOHM,5%,1/8W,AA,TP,1.8X3.2MM		RC103	2001-000969	R-CARBON:750HM,5%,1/8W,AA,TP,1.8X3.2MM	
R630	2001-000290	R-CARBON:10KOHM,5%,1/8W,AA,TP,1.8X3.2MM		RD02	2001-000734	R-CARBON:4.7KOHM,5%,1/8W,AA,TP,1.8X3.2M	
R631	2001-000273	R-CARBON:100KOHM,5%,1/8W,AA,TP,1.8X3.2M		RD03	2001-000734	R-CARBON:4.7KOHM,5%,1/8W,AA,TP,1.8X3.2M	
R632	2001-000290	R-CARBON:10KOHM,5%,1/8W,AA,TP,1.8X3.2MM		RD10	2001-001093	R-CARBON(S):2.2KOHM,5%,1/2W,AA,TP,2.4X6.4	
R635	2001-000290	R-CARBON:10KOHM,5%,1/8W,AA,TP,1.8X3.2MM		RD11	2001-001093	R-CARBON(S):2.2KOHM,5%,1/2W,AA,TP,2.4X6.4	
R636	2001-000290	R-CARBON:10KOHM,5%,1/8W,AA,TP,1.8X3.2MM		RD12	2001-001146	R-CARBON(S):4.70HM,5%,1/2W,AA,TP,2.4X6.4	
R637	2001-000780	R-CARBON:4700HM,5%,1/8W,AA,TP,1.8X3.2MM		RD13	2001-000786	R-CARBON:47KOHM,5%,1/8W,AA,TP,1.8X3.2MM	
R638	2001-000290	R-CARBON:10KOHM,5%,1/8W,AA,TP,1.8X3.2MM		RD14	2001-001093	R-CARBON(S):2.2KOHM,5%,1/2W,AA,TP,2.4X6.4	
R639	2001-000290	R-CARBON:10KOHM,5%,1/8W,AA,TP,1.8X3.2MM		RD15	2001-001146	R-CARBON(S):4.70HM,5%,1/2W,AA,TP,2.4X6.4	
R701	2001-000429	R-CARBON:1KOHM,5%,1/8W,AA,TP,1.8X3.2MM		RD16	2001-001093	R-CARBON(S):2.2KOHM,5%,1/2W,AA,TP,2.4X6.4	
R702	2001-000429	R-CARBON:1KOHM,5%,1/8W,AA,TP,1.8X3.2MM		RD17	2001-000786	R-CARBON:47KOHM,5%,1/8W,AA,TP,1.8X3.2MM	
R703	2001-000429	R-CARBON:1KOHM,5%,1/8W,AA,TP,1.8X3.2MM		RD18	2001-000780	R-CARBON:4700HM,5%,1/8W,AA,TP,1.8X3.2MM	
R704	2001-000429	R-CARBON:1KOHM,5%,1/8W,AA,TP,1.8X3.2MM		RD19	2001-001088	R-CARBON(S):1KOHM,5%,1/2W,AA,TP,2.4X6.4M	
R705	2001-000429	R-CARBON:1KOHM,5%,1/8W,AA,TP,1.8X3.2MM		RD20	2001-001088	R-CARBON(S):1KOHM,5%,1/2W,AA,TP,2.4X6.4M	
R706	2001-000429	R-CARBON:1KOHM,5%,1/8W,AA,TP,1.8X3.2MM		RD21	2001-000780	R-CARBON:4700HM,5%,1/8W,AA,TP,1.8X3.2MM	
R707	2001-000331	R-CARBON:12KOHM,5%,1/8W,AA,TP,1.8X3.2MM		RD22	2001-001108	R-CARBON(S):2.2KOHM,5%,1/2W,AA,TP,2.4X6.4	
R708	2001-000947	R-CARBON:7.5KOHM,5%,1/8W,AA,TP,1.8X3.2M		RD23	2001-001108	R-CARBON(S):2.2KOHM,5%,1/2W,AA,TP,2.4X6.4	
R709	2001-000947	R-CARBON:7.5KOHM,5%,1/8W,AA,TP,1.8X3.2M		RD24	2001-000780	R-CARBON:4700HM,5%,1/8W,AA,TP,1.8X3.2MM	
R710	2001-000947	R-CARBON:7.5KOHM,5%,1/8W,AA,TP,1.8X3.2M		RD25	2001-000780	R-CARBON:4700HM,5%,1/8W,AA,TP,1.8X3.2MM	
R711	2001-000522	R-CARBON:22KOHM,5%,1/8W,AA,TP,1.8X3.2MM		RD26	2001-001050	R-CARBON(S):1.5KOHM,5%,1/2W,AA,TP,2.4X6.4	
R713	2001-000472	R-CARBON:2.7KOHM,5%,1/8W,AA,TP,1.8X3.2M		RD27	2001-000786	R-CARBON:47KOHM,5%,1/8W,AA,TP,1.8X3.2MM	
R714	2001-000290	R-CARBON:10KOHM,5%,1/8W,AA,TP,1.8X3.2MM		RD28	2001-000786	R-CARBON:47KOHM,5%,1/8W,AA,TP,1.8X3.2MM	
R715	2001-000554	R-CARBON:2700HM,5%,1/8W,AA,TP,1.8X3.2MM		RD29	2001-000290	R-CARBON:10KOHM,5%,1/8W,AA,TP,1.8X3.2MM	
R716	2001-000780	R-CARBON:4700HM,5%,1/8W,AA,TP,1.8X3.2MM		RD30	2001-000290	R-CARBON:10KOHM,5%,1/8W,AA,TP,1.8X3.2MM	
R717	2001-000554	R-CARBON:2700HM,5%,1/8W,AA,TP,1.8X3.2MM		RD31	2001-000786	R-CARBON:47KOHM,5%,1/8W,AA,TP,1.8X3.2MM	
R718	2001-000429	R-CARBON:1KOHM,5%,1/8W,AA,TP,1.8X3.2MM		RD32	2001-000786	R-CARBON:47KOHM,5%,1/8W,AA,TP,1.8X3.2MM	
R719	2001-000281	R-CARBON:1000HM,5%,1/8W,AA,TP,1.8X3.2MM		RG01	2001-000290	R-CARBON:10KOHM,5%,1/8W,AA,TP,1.8X3.2MM	
R720	2001-000938	R-CARBON:680HM,5%,1/8W,AA,TP,1.8X3.2MM		RG02	2001-000734	R-CARBON:4.7KOHM,5%,1/8W,AA,TP,1.8X3.2M	
R721	2001-000429	R-CARBON:1KOHM,5%,1/8W,AA,TP,1.8X3.2MM		RG03	2001-000429	R-CARBON:1KOHM,5%,1/8W,AA,TP,1.8X3.2MM	
R722	2001-000969	R-CARBON:750HM,5%,1/8W,AA,TP,1.8X3.2MM		RG04	2001-000290	R-CARBON:10KOHM,5%,1/8W,AA,TP,1.8X3.2MM	
R723	2001-000969	R-CARBON:750HM,5%,1/8W,AA,TP,1.8X3.2MM		RG05	2001-000734	R-CARBON:4.7KOHM,5%,1/8W,AA,TP,1.8X3.2M	
R724	2001-000969	R-CARBON:750HM,5%,1/8W,AA,TP,1.8X3.2MM		RG06	2001-000429	R-CARBON:1KOHM,5%,1/8W,AA,TP,1.8X3.2MM	
R725	2001-000429	R-CARBON:1KOHM,5%,1/8W,AA,TP,1.8X3.2MM		RG08	2001-000734	R-CARBON:4.7KOHM,5%,1/8W,AA,TP,1.8X3.2M	
R726	2001-000429	R-CARBON:1KOHM,5%,1/8W,AA,TP,1.8X3.2MM		RHO1	2001-000281	R-CARBON:1000HM,5%,1/8W,AA,TP,1.8X3.2MM	
R727	2001-000429	R-CARBON:1KOHM,5%,1/8W,AA,TP,1.8X3.2MM		RHO2	2001-000281	R-CARBON:1000HM,5%,1/8W,AA,TP,1.8X3.2MM	
R728	2001-000429	R-CARBON:1KOHM,5%,1/8W,AA,TP,1.8X3.2MM		RX01	2001-001114	R-CARBON(S):2700HM,5%,1/2W,AA,TP,2.4X6.4	
R729	2001-000429	R-CARBON:1KOHM,5%,1/8W,AA,TP,1.8X3.2MM		RX02	2001-001178	R-CARBON(S):6800HM,5%,1/2W,AA,TP,2.4X6.4	
R730	2001-000969	R-CARBON:750HM,5%,1/8W,AA,TP,1.8X3.2MM		X601	2801-003903	CRYSTAL-UNIT:18.432MHz,25ppm,28-AAAM,12pF	
R731	2001-000429	R-CARBON:1KOHM,5%,1/8W,AA,TP,1.8X3.2MM					
R732	2001-000429	R-CARBON:1KOHM,5%,1/8W,AA,TP,1.8X3.2MM					
R733	2001-000429	R-CARBON:1KOHM,5%,1/8W,AA,TP,1.8X3.2MM					
R734	2001-000281	R-CARBON:1000HM,5%,1/8W,AA,TP,1.8X3.2MM					
R735	2001-000003	R-CARBON:330ohm,5%,1/8W,AA,TP,1.8x3.2mm					

Loc. No.	Code No.	Description ; Specification	Remark
----------	----------	-----------------------------	--------

ASSY-PCB,NTSC MICOM

* AA95-00745A ASSY-PCB,NTSC MICOM: -,TSK2790FX/XAA,KS4A

C901	2202-000121	C-CERAMIC,MLC-AXIAL:100pF,10%,50V,Y5P,TP	
C902	2301-000111	C-FILM,PEF:1.8nF,5%,50V,TP,6.5x3.0x5.5mm	
C903	2401-002144	C-AL:47uF,20%,16V,GP,TP,5x11,5	
C904	2305-000665	C-FILM,MPEF:100nF,5%,63V,TP,7.5x4.0x5.0mm	
C905	2202-000796	C-CERAMIC,MLC-AXIAL:1NF,10%,50V,Y5P,TP,3	
C906	2202-000796	C-CERAMIC,MLC-AXIAL:1NF,10%,50V,Y5P,TP,3	
C907	2401-001840	C-AL:100uF,20%,16V,GP,TP,6.3x11,5	
C908	2305-000665	C-FILM,MPEF:100nF,5%,63V,TP,7.5x4.0x5.0mm	
C910	2201-000193	C-CERAMIC,DISC:0.01nF,0.25pF,50V,NP0,TP	
C911	2201-000573	C-CERAMIC,DISC:0.047nF,5%,50V,NP0,TP,5x3	
C912	2401-001840	C-AL:100uF,20%,16V,GP,TP,6.3x11,5	
C913	2305-000665	C-FILM,MPEF:100nF,5%,63V,TP,7.5x4.0x5.0mm	
C914	2305-000665	C-FILM,MPEF:100nF,5%,63V,TP,7.5x4.0x5.0mm	
C915	2401-000027	C-AL:4.7uF,20%,50V,GP,TP,5x11,5	
C916	2401-001840	C-AL:100uF,20%,16V,GP,TP,6.3x11,5	
C917	2305-000665	C-FILM,MPEF:100nF,5%,63V,TP,7.5x4.0x5.0mm	
CN901	3711-003215	CONNECTOR-HEADER:NOWALL,18P,1R,2.5MM,ANG	
CN902	3711-003543	CONNECTOR-HEADER:NOWALL,16P,1R,2.54MM,ANG	
CN903	AA61-10068A	BRACKET-PCB: -,M2160,SPT,TO,3,-,-,-	
CN904	AA61-10068A	BRACKET-PCB: -,M2160,SPT,TO,3,-,-,-	
D901	0401-000005	DIODE-SWITCHING:1N4148,100V,200MA,DO-35,	
D903	0401-000005	DIODE-SWITCHING:1N4148,100V,200MA,DO-35,	
DZ901	0403-000508	DIODE-ZENER:MTZJ5.6B,5.6V,5.45-5.73V,500	
DZ902	0403-000508	DIODE-ZENER:MTZJ5.6B,5.6V,5.45-5.73V,500	
DZ903	0403-000508	DIODE-ZENER:MTZJ5.6B,5.6V,5.45-5.73V,500	
DZ904	0403-000508	DIODE-ZENER:MTZJ5.6B,5.6V,5.45-5.73V,500	
DZ905	0403-000508	DIODE-ZENER:MTZJ5.6B,5.6V,5.45-5.73V,500	
DZ906	0403-000508	DIODE-ZENER:MTZJ5.6B,5.6V,5.45-5.73V,500	
IC901	AA13-00012A	IC-MCU:Z9037112PSC-OTPTP,ST,64kword	
IC902	1203-000515	IC-VOL. DETECTOR:7042,TO-92,3P,177MIL,PL	
L901	2901-000297	FILTER-EMI ON BOARD: -,3A,-,-,3.5x5,TP-	
L902	2901-000297	FILTER-EMI ON BOARD: -,3A,-,-,3.5x5,TP-	
L903	2701-000114	INDUCTOR-AXIAL:10uH,10%,2.5x3.4mm	
L906	2701-000114	INDUCTOR-AXIAL:10uH,10%,2.5x3.4mm	
L908	2901-000297	FILTER-EMI ON BOARD: -,3A,-,-,3.5x5,TP-	
Q901	0501-000389	TR-SMALL SIGNAL:KSC815,NPN,400mW,TO-92,T	
Q902	0501-000389	TR-SMALL SIGNAL:KSC815,NPN,400mW,TO-92,T	
Q903	0501-000283	TR-SMALL SIGNAL:KSA539,NPN,400mW,TO-92,T	
Q904	0501-000389	TR-SMALL SIGNAL:KSC815,NPN,400mW,TO-92,T	
R901	2001-000734	R-CARBON:4.7KOHM,5%,1/8W,AA,TP,1.8X3.2MM	
R902	2001-000734	R-CARBON:4.7KOHM,5%,1/8W,AA,TP,1.8X3.2MM	
R903	2001-000734	R-CARBON:4.7KOHM,5%,1/8W,AA,TP,1.8X3.2MM	
R905	2001-000780	R-CARBON:4700HM,5%,1/8W,AA,TP,1.8X3.2MM	
R906	2001-000290	R-CARBON:10KOHM,5%,1/8W,AA,TP,1.8X3.2MM	
R907	2001-000734	R-CARBON:4.7KOHM,5%,1/8W,AA,TP,1.8X3.2MM	
R908	2001-000290	R-CARBON:10KOHM,5%,1/8W,AA,TP,1.8X3.2MM	
R909	2001-000786	R-CARBON:47KOHM,5%,1/8W,AA,TP,1.8X3.2MM	
R910	2001-000281	R-CARBON:100OHM,5%,1/8W,AA,TP,1.8X3.2MM	
R911	2001-000281	R-CARBON:100OHM,5%,1/8W,AA,TP,1.8X3.2MM	
R912	2001-000947	R-CARBON:7.5KOHM,5%,1/8W,AA,TP,1.8X3.2MM	
R913	2001-000947	R-CARBON:7.5KOHM,5%,1/8W,AA,TP,1.8X3.2MM	
R914	2001-000734	R-CARBON:4.7KOHM,5%,1/8W,AA,TP,1.8X3.2MM	
R915	2001-000241	R-CARBON:1.5KOHM,5%,1/8W,AA,TP,1.8X3.2MM	
R916	2001-000290	R-CARBON:10KOHM,5%,1/8W,AA,TP,1.8X3.2MM	
R917	2001-000281	R-CARBON:100OHM,5%,1/8W,AA,TP,1.8X3.2MM	
R918	2001-000241	R-CARBON:1.5KOHM,5%,1/8W,AA,TP,1.8X3.2MM	
R919	2001-000290	R-CARBON:10KOHM,5%,1/8W,AA,TP,1.8X3.2MM	
R920	2001-000780	R-CARBON:4700HM,5%,1/8W,AA,TP,1.8X3.2MM	
R921	2001-000290	R-CARBON:10KOHM,5%,1/8W,AA,TP,1.8X3.2MM	
R922	2001-000241	R-CARBON:1.5KOHM,5%,1/8W,AA,TP,1.8X3.2MM	
R923	2001-000734	R-CARBON:4.7KOHM,5%,1/8W,AA,TP,1.8X3.2MM	
R924	2001-000734	R-CARBON:4.7KOHM,5%,1/8W,AA,TP,1.8X3.2MM	
R925	2001-000734	R-CARBON:4.7KOHM,5%,1/8W,AA,TP,1.8X3.2MM	
R926	2001-000577	R-CARBON:2KOHM,5%,1/8W,AA,TP,1.8X3.2MM	
R927	2001-000577	R-CARBON:2KOHM,5%,1/8W,AA,TP,1.8X3.2MM	
R928	2001-000577	R-CARBON:2KOHM,5%,1/8W,AA,TP,1.8X3.2MM	
R930	2001-000429	R-CARBON:1KOHM,5%,1/8W,AA,TP,1.8X3.2MM	
R931	2001-000591	R-CARBON:3.3KOHM,5%,1/8W,AA,TP,1.8X3.2MM	
R932	2001-000290	R-CARBON:10KOHM,5%,1/8W,AA,TP,1.8X3.2MM	
R933	2001-000591	R-CARBON:3.3KOHM,5%,1/8W,AA,TP,1.8X3.2MM	
R934	2001-000429	R-CARBON:1KOHM,5%,1/8W,AA,TP,1.8X3.2MM	
R935	2001-000591	R-CARBON:3.3KOHM,5%,1/8W,AA,TP,1.8X3.2MM	

Loc. No.	Code No.	Description ; Specification	Remark
----------	----------	-----------------------------	--------

R936	2001-000290	R-CARBON:10KOHM,5%,1/8W,AA,TP,1.8X3.2MM	
R937	2001-000281	R-CARBON:100OHM,5%,1/8W,AA,TP,1.8X3.2MM	
R938	2001-000281	R-CARBON:100OHM,5%,1/8W,AA,TP,1.8X3.2MM	
R939	2001-000449	R-CARBON:2.2KOHM,5%,1/8W,AA,TP,1.8X3.2MM	
R940	2001-000449	R-CARBON:2.2KOHM,5%,1/8W,AA,TP,1.8X3.2MM	
R941	2001-000429	R-CARBON:1KOHM,5%,1/8W,AA,TP,1.8X3.2MM	
R942	2001-000734	R-CARBON:4.7KOHM,5%,1/8W,AA,TP,1.8X3.2MM	
R943	2001-001062	R-CARBON(S):10MOHM,5%,1/2W,AA,TP,2.4X6.4	
R944	2001-000864	R-CARBON:56KOHM,5%,1/8W,AA,TP,1.8X3.2MM	
R945	2001-000734	R-CARBON:4.7KOHM,5%,1/8W,AA,TP,1.8X3.2MM	
R946	2001-000281	R-CARBON:100OHM,5%,1/8W,AA,TP,1.8X3.2MM	
R947	2001-000734	R-CARBON:4.7KOHM,5%,1/8W,AA,TP,1.8X3.2MM	
R948	2001-000290	R-CARBON:10KOHM,5%,1/8W,AA,TP,1.8X3.2MM	
R949	2001-000780	R-CARBON:4700HM,5%,1/8W,AA,TP,1.8X3.2MM	
R950	2001-000429	R-CARBON:1KOHM,5%,1/8W,AA,TP,1.8X3.2MM	
R952	2001-000429	R-CARBON:1KOHM,5%,1/8W,AA,TP,1.8X3.2MM	
R953	2001-000429	R-CARBON:1KOHM,5%,1/8W,AA,TP,1.8X3.2MM	
R954	2001-000780	R-CARBON:4700HM,5%,1/8W,AA,TP,1.8X3.2MM	
R955	2001-000411	R-CARBON:18KOHM,5%,1/8W,AA,TP,1.8X3.2MM	
R956	2001-000290	R-CARBON:10KOHM,5%,1/8W,AA,TP,1.8X3.2MM	
R959	2001-000429	R-CARBON:1KOHM,5%,1/8W,AA,TP,1.8X3.2MM	
R960	2001-000281	R-CARBON:100OHM,5%,1/8W,AA,TP,1.8X3.2MM	
R961	2001-000008	R-CARBON:15KOHM,5%,1/8W,AA,TP,1.8X3.2MM	
R962	2001-000832	R-CARBON:5100HM,5%,1/8W,AA,TP,1.8X3.2MM	
X901	2801-003224	CRYSTAL-UNIT:32.768KHZ,20PPM,28-AA,Y,12.5	

ASSY-PCB,A/V SIDE

* AA95-00744A ASSY-PCB,A/V SIDE: -,TSK2790FX/XAA,KS4A,N

C701	2202-000231	C-CERAMIC,MLC-AXIAL:330pF,10%,50V,Y5P,TP	
C702	2202-000231	C-CERAMIC,MLC-AXIAL:330pF,10%,50V,Y5P,TP	
C705	2202-000121	C-CERAMIC,MLC-AXIAL:100pF,10%,50V,Y5P,TP	
C706	2202-000263	C-CERAMIC,MLC-AXIAL:470pF,10%,50V,Y5P,TP	
C707	2202-000263	C-CERAMIC,MLC-AXIAL:470pF,10%,50V,Y5P,TP	
C708	2202-000121	C-CERAMIC,MLC-AXIAL:100pF,10%,50V,Y5P,TP	
CN701A	AA39-20159B	LEAD CONNECTOR-ASSY: -, -, -, -, -, -, -, YB	
JA701A	3722-001031	JACK-RCA:3P,3.6MM,#18,AU	
JA702A	3722-001163	JACK-VHS:4P,12mm,AU,BLK,N	
JA703A	3722-000143	JACK-PHONE:1P(VER),3.4mm,AG,BLK,NO	
L706	2901-000297	FILTER-EMI ON BOARD: -,3A,-,-,3.5x5,TP-	
L707	2901-000297	FILTER-EMI ON BOARD: -,3A,-,-,3.5x5,TP-	
L708	2901-000297	FILTER-EMI ON BOARD: -,3A,-,-,3.5x5,TP-	
L709	2901-000297	FILTER-EMI ON BOARD: -,3A,-,-,3.5x5,TP-	
R706	2001-000947	R-CARBON:7.5KOHM,5%,1/8W,AA,TP,1.8X3.2MM	
R707	2001-000522	R-CARBON:22KOHM,5%,1/8W,AA,TP,1.8X3.2MM	
R708	2001-000273	R-CARBON:100KOHM,5%,1/8W,AA,TP,1.8X3.2MM	
R709	2001-000273	R-CARBON:100KOHM,5%,1/8W,AA,TP,1.8X3.2MM	
R710	2001-000490	R-CARBON:200OHM,5%,1/8W,AA,TP,1.8X3.2MM	
AA61-00200B	HOLDER-AV:CONTROL: -,29A7,ABS,HB,G3676,GN		
AA61-00396E	HOLDER-AV:COVER ASSY:29A7,ABS,G3676,HB,-		
AA61-00198B	HOLDER-AV:COVER: -,29A7,ABS,HB,G3676,-		
AA64-00636F	INLAY-SIDE,AV:29A7,PS SHEET,-,-,BLK,-,KS		
AA61-00397A	HOLDER-AV:HOUSING ASSY: -,29A7,GN802P,ABS		
DAMPER	6003-001070	SCREW-TAPTITE:BH,+B,M2,L4,ZPC(BLK),SWRC	
AA61-00199B	HOLDER-AV:HOUSING ASSY: -,29A7,ABS,HB,G3676,GN		
AA61-30001A	LATCH-DOOR: -, -, -, KIFUCO LA701,-		
AA61-80002A	DAMPER-GEAR: -,DP802,-,37G,BLU,DP802,-		
AA61-60109B	SPRING-DOOR: -,SUS304L,-,-,-,0.5,0D5,H8		

ASSY PCB POWER

* AA95-00743A ASSY PCB POWER:TSK2790FX/XAA,KS4A,27,-,

C407	2301-001268	C-FILM,PPF:33nF,5%,630V,TP,20x11x17,7.5	
C408	2306-000324	C-FILM,MPPF:3.3nF,5%,1.6KV,TP,28.5x13.5x	
C409	2306-000204	C-FILM,MPPF:430nF,5%,400V,TP,26x20.5x12	
C412	2301-001192	C-FILM,MPPF:820nF,5%,400V,TP,29x18.5x25	
C413	2306-000324	C-FILM,MPPF:3.3nF,5%,1.6KV,TP,28.5x13.5x	
C419	2306-000123	C-FILM,MPPF:100nF,5%,630V,BK,26x16.5x8.5	
C427	2306-000324	C-FILM,MPPF:3.3nF,5%,1.6KV,TP,28.5x13.5x	
C809	2306-000323	C-FILM,MPPF:2.2nF,5%,1.6KV,TP,28.5x15.5x	
C810	2401-000560	C-AL:1uF,20%,160V,GP,TP,6.3x11,5	

Electrical Parts List

Loc. No.	Code No.	Description ; Specification	Remark	Loc. No.	Code No.	Description ; Specification	Remark
C813	2401-003370	C-AL:47uF,20%,450V,GPBK,16X35.5,7.		C422	2201-000556	C-CERAMIC,DISC:0.47nF,10%,500V,Y5P,TP,5.	
C814	2401-003190	C-AL:470uF,20%,450V,GPBK,35x45,22.		C423	2401-001655	C-AL:680uF,20%,25V,GP,TP,10x20,5	
C819	2401-002287	C-AL:470uF,20%,200V,WT,BK,25x40,10		C424	2401-002597	C-AL:220uF,20%,35V,GP,TP,10x12,5.5	
C820	2401-003024	C-AL:220uF,20%,200V,WT,TP,22x35,10		C425	2305-000470	C-FILM,MPEF:68nF,5%,100V,TP,-,5mm	
C822	2401-000737	C-AL:220uF,20%,50V,GP,TP,18x35,5,7		C426	2202-002037	C-CERAMIC,MLC-AXIAL:100nF,80-20%,50V,Y5V	
CH04	2301-001041	C-FILM,PPF:15nF,5%,1.6KV,TP,29x14x21,5,2		C428	2301-000232	C-FILM,PEF:3.3nF,5%,50V,TP,8.1x4.5x13mm,	
CH05	2301-001041	C-FILM,PPF:15nF,5%,1.6KV,TP,29x14x21,5,2		C429	2301-000356	C-FILM,PEF:47nF,5%,50V,TP,7.5x4.0x6,5,5m	
CN801	3711-003052	CONNECTOR-HEADER:BOX,10P,1R,2.5mm,STRAGH		C430	2401-001655	C-AL:680uF,20%,25V,GP,TP,10x20,5	
CN803	3710-001103	CONNECTOR-SOCKET:14P,1R,2.5mm,STRAIGHT,S		C431	2401-000302	C-AL:100uF,20%,25V,GP,TP,6.3x11,5	
CN804	3710-001103	CONNECTOR-SOCKET:14P,1R,2.5mm,STRAIGHT,S		C440	2201-000556	C-CERAMIC,DISC:0.47nF,10%,500V,Y5P,TP,5.	
△CX801S	2306-000318	C-FILM,MPPF:220nF,20%,250V,TP,-,22,5mm		C452	2301-000383	C-FILM,PEF:10nF,5%,50V,TP,6x7x3.2mm,5mm	
△CX802S	2306-000318	C-FILM,MPPF:220nF,20%,250V,TP,-,22,5mm		C453	2401-002144	C-AL:47uF,20%,16V,GP,TP,5x11,5	
△CX803S	2306-000112	C-FILM,MPPF:100nF,20%,250V,BK,-,15mm		C454	2201-000599	C-CERAMIC,DISC:0.56nF,10%,500V,Y5P,TP,5.	
△CY801S	2201-000539	C-CERAMIC,DISC:4.7nF,20%,250V,Y5V,BK,16x		C803	2201-000315	C-CERAMIC,DISC:2.2nF,+80-20%,250V,Y5U,TP	
△CY802S	2201-000539	C-CERAMIC,DISC:4.7nF,20%,250V,Y5V,BK,16x		C804	2201-000119	C-CERAMIC,DISC:100nF,+80-20%,50V,Y5V,TP,	
D406	0402-000534	DIODE-RECTIFIER:RG10V,400V,1.2A,DO-201,T		C805	2201-002076	C-CERAMIC,DISC:0.068nF,5%,1KV,SL,TP,8x4mm	
D804	0402-000250	DIODE-RECTIFIER:RG4C,1000V,1A,-		C806	2401-000360	C-AL:100uF,20%,50V,GP,TP,8x11,5,5	
△D806	0402-000549	DIODE-BRIDGE:RBV606,600V,6A,-,BK	H/SINK	C808	2201-000292	C-CERAMIC,DISC:1nF,10%,50V,Y5P,TP,5x3,5,	
△D817	0402-000233	DIODE-RECTIFIER:FML-G12S,200V,5A,-,-	H/SINK	C811	2201-000315	C-CERAMIC,DISC:2.2nF,+80-20%,250V,Y5U,TP	
△D817	0402-000231	DIODE-RECTIFIER:FMG-G26S,600V,4A,TO-220F	H/SINK	C812	2201-000332	C-CERAMIC,DISC:0.47nF,20%,250V,Y5U,TP,9x4	
D819	0402-000233	DIODE-RECTIFIER:FML-G12S,200V,5A,-,-		C816	2201-002041	C-CERAMIC,DISC:0.82nF,10%,2KV,Y5P,TP,9x5	
FP801S	3601-000300	FUSE-CARRIDGE:250V,6.3A,SLOW-BLOW,GLASS		C817	2301-001171	C-FILM,PPF:10nF,5%,400V,TP,20x6.5x13,7,5	
△IC301	1204-000517	IC-VERTICAL DEF.:LA7845,SIP,7P,-,PLASTIC	H/SINK	C818	2201-000551	C-CERAMIC,DISC:0.47nF,10%,1KV,Y5P,TP,6,3	
△IC403	1202-000103	IC-VOLTAGE COMP.:393,DIP,8P,300MIL,DUAL,		C821	2201-000551	C-CERAMIC,DISC:0.47nF,10%,1KV,Y5P,TP,6,3	
△IC801S	AA13-00018A	IC-HYBRID:-,STR-F6656,LF1351,5PIN,-,-	H/SINK	C824	2201-000556	C-CERAMIC,DISC:0.47nF,10%,500V,Y5P,TP,5.	
△IC803S	AA13-00024A	IC-HYBRID:-,TNY253P,-,8PIN,-,-		C825	2401-000722	C-AL:220uF,20%,25V,WT,TP,16x25,7,5	
△ICH01	1201-000191	IC-OP AMP:4558,DIP,8P,300MIL,DUAL,20V/mV		C826	2401-000722	C-AL:220uF,20%,25V,WT,TP,16x25,7,5	
L401	AA27-00057A	COIL-HORIZ. WIDTH:-,10mH,YL-9N 15x27,5 C		C828	2401-000722	C-AL:220uF,20%,25V,WT,TP,16x25,7,5	
L402	AA27-10004F	COIL-CHOKE:-,56uH,K,-,2.5A,BK,-,DR12x15,		C829	2401-001397	C-AL:470uF,20%,25V,GP,TP,10x16,5	
L403	AA27-00025A	COIL-CHOKE:-,1mH,10%,--BK,-,12X20,14X2		C833	2305-000412	C-FILM,MPEF:470nF,5%,63V,TP,-,5mm	
L404	AA27-00070A	COIL-LINEARITY:-,7uH,YL81 DR1518,11mm,17		C834	2401-001840	C-AL:100uF,20%,16V,GP,TP,6.3x11,5	
L405	AA27-40003P	COIL-HORIZ.WIDTH:-,120uH/180uH,Th8x20,US		C835	2201-000556	C-CERAMIC,DISC:0.47nF,10%,500V,Y5P,TP,5.	
L812	AA27-10002L	COIL-CHOKE:-,24UH,K,-,2A,-,24UH-K,10X10M		C838	2401-001363	C-AL:470uF,20%,16V,GP,TP,10x12,5,5	
L815	AA27-10002L	COIL-CHOKE:-,24UH,K,-,2A,-,24UH-K,10X10M		C839	2201-000551	C-CERAMIC,DISC:0.47nF,10%,1KV,Y5P,TP,6,3	
LS401	AA27-10002V	COIL-CHOKE:-,6.3MH,K,-,500MA,-,NY632K(50		CH01	2401-002619	C-AL:47uF,20%,25V,GP,TP,5x11,5	
LX801S	AA29-30001Z	FILTER-LINE NOISE:-,10mH,2.8A,-,SQE3535		CH02	2401-000302	C-AL:100uF,20%,25V,GP,TP,6.3x11,5	
LX802S	AA29-30002D	FILTER-LINE NOISE:-,10mH,2.8A,-,SQE-3535		CH06	2401-000832	C-AL:220uF,20%,25V,GP,TP,8x11,5,5	
NT801S	1404-001045	THERMISTOR-NTC:4.7OHM,15%,2900K,35.0MW,T		CH07	2401-000287	C-AL:100uF,20%,16V,WT,TP,6.3x11,5	
PC801S	0604-001038	PHOTO-COUPLER:TR,130-260%,200mW,DIP-4,ST		CH08	2401-001840	C-AL:100uF,20%,16V,GP,TP,6.3x11,5	
PC802S	0604-001032	PHOTO-COUPLER:TR,170-260%,300mW,DIP-4,ST		CH11	2401-000302	C-AL:100uF,20%,25V,GP,TP,6.3x11,5	
PT801S	1404-001026	THERMISTOR-PTC:70HM,20%,-.290V,25A,-,ST		CS01	2301-001268	C-FILM,PPF:33nF,5%,630V,TP,20x11x17,7,5	
△Q403	0505-000156	FET-SILICON:IRF620,N,200V,5A,0.8ohm,50W,		D301	0402-000546	DIODE-RECTIFIER:TVR10G,400V,1.0A,DO-41,T	
△Q404	0505-001116	FET-SILICON:BUZ73A,N,200V,22A,0.6ohm,40W		D401	0401-000005	DIODE-SWITCHING:1N4148,100V,200MA,DO-35,	
	AA02-00007A	MICA:DPM-04,MICA,22x29x0.15mm		D402	0401-000005	DIODE-SWITCHING:1N4148,100V,200MA,DO-35,	
△Q405	0502-001175	TR-POWER:2SC5446,NPN,200000mW,TO-3PL,BK	H/SINK	D403	0402-001105	DIODE-RECTIFIER:ERB43-04SV1,400V,1.0A,-,	
△Q405	0402-001296	DIODE-RECTIFIER:FMP-3FU,1.5KV,5A,TO-3PF,	H/SINK	D404	0402-000493	DIODE-RECTIFIER:1R5GU41,400V,1.5A,DO-15L	
△Q801	AA13-20004HC	IC-HYBRID:-,SE135N-LF12,TO220-LF12,3,ERR		D405	0402-000534	DIODE-RECTIFIER:RG10V,400V,1.2A,DO-201,T	
△QH04	0502-000442	TR-POWER:2SC4636RB,NPN,2W,TO-220,ST,10-		D408	0402-000540	DIODE-RECTIFIER:RU20A,600V,1.5A,-,TP	
R815	2003-002206	R-METAL OXIDE(S):27Kohm,5%,3W,AG,TP,6x16		D409	0402-000540	DIODE-RECTIFIER:RU20A,600V,1.5A,-,TP	
R816	2003-002206	R-METAL OXIDE(S):27Kohm,5%,3W,AG,TP,6x16		D410	0401-000005	DIODE-SWITCHING:1N4148,100V,200MA,DO-35,	
RL801S	3501-001040	RELAY-POWER:12VDC,500mW,10A,1FormA,15mS,		D411	0402-000546	DIODE-RECTIFIER:TVR10G,400V,1.0A,DO-41,T	
RL802S	3501-001053	RELAY-POWER:5VDC,530mW,10A,1FormA,15MS,5		D412	0401-000005	DIODE-SWITCHING:1N4148,100V,200MA,DO-35,	
RS01	2006-001081	R-CEMENT:82ohm,5%,5W,CJ,TP,14x10x27mm		D450	0402-000132	DIODE-RECTIFIER:1N4004,400V,1A,DO-41,TP	
RS02	2006-001081	R-CEMENT:82ohm,5%,5W,CJ,TP,14x10x27mm		D451	0402-000132	DIODE-RECTIFIER:1N4004,400V,1A,DO-41,TP	
SWS01	3409-000138	SWITCH-LEVER:30V,200mA,SP3T,NON SHORTING		D801	0402-000532	DIODE-RECTIFIER:ERC13-08,800V,1.2A,DO-20	
SWS02	3409-000138	SWITCH-LEVER:30V,200mA,SP3T,NON SHORTING		D802	0402-000546	DIODE-RECTIFIER:TVR10G,400V,1.0A,DO-41,T	
△T401	AA26-50001S	TRANS-HORIZ.DRIVE:-,6.0mH,44uH,1.5uH,E12		D803	0402-000546	DIODE-RECTIFIER:TVR10G,400V,1.0A,DO-41,T	
△T402	AA26-90002C	TRANS-DUMMY:-,3.5mH,EER2834,130/1200,ST		D805	0402-000532	DIODE-RECTIFIER:ERC13-08,800V,1.2A,DO-20	
△T444	AA26-00082A	TRANS-FBT:FUJ-29C002F(S),CT29A7DR,1.95mH		D807	0402-001111	DIODE-RECTIFIER:1N5397GP,600V,1.5A,DO-20	
△T801S	AA26-00056A	TRANS SWITCHING:-,--,AC90-260V,DC135V/2		D808	1405-000152	VARIATOR:560V,2500A,14x8.5mm,TP	
△TS801S	AA26-00055A	TRANS SWITCHING:-,--,AC80-280V,-,--,4m		D811	1405-001030	VARIATOR:120V,2500A,14x8.5mm,TP	
C301	2301-000160	C-FILM,PEF:12nF,5%,50V,TP,11.0x6.0x9.0mm		D812	0403-000716	DIODE-ZENER:MTZJ4.7B,4.7V,4.55-4.8V,500mW	
C302	2201-000132	C-CERAMIC,DISC:0.1nF,10%,500V,Y5P,TP,6,5		D813	0402-000534	DIODE-RECTIFIER:RG10V,400V,1.2A,DO-201,T	
C304	2401-000365	C-AL:100uF,20%,50V,WT,TP,10x12,5mm,		D815	0403-001322	DIODE-ZENER:MTZJ8.2B,7.78-8.19V,500mW,DO	
C305	2401-000360	C-AL:100uF,20%,50V,GP,TP,8x11,5,5		D816	0402-000132	DIODE-RECTIFIER:1N4004,400V,1A,DO-41,TP	
C306	2305-000285	C-FILM,MPEF:220NF,5%,100V,TP,10.5X5.5X15		D820	0402-000132	DIODE-RECTIFIER:1N4004,400V,1A,DO-41,TP	
C307	2305-000149	C-FILM,MPEF:100nF,5%,100V,TP,12x12.5x6,5		D821	0402-000546	DIODE-RECTIFIER:TVR10G,400V,1.0A,DO-41,T	
C401	2301-000247	C-FILM,PEF:33nF,5%,50V,TP,8.1x4.5x13mm,5		DH01	0402-000254	DIODE-RECTIFIER:RGP10J,600V,1A,DO-41,TP	
C402	2301-000213	C-FILM,PEF:220nF,5%,250V,TP,21.5x11,7,5		DH02	0402-000254	DIODE-RECTIFIER:RGP10J,600V,1A,DO-41,TP	
C406	2401-000832	C-AL:220uF,20%,25V,GP,TP,8x11,5,5		DS01	0402-000132	DIODE-RECTIFIER:1N4004,400V,1A,DO-41,TP	
C410	2301-000188	C-FILM,PEF:1nF,5%,100V,TP,10.5x12.5x6,5,		DS02	0402-000132	DIODE-RECTIFIER:1N4004,400V,1A,DO-41,TP	
C411	2301-001143	C-FILM,PPF:56nF,5%,400V,TP,20x10x17,7,5		DZ301	0403-001329	DIODE-ZENER:MTZJ24B,22.61-23.77V,500mW,D	
C416	2401-001527	C-AL:47uF,20%,250V,HR,TP,13x25mm,5m		DZ302	0403-001329	DIODE-ZENER:MTZJ24B,22.61-23.77V,500mW,D	
C417	2401-000927	C-AL:22uF,20%,250V,GP,TP,13x20,5		DZ303	0403-001221	DIODE-ZENER:UZ39B5B,35.36-37.19V,500mW,D	
C418	2201-000291	C-CERAMIC,DISC:1nF,10%,500V,Y5P,TP,7,5x3		DZ304	0403-000700	DIODE-ZENER:TZP33A,33V,31-35V,1W,DO-41,T	
C420	2201-000556	C-CERAMIC,DISC:0.47nF,10%,500V,Y5P,TP,5.		DZ305	0403-001325	DIODE-ZENER:MTZJ15C,14.35-15.09V,500mW,D	
C421	2201-000556	C-CERAMIC,DISC:0.47nF,10%,500V,Y5P,TP,5.		DZ306	0403-000716	DIODE-ZENER:MTZJ4.7B,4.7V,4.55-4.8V,500mW	

Loc. No.	Code No.	Description ; Specification	Remark	Loc. No.	Code No.	Description ; Specification	Remark
	DZ307	0403-001328 DIODE-ZENER:MTZJ22A,20.15-21.20V,500mW,D			R416	2004-001397 R-METAL(S):4.7Kohm,1%,1/2W,AA,TP,2.4x6.4	
	DZ401	0403-001322 DIODE-ZENER:MTZJ8.2B,7.78-8.19V,500mW,DO			R418	2001-000429 R-CARBON:1KOHM,5%,1/8W,AA,TP,1.8X3.2MM	
	DZ402	0403-001325 DIODE-ZENER:MTZJ15C,14.35-15.09V,500mW,D			△R419S	2008-000266 R-FUSIBLE(S):1ohm,5%,2W,AF,TP,3.9x10mm	
	DZ403	0403-001140 DIODE-ZENER:RD10ESAB-T4,10V,9.19-10.30V,			R420	2001-001155 R-CARBON(S):5.6KOHM,5%,1/2W,AA,TP,2.4X6.4	
	DZ801	0403-001322 DIODE-ZENER:MTZJ8.2B,7.78-8.19V,500mW,DO			R422	2001-001108 R-CARBON(S):22KOHM,5%,1/2W,AA,TP,2.4X6.4	
	DZ802	0403-000508 DIODE-ZENER:MTZJ5.6B,5.6V,5.45-5.73V,500			△R423S	2008-001011 R-FUSIBLE(S):0.18ohm,10%,2W,AF,TP,3.9x10	
	DZ803	0403-001327 DIODE-ZENER:MTZJ18A,16.22-17.06V,500mW,D			△R424S	2008-001011 R-FUSIBLE(S):0.18ohm,10%,2W,AF,TP,3.9x10	
△	FA801S	3601-001228 FUSE-AXIAL LEAD:125V,10A,FAST-ACTING,EPO			△R425S	2008-001019 R-FUSIBLE:0.20HM,10%,1/2W,AA,TP,2.5X6.5M	
△	FA802S	3601-001228 FUSE-AXIAL LEAD:125V,10A,FAST-ACTING,EPO			R426	2003-000540 R-METAL OXIDE(S):1Kohm,5%,2W,AF,TP,4x12m	
△	FD802S	3601-000120 FUSE-AXIAL LEAD:125V,2.5A,FAST-ACTING,GL			R429	2004-000698 R-METAL:3.3Kohm,1%,1/4W,AA,TP,2.4x6.4mm	
	J105	2001-001043 R-CARBON(S):00HM,5%,1/2W,AA,TP,2.4X6.4MM			R430	2004-002016 R-METAL(S):15Kohm,1%,1/2W,AA,TP,2.5x6.5m	
	J106	2001-001043 R-CARBON(S):00HM,5%,1/2W,AA,TP,2.4X6.4MM			R431	2004-002019 R-METAL(S):33Kohm,1%,1/2W,AA,TP,2.5x6.5m	
	J118	2001-001043 R-CARBON(S):00HM,5%,1/2W,AA,TP,2.4X6.4MM			R434	2004-002016 R-METAL(S):15Kohm,1%,1/2W,AA,TP,2.5x6.5m	
	J125	2001-001043 R-CARBON(S):00HM,5%,1/2W,AA,TP,2.4X6.4MM			△R437S	2008-000282 R-FUSIBLE:0.47ohm,5%,1W,AA,TP,3.9x12mm	
	J127	2001-001043 R-CARBON(S):00HM,5%,1/2W,AA,TP,2.4X6.4MM			R438	2001-000028 R-CARBON(S):100OHM,5%,1/2W,AA,TP,2.4X6.4	
	J130	2001-001043 R-CARBON(S):00HM,5%,1/2W,AA,TP,2.4X6.4MM			R439	2001-001178 R-CARBON(S):680OHM,5%,1/2W,AA,TP,2.4X6.4	
	J135	2001-001043 R-CARBON(S):00HM,5%,1/2W,AA,TP,2.4X6.4MM			R450	2008-001033 R-FUSIBLE(S):12Kohm,5%,2W,AF,TP,3.9x10mm	
	J173	2001-001043 R-CARBON(S):00HM,5%,1/2W,AA,TP,2.4X6.4MM			R451	2004-001390 R-METAL(S):1Kohm,2%,1/2W,AA,TP,2.4x6.4mm	
	L302	3301-000287 CORE-FERRITE BEAD:AA,3.5x1.0x6.0mm,1500,			R452	2001-001081 R-CARBON(S):160KOHM,5%,1/2W,AA,TP,2.4X6.4	
	L303	3301-000287 CORE-FERRITE BEAD:AA,3.5x1.0x6.0mm,1500,			R455	2008-001003 R-FUSIBLE(S):5.6ohm,5%,1W,AF,TP,3.9x10mm	
	L406	2901-000297 FILTER-EMI ON BOARD:-,3A,-,-,3.5x5,TP,-			R456	2003-002064 R-METAL OXIDE:7.5ohm,5%,2W,AF,TP,10x3.9m	
	L407	2901-000297 FILTER-EMI ON BOARD:-,3A,-,-,3.5x5,TP,-			R457	2001-001159 R-CARBON(S):510OHM,5%,1/2W,AA,TP,2.4X6.4	
	L408	2901-000297 FILTER-EMI ON BOARD:-,3A,-,-,3.5x5,TP,-			R458	2003-002064 R-METAL OXIDE:7.5ohm,5%,2W,AF,TP,10x3.9m	
	L409	3301-000287 CORE-FERRITE BEAD:AA,3.5x1.0x6.0mm,1500,			R802	2001-001055 R-CARBON(S):1.8KOHM,5%,1/2W,AA,TP,2.4X6.4	
	L410	2701-001032 INDUCTOR-AXIAL:100uH,10%,5x14mm			R804	2001-001159 R-CARBON(S):510OHM,5%,1/2W,AA,TP,2.4X6.4	
	L802	2901-000299 FILTER-EMI ON BOARD:-,6A,UL/CSA,-,9x7.5,			R805	2003-001093 R-METAL OXIDE(S):12Kohm,5%,2W,AF,TP,3.9x	
	L803	2901-000297 FILTER-EMI ON BOARD:-,3A,-,-,3.5x5,TP,-			R806	2003-001093 R-METAL OXIDE(S):12Kohm,5%,2W,AF,TP,3.9x	
	L804	2901-000297 FILTER-EMI ON BOARD:-,3A,-,-,3.5x5,TP,-			R807	2003-001093 R-METAL OXIDE(S):12Kohm,5%,2W,AF,TP,3.9x	
	L805	2901-000297 FILTER-EMI ON BOARD:-,3A,-,-,3.5x5,TP,-			R808	2001-001129 R-CARBON(S):330KOHM,5%,1/2W,AA,TP,2.4X6.4	
	L806	2901-000297 FILTER-EMI ON BOARD:-,3A,-,-,3.5x5,TP,-			R809	2001-001129 R-CARBON(S):330KOHM,5%,1/2W,AA,TP,2.4X6.4	
	L807	3301-000287 CORE-FERRITE BEAD:AA,3.5x1.0x6.0mm,1500,			△R809S	2008-001011 R-FUSIBLE(S):0.18ohm,10%,2W,AF,TP,3.9x10	
	L808	3301-000287 CORE-FERRITE BEAD:AA,3.5x1.0x6.0mm,1500,			R810	2001-001178 R-CARBON(S):680OHM,5%,1/2W,AA,TP,2.4X6.4	
	L809	2901-000297 FILTER-EMI ON BOARD:-,3A,-,-,3.5x5,TP,-			R811	2001-000066 R-CARBON(S):10KOHM,5%,1/2W,AA,TP,2.4X6.4	
	L810	2701-001030 INDUCTOR-AXIAL:43uH,10%,5x14mm			R812	2009-000017 R-METAL PLATE:0.1ohm,10%,5W,CL,TP,5x14x1	
	L811	2901-000297 FILTER-EMI ON BOARD:-,3A,-,-,3.5x5,TP,-			R813	2001-001097 R-CARBON(S):2.4KOHM,5%,1/2W,AA,TP,2.4X6.4	
	L813	2901-000297 FILTER-EMI ON BOARD:-,3A,-,-,3.5x5,TP,-			R814	2001-001170 R-CARBON(S):6.8OHM,5%,1/2W,AA,TP,2.4X6.4	
	L814	2901-000297 FILTER-EMI ON BOARD:-,3A,-,-,3.5x5,TP,-			R817	2001-001144 R-CARBON(S):4.7KOHM,5%,1/2W,AA,TP,2.4X6.4	
	L817	3301-000287 CORE-FERRITE BEAD:AA,3.5x1.0x6.0mm,1500,			R818	2001-001045 R-CARBON(S):1.2KOHM,5%,1/2W,AA,TP,2.4X6.4	
	L818	2701-001030 INDUCTOR-AXIAL:43uH,10%,5x14mm			R819	2001-000429 R-CARBON:1KOHM,5%,1/8W,AA,TP,1.8X3.2MM	
	L822	2901-000299 FILTER-EMI ON BOARD:-,6A,UL/CSA,-,9x7.5,			R821	2001-000429 R-CARBON:1KOHM,5%,1/8W,AA,TP,1.8X3.2MM	
	L823	2901-000299 FILTER-EMI ON BOARD:-,6A,UL/CSA,-,9x7.5,			R823	2001-001086 R-CARBON(S):18KOHM,5%,1/2W,AA,TP,2.4X6.4	
	Q401	0501-000389 TR-SMALL SIGNAL:KSC815,NPN,400mW,TO-92,T			R824	2001-000085 R-CARBON(S):100KOHM,5%,1/2W,AA,TP,2.4X6.4	
	Q402	0501-000389 TR-SMALL SIGNAL:KSC815,NPN,400mW,TO-92,T			R826	2001-001088 R-CARBON(S):1KOHM,5%,1/2W,AA,TP,2.4X6.4M	
	Q802	0501-000369 TR-SMALL SIGNAL:KSC2331-Y,NPN,1W,TO-92L,			R827	2001-001097 R-CARBON(S):2.4KOHM,5%,1/2W,AA,TP,2.4X6.4	
	Q803	0501-000369 TR-SMALL SIGNAL:KSC2331-Y,NPN,1W,TO-92L,			R830	2001-001072 R-CARBON(S):12OHM,5%,1/2W,AA,TP,2.4X6.4M	
	Q804	0501-000389 TR-SMALL SIGNAL:KSC815,NPN,400mW,TO-92,T			R831	2001-000028 R-CARBON(S):100OHM,5%,1/2W,AA,TP,2.4X6.4	
	QH01	0501-000283 TR-SMALL SIGNAL:KSA539,PNP,400mW,TO-92,T			R832	2001-001088 R-CARBON(S):1KOHM,5%,1/2W,AA,TP,2.4X6.4M	
	QH02	0501-000389 TR-SMALL SIGNAL:KSC815,NPN,400mW,TO-92,T			R833	2001-001070 R-CARBON(S):120OHM,5%,1/2W,AA,TP,2.4X6.4	
	QH03	0501-000283 TR-SMALL SIGNAL:KSA539,PNP,400mW,TO-92,T			R834	2003-001090 R-METAL OXIDE(S):10Kohm,5%,2W,AF,TP,4x12	
	R301	2001-001093 R-CARBON(S):2.2KOHM,5%,1/2W,AA,TP,2.4X6.4			R835	2001-000429 R-CARBON:1KOHM,5%,1/8W,AA,TP,1.8X3.2MM	
	R302	2001-001093 R-CARBON(S):2.2KOHM,5%,1/2W,AA,TP,2.4X6.4			R836	2008-001050 R-FUSIBLE:22ohm,5%,2W,AF,TP,3.9x10mm	
	R305	2001-000016 R-CARBON(S):10HM,5%,1/2W,AA,TP,2.4X6.4MM			RH01	2001-000008 R-CARBON:15KOHM,5%,1/8W,AA,TP,1.8X3.2MM	
	R306	2001-001163 R-CARBON(S):560OHM,5%,1/2W,AA,TP,2.4X6.4			RH02	2001-000812 R-CARBON:5.6KOHM,5%,1/8W,AA,TP,1.8X3.2M	
	R307	2001-001144 R-CARBON(S):4.7KOHM,5%,1/2W,AA,TP,2.4X6.4			RH03	2001-000221 R-CARBON:1.2KOHM,5%,1/8W,AA,TP,1.8X3.2M	
	R309	2001-000016 R-CARBON(S):10HM,5%,1/2W,AA,TP,2.4X6.4MM			RH04	2001-000331 R-CARBON:12KOHM,5%,1/8W,AA,TP,1.8X3.2MM	
	R310	2003-000746 R-METAL OXIDE(S):56ohm,5%,2W,AF,TP,4x12m			RH05	2001-000490 R-CARBON:200OHM,5%,1/8W,AA,TP,1.8X3.2MM	
	R311	2003-000746 R-METAL OXIDE(S):56ohm,5%,2W,AF,TP,4x12m			RH06	2001-000290 R-CARBON:10KOHM,5%,1/8W,AA,TP,1.8X3.2MM	
	R312	2004-004366 R-METAL(S):1.3Kohm,1%,1/2W,AA,TP,2.5x6.5			RH07	2001-000290 R-CARBON:10KOHM,5%,1/8W,AA,TP,1.8X3.2MM	
	R313	2001-000016 R-CARBON(S):10HM,5%,1/2W,AA,TP,2.4X6.4MM			RH08	2001-000660 R-CARBON:33KOHM,5%,1/8W,AA,TP,1.8X3.2MM	
	R314	2004-004366 R-METAL(S):1.3Kohm,1%,1/2W,AA,TP,2.5x6.5			RH09	2001-001165 R-CARBON(S):560OHM,5%,1/2W,AA,TP,2.4X6.4M	
	R315	2001-000290 R-CARBON:10KOHM,5%,1/8W,AA,TP,1.8X3.2MM			RH10	2001-000411 R-CARBON:18KOHM,5%,1/8W,AA,TP,1.8X3.2MM	
	R316	2001-000356 R-CARBON:150KOHM,5%,1/8W,AA,TP,1.8X3.2M			RH11	2001-000290 R-CARBON:10KOHM,5%,1/8W,AA,TP,1.8X3.2MM	
	R401	2008-001031 R-FUSIBLE(S):1.8ohm,5%,1W,AF,TP,3.9x10mm			RH12	2001-000290 R-CARBON:10KOHM,5%,1/8W,AA,TP,1.8X3.2MM	
	R402	2001-001168 R-CARBON(S):6.8KOHM,5%,1/2W,AA,TP,2.4X6.4			RH14	2001-001143 R-CARBON(S):4.3KOHM,5%,1/2W,AA,TP,2.4X6.4	
	R403	2001-001108 R-CARBON(S):22KOHM,5%,1/2W,AA,TP,2.4X6.4			RH15	2001-001078 R-CARBON(S):15KOHM,5%,1/2W,AA,TP,2.4X6.4	
	R404	2001-001045 R-CARBON(S):1.2KOHM,5%,1/2W,AA,TP,2.4X6.4			RH16	2001-001163 R-CARBON(S):560OHM,5%,1/2W,AA,TP,2.4X6.4	
	R405	2003-000664 R-METAL OXIDE(S):33ohm,5%,2W,AF,TP,4x12m			RH17	2001-000109 R-CARBON(S):470OHM,5%,1/2W,AA,TP,2.4X6.4	
	R406	2001-001122 R-CARBON(S):3.9KOHM,5%,1/2W,AA,TP,2.4X6.4			RH18	2001-001055 R-CARBON(S):1.8KOHM,5%,1/2W,AA,TP,2.4X6.4	
	R407	2003-001037 R-METAL OXIDE(S):39ohm,5%,2W,AF,TP,3.9x1			RH19	2003-002212 R-METAL OXIDE(S):75Kohm,5%,2W,AF,TP,3.9X	
	R408	2001-000318 R-CARBON(S):0.18ohm,10%,1/2W,AA,TP,2.4X6.4			RH20	2003-002211 R-METAL OXIDE(S):91Kohm,5%,2W,AG,TP,3.9x	
	R409	2003-002130 R-METAL OXIDE(S):15ohm,5%,2W,AF,TP,3.9x1			RH21	2003-002211 R-METAL OXIDE(S):91Kohm,5%,2W,AG,TP,3.9x	
	R410	2003-001037 R-METAL OXIDE(S):39ohm,5%,2W,AF,TP,3.9x1			RH22	2001-000734 R-CARBON:4.7KOHM,5%,1/8W,AA,TP,1.8X3.2M	
	R411	2001-001088 R-CARBON(S):1KOHM,5%,1/2W,AA,TP,2.4X6.4M			RH23	2001-001107 R-CARBON(S):220ohm,5%,1/2W,AA,TP,2.4X6.4	
	R412	2001-000052 R-CARBON(S):3.3KOHM,5%,1/2W,AA,TP,2.4X6.4			RH24	2001-000290 R-CARBON:10KOHM,5%,1/8W,AA,TP,1.8X3.2MM	
	R413	2001-001121 R-CARBON(S):3.6KOHM,5%,1/2W,AA,TP,2.4X6.4			△RP801S	2002-001010 R-COMPOSITION:1.8Mohm,5%,1/2W,AA,TP,3.9x	
	R414	2003-000592 R-METAL OXIDE(S):22ohm,5%,2W,AF,TP,4x12m			RS03	2003-001038 R-METAL OXIDE(S):4.7ohm,5%,2W,AF,TP,3.9x	
	R415	2004-001390 R-METAL(S):1Kohm,2%,1/2W,AA,TP,2.4x6.4mm			RS04	2003-001038 R-METAL OXIDE(S):4.7ohm,5%,2W,AF,TP,3.9x	

Electrical Parts List

Loc. No.	Code No.	Description ; Specification	Remark
----------	----------	-----------------------------	--------

- △RY801S 2002-001012 R-COMPOSITION:8.2Mohm,5%,1/2W,AA,TP,3.7x
- △VP801S 1405-000152 VARISTOR:560V,2500A,14x8.5mm,TP
- △VX801S 1405-000152 VARISTOR:560V,2500A,14x8.5mm,TP

ASSY-PCB,3D COBM

* AA95-00605AASSY-PCB,3D COBM;-;CT-29A7DR,KS4A,-;-;

- CON01 3711-002707 CONNECTOR-HEADER:NOWALL,9P,1R,2.5mm,ANGL
- CON02 3711-002703 CONNECTOR-HEADER:NOWALL,5P,1R,2.5mm,ANGL
- 2801-000199 CRYSTAL-UNIT:20MHz,50ppm,28-AAA,16pf,500
- CD10 2401-001496 C-AL:47uf,20%,16V,GP,TP,5x7.5
- CD11 2203-000218 C-CERAMIC,CHIP:100nF,20%,50V,Y5V,TP,2012
- CD12 2401-002464 C-AL:47uf,20%,16V,BP,TP,8x11.5.5
- CD18 2401-001914 C-AL:1uf,20%,50V,BP,TP,5x11.5
- CD20 2203-000218 C-CERAMIC,CHIP:100nF,20%,50V,Y5V,TP,2012
- CD21 2203-000218 C-CERAMIC,CHIP:100nF,20%,50V,Y5V,TP,2012
- CD22 2203-001035 C-CERAMIC,CHIP:5.6nF,10%,50V,X7R,TP,2012
- CD23 2401-000598 C-AL:1uf,20%,50V,GP,TP,4x7.5
- CD24 2401-000455 C-AL:10uf,20%,35V,GP,TP,4x7mm,5mm
- CD40 2301-000111 C-FILM,PEF:1.8nF,5%,50V,TP,6.5x3.0x5.5mm
- CD41 2203-000218 C-CERAMIC,CHIP:100nF,20%,50V,Y5V,TP,2012
- CD42 2203-000218 C-CERAMIC,CHIP:100nF,20%,50V,Y5V,TP,2012
- CD43 2203-000218 C-CERAMIC,CHIP:100nF,20%,50V,Y5V,TP,2012
- CD44 2203-000218 C-CERAMIC,CHIP:100nF,20%,50V,Y5V,TP,2012
- CD45 2401-000455 C-AL:10uf,20%,35V,GP,TP,4x7mm,5mm
- CD46 2203-000218 C-CERAMIC,CHIP:100nF,20%,50V,Y5V,TP,2012
- CD47 2401-000455 C-AL:10uf,20%,35V,GP,TP,4x7mm,5mm
- CD50 2203-000218 C-CERAMIC,CHIP:100nF,20%,50V,Y5V,TP,2012
- CD51 2203-000218 C-CERAMIC,CHIP:100nF,20%,50V,Y5V,TP,2012
- CD52 2203-000218 C-CERAMIC,CHIP:100nF,20%,50V,Y5V,TP,2012
- CD53 2203-000218 C-CERAMIC,CHIP:100nF,20%,50V,Y5V,TP,2012
- CD54 2203-000218 C-CERAMIC,CHIP:100nF,20%,50V,Y5V,TP,2012
- CD55 2203-000218 C-CERAMIC,CHIP:100nF,20%,50V,Y5V,TP,2012
- CD56 2203-000218 C-CERAMIC,CHIP:100nF,20%,50V,Y5V,TP,2012
- CD57 2401-001496 C-AL:47uf,20%,16V,GP,TP,5x7.5
- CD58 2203-000218 C-CERAMIC,CHIP:100nF,20%,50V,Y5V,TP,2012
- CD59 2401-001496 C-AL:47uf,20%,16V,GP,TP,5x7.5
- CD60 2401-001496 C-AL:47uf,20%,16V,GP,TP,5x7.5
- CD62 2203-000218 C-CERAMIC,CHIP:100nF,20%,50V,Y5V,TP,2012
- CD63 2203-000218 C-CERAMIC,CHIP:100nF,20%,50V,Y5V,TP,2012
- CD64 2401-001496 C-AL:47uf,20%,16V,GP,TP,5x7.5
- CD66 2401-001496 C-AL:47uf,20%,16V,GP,TP,5x7.5
- CD67 2203-000218 C-CERAMIC,CHIP:100nF,20%,50V,Y5V,TP,2012
- CD68 2401-001496 C-AL:47uf,20%,16V,GP,TP,5x7.5
- CD69 2203-000218 C-CERAMIC,CHIP:100nF,20%,50V,Y5V,TP,2012
- CD71 2401-001496 C-AL:47uf,20%,16V,GP,TP,5x7.5
- CD72 2203-000218 C-CERAMIC,CHIP:100nF,20%,50V,Y5V,TP,2012
- CD74 2203-000218 C-CERAMIC,CHIP:100nF,20%,50V,Y5V,TP,2012
- CD75 2203-000634 C-CERAMIC,CHIP:0.022nF,5%,50V,NPO,TP,201
- CD80 2203-000353 C-CERAMIC,CHIP:0.15nF,10%,50V,NPO,TP,201
- CD81 2203-000218 C-CERAMIC,CHIP:100nF,20%,50V,Y5V,TP,2012
- CD84 2203-000218 C-CERAMIC,CHIP:100nF,20%,50V,Y5V,TP,2012
- CD85 2203-000839 C-CERAMIC,CHIP:0.39nF,5%,50V,NPO,TP,2012
- CD86 2203-000218 C-CERAMIC,CHIP:100nF,20%,50V,Y5V,TP,2012
- CD87 2203-000218 C-CERAMIC,CHIP:100nF,20%,50V,Y5V,TP,2012
- CD88 2203-000634 C-CERAMIC,CHIP:0.022nF,5%,50V,NPO,TP,201
- CD89 2203-000634 C-CERAMIC,CHIP:0.022nF,5%,50V,NPO,TP,201
- CD90 2203-000218 C-CERAMIC,CHIP:100nF,20%,50V,Y5V,TP,2012
- CD91 2203-000218 C-CERAMIC,CHIP:100nF,20%,50V,Y5V,TP,2012
- DD01 0403-001016 DIODE-ZENER:RLZ6.2B,6.2V,5.96-6.27V,400m
- DD02 0403-001016 DIODE-ZENER:RLZ6.2B,6.2V,5.96-6.27V,400m
- DD03 0401-000133 DIODE-SWITCHING:RLS4148,100V,200mA,SOD-8
- FD00 2909-001051 FILTER-LC:6MHz,6MHz,0.8dB,TP,5dB/6MHz,30
- FD01 2909-001051 FILTER-LC:6MHz,6MHz,0.8dB,TP,5dB/6MHz,30
- FD02 2909-001052 FILTER-LC:3.58MHz,3MHz,1.5dB,TP,11dB/1.0
- FD03 2909-001051 FILTER-LC:6MHz,6MHz,0.8dB,TP,5dB/6MHz,30
- IC01 1204-001556 IC-SEPARATOR:UPD64082GF,0FP,100P,-,PLAST
- IC02 1105-001172 IC-DRAM:416C1204,1Mx16BIT,TSOP,44P,400
- IC04 1203-001419 IC-VOLTAGE REGULATOR:4931,TO-252,3P,6.6x
- JD01 2007-000029 R-CHIP:0OHM,5%,1/10W,DA,TP,2012
- JD04 2007-000029 R-CHIP:0OHM,5%,1/10W,DA,TP,2012
- LD03 2702-001096 INDUCTOR-RADIAL:33uH,10%,6x4mm
- LD05 2702-001095 INDUCTOR-RADIAL:18uH,10%,6x4mm
- LD06 2702-001095 INDUCTOR-RADIAL:18uH,10%,6x4mm

Loc. No.	Code No.	Description ; Specification	Remark
----------	----------	-----------------------------	--------

- LD07 2901-000297 FILTER-EMI ON BOARD:-;3A,-;-;3.5x5,TP,-
- LD09 2702-001093 INDUCTOR-RADIAL:4.7uH,10%,6x4mm
- QD10 0501-000344 TR-SMALL SIGNAL:KSC1623-G,NPN,200mW,SOT-
- QD11 0501-000280 TR-SMALL SIGNAL:KSA1182,PNP,150mW,SOT-23
- QD12 0501-000280 TR-SMALL SIGNAL:KSA1182,PNP,150mW,SOT-23
- QD13 0501-000344 TR-SMALL SIGNAL:KSC1623-G,NPN,200mW,SOT-
- QD14 0501-000280 TR-SMALL SIGNAL:KSA1182,PNP,150mW,SOT-23
- QD15 0501-000280 TR-SMALL SIGNAL:KSA1182,PNP,150mW,SOT-23
- QD16 0501-000280 TR-SMALL SIGNAL:KSA1182,PNP,150mW,SOT-23
- QD17 0501-000344 TR-SMALL SIGNAL:KSC1623-G,NPN,200mW,SOT-
- QD18 0501-000280 TR-SMALL SIGNAL:KSA1182,PNP,150mW,SOT-23
- QD19 0501-000344 TR-SMALL SIGNAL:KSC1623-G,NPN,200mW,SOT-
- QD20 0501-000280 TR-SMALL SIGNAL:KSA1182,PNP,150mW,SOT-23
- QD21 0501-000344 TR-SMALL SIGNAL:KSC1623-G,NPN,200mW,SOT-
- QD22 0501-000280 TR-SMALL SIGNAL:KSA1182,PNP,150mW,SOT-23
- QD23 0501-000344 TR-SMALL SIGNAL:KSC1623-G,NPN,200mW,SOT-
- QD24 0501-000344 TR-SMALL SIGNAL:KSC1623-G,NPN,200mW,SOT-
- QD25 0501-000280 TR-SMALL SIGNAL:KSA1182,PNP,150mW,SOT-23
- QD26 0501-000344 TR-SMALL SIGNAL:KSC1623-G,NPN,200mW,SOT-
- QD27 0501-000344 TR-SMALL SIGNAL:KSC1623-G,NPN,200mW,SOT-
- QD28 0501-000280 TR-SMALL SIGNAL:KSA1182,PNP,150mW,SOT-23
- QD40 0501-000344 TR-SMALL SIGNAL:KSC1623-G,NPN,200mW,SOT-
- QD41 0501-000344 TR-SMALL SIGNAL:KSC1623-G,NPN,200mW,SOT-
- RD00 2007-000290 R-CHIP:100OHM,5%,1/10W,DA,TP,2012
- RD01 2007-000290 R-CHIP:100OHM,5%,1/10W,DA,TP,2012
- RD02 2007-000030 R-CHIP:560OHM,5%,1/10W,DA,TP,2012
- RD03 2007-000290 R-CHIP:100OHM,5%,1/10W,DA,TP,2012
- RD04 2007-000586 R-CHIP:22KOHM,5%,1/10W,DA,TP,2012
- RD05 2007-001141 R-CHIP:7.5KOHM,5%,1/10W,DA,TP,2012
- RD06 2007-000468 R-CHIP:1KOHM,5%,1/10W,DA,TP,2012
- RD07 2007-000468 R-CHIP:1KOHM,5%,1/10W,DA,TP,2012
- RD08 2007-000030 R-CHIP:560OHM,5%,1/10W,DA,TP,2012
- RD09 2007-000981 R-CHIP:5.6KOHM,5%,1/10W,DA,TP,2012
- RD10 2007-000290 R-CHIP:100OHM,5%,1/10W,DA,TP,2012
- RD11 2007-000290 R-CHIP:100OHM,5%,1/10W,DA,TP,2012
- RD12 2007-000586 R-CHIP:22KOHM,5%,1/10W,DA,TP,2012
- RD13 2007-001141 R-CHIP:7.5KOHM,5%,1/10W,DA,TP,2012
- RD14 2007-000308 R-CHIP:100HM,5%,1/10W,DA,TP,2012
- RD15 2007-000468 R-CHIP:1KOHM,5%,1/10W,DA,TP,2012
- RD16 2007-000030 R-CHIP:560OHM,5%,1/10W,DA,TP,2012
- RD17 2007-000981 R-CHIP:5.6KOHM,5%,1/10W,DA,TP,2012
- RD18 2007-000290 R-CHIP:100OHM,5%,1/10W,DA,TP,2012
- RD19 2007-000030 R-CHIP:560OHM,5%,1/10W,DA,TP,2012
- RD20 2007-001092 R-CHIP:620OHM,5%,1/10W,DA,TP,2012
- RD21 2007-000572 R-CHIP:220OHM,5%,1/10W,DA,TP,2012
- RD22 2007-000468 R-CHIP:1KOHM,5%,1/10W,DA,TP,2012
- RD23 2007-000493 R-CHIP:2.2KOHM,5%,1/10W,DA,TP,2012
- RD24 2007-000941 R-CHIP:47KOHM,5%,1/10W,DA,TP,2012
- RD25 2007-000565 R-CHIP:220KOHM,5%,1/10W,DA,TP,2012
- RD26 2007-000931 R-CHIP:470OHM,5%,1/10W,DA,TP,2012
- RD27 2007-000872 R-CHIP:4.7KOHM,5%,1/10W,DA,TP,2012
- RD37 2007-001092 R-CHIP:620OHM,5%,1/10W,DA,TP,2012
- RD38 2007-000290 R-CHIP:100OHM,5%,1/10W,DA,TP,2012
- RD39 2007-000468 R-CHIP:1KOHM,5%,1/10W,DA,TP,2012
- RD41 2007-000297 R-CHIP:1KOHM,1%,1/10W,DA,TP,2012
- RD43 2007-000868 R-CHIP:4.7KOHM,1%,1/10W,DA,TP,2012
- RD50 2007-000290 R-CHIP:100OHM,5%,1/10W,DA,TP,2012
- RD51 2007-000468 R-CHIP:1KOHM,5%,1/10W,DA,TP,2012
- RD59 2007-000282 R-CHIP:100KOHM,5%,1/10W,DA,TP,2012
- RD62 2007-000308 R-CHIP:10OHM,5%,1/10W,DA,TP,2012
- RD63 2007-000493 R-CHIP:2.2KOHM,5%,1/10W,DA,TP,2012
- RD64 2007-000468 R-CHIP:1KOHM,5%,1/10W,DA,TP,2012
- RD65 2007-000468 R-CHIP:1KOHM,5%,1/10W,DA,TP,2012
- RD66 2007-000738 R-CHIP:30KOHM,5%,1/10W,DA,TP,2012
- RD67 2007-000710 R-CHIP:3.9KOHM,5%,1/10W,DA,TP,2012
- RD68 2007-000468 R-CHIP:1KOHM,5%,1/10W,DA,TP,2012
- RD69 2007-000931 R-CHIP:470OHM,5%,1/10W,DA,TP,2012
- RD70 2007-000931 R-CHIP:470OHM,5%,1/10W,DA,TP,2012
- RD71 2007-000468 R-CHIP:1KOHM,5%,1/10W,DA,TP,2012
- RD72 2007-000931 R-CHIP:470OHM,5%,1/10W,DA,TP,2012
- RD73 2007-000290 R-CHIP:100OHM,5%,1/10W,DA,TP,2012
- RD74 2007-000931 R-CHIP:470OHM,5%,1/10W,DA,TP,2012
- RD75 2007-000290 R-CHIP:100OHM,5%,1/10W,DA,TP,2012
- RD76 2007-000290 R-CHIP:100OHM,5%,1/10W,DA,TP,2012
- RD77 2007-000290 R-CHIP:100OHM,5%,1/10W,DA,TP,2012
- RD78 2007-000290 R-CHIP:100OHM,5%,1/10W,DA,TP,2012
- RD79 2007-000290 R-CHIP:100OHM,5%,1/10W,DA,TP,2012

Loc. No.	Code No.	Description ; Specification	Remark
RD82	2007-000308	R-CHIP:100HM,5%,1/10W,DA,TP,2012	
RD83	2007-000493	R-CHIP:2.2KOHM,5%,1/10W,DA,TP,2012	
RD84	2007-000030	R-CHIP:560OHM,5%,1/10W,DA,TP,2012	
RD85	2007-000981	R-CHIP:5.6KOHM,5%,1/10W,DA,TP,2012	
RD86	2007-000931	R-CHIP:470OHM,5%,1/10W,DA,TP,2012	
RD87	2007-000931	R-CHIP:470OHM,5%,1/10W,DA,TP,2012	
RD88	2007-000210	R-CHIP:1.1KOHM,5%,1/10W,DA,TP,2012	
RD89	2007-000781	R-CHIP:330HM,5%,1/10W,DA,TP,2012	
RD90	2007-000290	R-CHIP:100OHM,5%,1/10W,DA,TP,2012	
RD91	2007-000931	R-CHIP:470OHM,5%,1/10W,DA,TP,2012	
RD92	2007-000290	R-CHIP:100OHM,5%,1/10W,DA,TP,2012	
RD93	2007-000029	R-CHIP:0OHM,5%,1/10W,DA,TP,2012	
RD94	2007-000029	R-CHIP:0OHM,5%,1/10W,DA,TP,2012	
RD95	2007-000468	R-CHIP:1KOHM,5%,1/10W,DA,TP,2012	
RD96	2007-000931	R-CHIP:470OHM,5%,1/10W,DA,TP,2012	
RD97	2007-000931	R-CHIP:470OHM,5%,1/10W,DA,TP,2012	
RD98	2007-000029	R-CHIP:0OHM,5%,1/10W,DA,TP,2012	

ASSY-PCB,CONTROL

* AA95-00603AASSY-PCB,CONTROL;-;CT-29A7DR,KS4A,NTSC,2

DC01	0601-000465	LED:ROUND,GRN,5mm,565	
DC02	0601-000465	LED:ROUND,GRN,5mm,565	
PA01	AA59-60002B	MODULE-REMOCON;-;ORC-50HF,38KHZ,940MM,ME	
SWC01	3404-000176	SWITCH-TACT:12V,50mA,120gf,6x6mm,SPST	
SWC02	3404-000176	SWITCH-TACT:12V,50mA,120gf,6x6mm,SPST	
SWC03	3404-000176	SWITCH-TACT:12V,50mA,120gf,6x6mm,SPST	
SWC04	3404-000176	SWITCH-TACT:12V,50mA,120gf,6x6mm,SPST	
SWC05	3404-000176	SWITCH-TACT:12V,50mA,120gf,6x6mm,SPST	
SWC06	3404-000176	SWITCH-TACT:12V,50mA,120gf,6x6mm,SPST	
SWC07	3404-000176	SWITCH-TACT:12V,50mA,120gf,6x6mm,SPST	
CC01	2401-002291	C-AL:47uF,20%,16V,GP,TP,6.3x5.5	
DC03	0401-000005	DIODE-SWITCHING:1N4148,100V,200MA,DO-35,	
DC04	0401-000005	DIODE-SWITCHING:1N4148,100V,200MA,DO-35,	
QC01	0501-000389	TR-SMALL SIGNAL:KSC815,NPN,400mW,TO-92,T	
QC02	0501-000389	TR-SMALL SIGNAL:KSC815,NPN,400mW,TO-92,T	
RC01	2001-000020	R-CARBON(S):220HM,5%,1/2W,AA,TP,2.4X6.4M	
RC02	2001-001108	R-CARBON(S):22KOHM,5%,1/2W,AA,TP,2.4X6.4	
RC03	2001-000387	R-CARBON:16KOHM,5%,1/8W,AA,TP,1.8X3.2MM	
RC04	2001-000947	R-CARBON:7.5KOHM,5%,1/8W,AA,TP,1.8X3.2M	
RC05	2001-000591	R-CARBON:3.3KOHM,5%,1/8W,AA,TP,1.8X3.2M	
RC06	2001-000591	R-CARBON:3.3KOHM,5%,1/8W,AA,TP,1.8X3.2M	
RC07	2001-000947	R-CARBON:7.5KOHM,5%,1/8W,AA,TP,1.8X3.2M	
RC08	2001-000290	R-CARBON:10KOHM,5%,1/8W,AA,TP,1.8X3.2MM	
RC09	2001-000290	R-CARBON:10KOHM,5%,1/8W,AA,TP,1.8X3.2MM	
RC12	2001-001111	R-CARBON(S):240OHM,5%,1/2W,AA,TP,2.4X6.4	
RC13	2001-001111	R-CARBON(S):240OHM,5%,1/2W,AA,TP,2.4X6.4	

ASSY CABINET BACK

* AA91-00258GASSY CABINET BACK;-;V0 BLK,SV907P,29A7

AA64-00628G CABINET BACK:29A7,SV907P,HIPS,V0,BLK
 AA61-00201C HOLDER-CABINET:29A7,ABS,BLK,HB,-;
 AA63-00223A COVER-SIDE,R ASSY:-;29A7 GN802P+SV909A,6
 AA63-00176B COVER-SIDE,R:-;29A7,GN802P,HIPS,HB,G4309
 AA64-00629B DECORATION-SIDE:-;29A7K,SV909A,ABS,LG TR
 AA63-00222A COVER-SIDE,L ASSY:-;29A7 GN802P+SV909A,6
 AA63-00177B COVER-SIDE,L:-;29A7,GN802P,HIPS,HB,G4309
 AA64-00629B DECORATION-SIDE:-;29A7K,SV909A,ABS,LG TR

REMOCON

* AA59-00147BREMOCON;-;TM63,D4,50,L/GRAY,S/S,E/X,-;

Loc. No.	Code No.	Description ; Specification	Remark
----------	----------	-----------------------------	--------

ASSY-PCB,DOLBY

* AA95-00758AASSY-PCB,DOLBY;-;WS32W8HD,KS4A,PAL,-;

CN601A	3711-002704	CONNECTOR-HEADER:NOWALL,6P,1R,2.5mm,ANGL	
CN602A	3711-002707	CONNECTOR-HEADER:NOWALL,9P,1R,2.5mm,ANGL	
CN603A	AA61-10068A	BRACKET-PCB;-;M2160,SPT,TO.3,-;-;	
C601	2203-000260	C-CERAMIC,CHIP:10nF,10%,50V,X7R,TP,2012	
C602	2401-000287	C-AL:100uF,20%,16V,WT,TP,6.3x11.5	
C603	2203-000938	C-CERAMIC,CHIP:0.47nF,5%,50V,NP0,TP,2012	
C604	2203-000142	C-CERAMIC,CHIP:1.5nF,10%,50V,X7R,TP,2012	
C605	2401-002235	C-AL:10uF,20%,16V,GP,TP,5x11mm,5mm	
C606	2203-000218	C-CERAMIC,CHIP:100nF,20%,50V,Y5V,TP,2012	
C607	2401-002235	C-AL:10uF,20%,16V,GP,TP,5x11mm,5mm	
C608	2401-000287	C-AL:100uF,20%,16V,WT,TP,6.3x11.5	
C609	2203-000938	C-CERAMIC,CHIP:0.47nF,5%,50V,NP0,TP,2012	
C610	2203-000142	C-CERAMIC,CHIP:1.5nF,10%,50V,X7R,TP,2012	
C611	2401-002235	C-AL:10uF,20%,16V,GP,TP,5x11mm,5mm	
C612	2203-000444	C-CERAMIC,CHIP:1nF,10%,50V,X7R,TP,2012,-	
C613	2305-000412	C-FILM,MPEF:470nF,5%,63V,TP,-;5mm	
C614	2203-000142	C-CERAMIC,CHIP:1.5nF,10%,50V,X7R,TP,2012	
C615	2203-000444	C-CERAMIC,CHIP:1nF,10%,50V,X7R,TP,2012,-	
C616	2305-000412	C-FILM,MPEF:470nF,5%,63V,TP,-;5mm	
C617	2203-000142	C-CERAMIC,CHIP:1.5nF,10%,50V,X7R,TP,2012	
C618	2203-002442	C-CERAMIC,CHIP:330nF,+80-20%,25V,Y5V,TP,	
C619	2203-000142	C-CERAMIC,CHIP:1.5nF,10%,50V,X7R,TP,2012	
C620	2203-000938	C-CERAMIC,CHIP:0.47nF,5%,50V,NP0,TP,2012	
C621	2401-000287	C-AL:100uF,20%,16V,WT,TP,6.3x11.5	
C622	2203-000595	C-CERAMIC,CHIP:0.22nF,5%,50V,NP0,TP,2012	
C623	2401-002235	C-AL:10uF,20%,16V,GP,TP,5x11mm,5mm	
C624	2401-002235	C-AL:10uF,20%,16V,GP,TP,5x11mm,5mm	
C625	2401-000287	C-AL:100uF,20%,16V,WT,TP,6.3x11.5	
C626	2203-000218	C-CERAMIC,CHIP:100nF,20%,50V,Y5V,TP,2012	
C627	2401-002235	C-AL:10uF,20%,16V,GP,TP,5x11mm,5mm	
C628	2203-000218	C-CERAMIC,CHIP:100nF,20%,50V,Y5V,TP,2012	
IC601	1204-001198	IC-DECODER:DPL3519A-A2,PLCC,68P,-;PLASTI	
IC602	1201-000541	IC-OP AMP:062,SOP,8P,153MIL,DUAL,6V/mV,P	
L601	2901-000297	FILTER-EMI ON BOARD:-;3A,-;-;3.5x5,TP,-	
L602	2901-000297	FILTER-EMI ON BOARD:-;3A,-;-;3.5x5,TP,-	
L603	2901-000297	FILTER-EMI ON BOARD:-;3A,-;-;3.5x5,TP,-	
L604	2901-000297	FILTER-EMI ON BOARD:-;3A,-;-;3.5x5,TP,-	
R601	2007-000468	R-CHIP:1KOHM,5%,1/10W,DA,TP,2012	
R602	2007-000290	R-CHIP:100OHM,5%,1/10W,DA,TP,2012	
R603	2007-000290	R-CHIP:100OHM,5%,1/10W,DA,TP,2012	
R604	2007-000290	R-CHIP:100OHM,5%,1/10W,DA,TP,2012	
R605	2007-000290	R-CHIP:100OHM,5%,1/10W,DA,TP,2012	
R606	2007-000290	R-CHIP:100OHM,5%,1/10W,DA,TP,2012	
R607	2007-000290	R-CHIP:100OHM,5%,1/10W,DA,TP,2012	
R608	2007-000290	R-CHIP:100OHM,5%,1/10W,DA,TP,2012	
R609	2007-000872	R-CHIP:4.7KOHM,5%,1/10W,DA,TP,2012	
R610	2007-000872	R-CHIP:4.7KOHM,5%,1/10W,DA,TP,2012	
R611	2007-001243	R-CHIP:91KOHM,5%,1/10W,DA,TP,2012	
R612	2007-000282	R-CHIP:100KOHM,5%,1/10W,DA,TP,2012	
R613	2007-001243	R-CHIP:91KOHM,5%,1/10W,DA,TP,2012	
R614	2007-000282	R-CHIP:100KOHM,5%,1/10W,DA,TP,2012	
R615	2007-000029	R-CHIP:0OHM,5%,1/10W,DA,TP,2012	
R617	2007-000029	R-CHIP:0OHM,5%,1/10W,DA,TP,2012	
AA41-00162B	PCB-DOLBY;-;WS32WHD,FR-4,2L,B,1.6T,180x245		

ASSY-POWER,CORD

* AA96-20129AASSY-POWER,CORD;-;EP2/YES,H/C300,ME301P,

AA39-10007Y POWER-CORD;-;EP2/YES,SPT-2 18AWGx2C,2.4m

ASSY HOLDER SPK

* AA91-00337AASSY HOLDER SPK;-;PP,8ohm/15W,blk,housin

Electrical Parts List

Loc. No.	Code No.	Description ; Specification	Remark
----------	----------	-----------------------------	--------

ASSY TERMINAL BOARD

Loc. No.	Code No.	Description ; Specification	Remark
	* AA91-00323	BASSY TERMINAL BOARD;- ,HIPS,VO,BLK,KS4A S	
C701	2202-000145	C-CERAMIC,MLC-AXIAL:120pF,10%,50V,Y5P,TP	
C702	2202-000145	C-CERAMIC,MLC-AXIAL:120pF,10%,50V,Y5P,TP	
CN701A	AA39-20055B	LEAD CONNECTOR-ASSY;- ,YBNH025-06,67096-0	
CN702A	AA39-20069D	LEAD CONNECTOR-ASSY;- ,YBNH025-05,67096-0	
JA701A	AA63-40258A	TERMINAL-SPEAKER;- ,ABS,BLK,4P4	
JA702A	3716-000229	TERMINAL-BLOCK;- ,2P,13mm,-,-	
JA703A	3722-001439	JACK-RCA:2P,3.5mm,NI,BLK,-	
L701	2701-001040	INDUCTOR-AXIAL:10uH,10%,4.5x14mm	
L702	2701-001040	INDUCTOR-AXIAL:10uH,10%,4.5x14mm	
L703	2701-001040	INDUCTOR-AXIAL:10uH,10%,4.5x14mm	
L704	2701-000115	INDUCTOR-AXIAL:10uH,10%,3x7mm	
L705	2701-000115	INDUCTOR-AXIAL:10uH,10%,3x7mm	
R701	2001-000028	R-CARBON(S):100OHM,5%,1/2W,AA,TP,2.4X6.4	
R702	2001-000028	R-CARBON(S):100OHM,5%,1/2W,AA,TP,2.4X6.4	
	AA63-00165B	TERMINAL-BOARD,ANT;- ,HIPS VO BLK,- ,D4,29	
	AA41-00167B	PCB-DOLBY JACK:WS32W8HD,FR-1,1L,B,1.6T,2	
	AA64-00897D	INLAY BACK:D4,DOLBY SEA,PS SHEET,TO,5,BL	

ASSY CABINET FRONT

Loc. No.	Code No.	Description ; Specification	Remark
	* AA91-00296	JASSY CABINET FRONT;- ,2972F KS4A,S907P+D9	
CF+GRI	6003-001026	SCREW-TAPTITE:RH,+ ,B,M4,L15,ZPC(BLK),SWR	
KCON+C	6003-001019	SCREW-TAPTITE:RH,+ ,B,M4,L12,ZPC(BLK),SWR	
LED+CF	6003-001019	SCREW-TAPTITE:RH,+ ,B,M4,L12,ZPC(BLK),SWR	
	AA64-00632B	KNOB-POWER;- ,29A7,AL,ABS,HB,GRAY	
	AA64-00634B	WINDOW-REMOCON;- ,29A7,- ,PC,VO,VIOLET,-	
	AA64-00635B	INDICATOR-LED;- ,29A7,6G,ACRYL,- ,SMOG,-	
	AA64-701117B	BADGE-BRAND:AL,SS,SILVER,L65,R2000,-,-	
	AA65-00011C	CLAMP-WIRE:ALL MODEL,NYLON 66,V2,NTR,25M	
	AA64-00630B	KNOB-CONTROL;- ,29A7,AL,ABS,HB,GRAY	
	AA61-00343A	SPRING-CS;- ,SUS304,-,-,- ,0.4,0D6,H12,N	
	AA63-00229F	GRILLE-SPEAKER:29A7,SV907P,HIPS,- ,G4309,	
	AA64-00627H	CABINET FRONT:TSK2792F(29A7),S907P+D908P	

ASSY CHASSIS PART

Loc. No.	Code No.	Description ; Specification	Remark
	* AA90-00225	CASSY CHASSIS PART:KS4A,29A7	
	AA61-20271A	HOLDER-CHASSIS;- ,CS823V,HIPS,VO,GRY,-	

ASSY CABINET

Loc. No.	Code No.	Description ; Specification	Remark
	* AA90-00224	FASSY CABINET:29A7,TSK2792FX/XAA	
BRAC+C	6003-001026	SCREW-TAPTITE:RH,+ ,B,M4,L15,ZPC(BLK),SWR	
CB+CF	AA60-10050T	SCREW-TAPPING:RH,+ ,2S,M4,L20,ZPC(BLK),SW	
CB+TER	AA60-10050T	SCREW-TAPPING:RH,+ ,2S,M4,L20,ZPC(BLK),SW	
CRT+CF	AA60-10050V	SCREW-ASSY:WC,HH,+ ,M6,L30,SWRCH18A,ZPC(S)	
DOME+C	AA60-10050A	SCREW-ASSY:WPRH,+ ,M4,L25,SWRCH18A,- ,ZPC	
DOOR+C	6002-000522	SCREW-TAPPING:TH,+ ,2,M4,L15,ZPC(BLK),SWR	
PCB	AA64-01291B	INLAY COVER:D4,PVC-SHEET,TO,4,94,VO,BLK,	
PCB+CF	6003-001026	SCREW-TAPTITE:RH,+ ,B,M4,L15,ZPC(BLK),SWR	
PORT+C	AA60-10050T	SCREW-TAPPING:RH,+ ,2S,M4,L20,ZPC(BLK),SW	
TER+RC	AA60-10050T	SCREW-TAPPING:RH,+ ,2S,M4,L20,ZPC(BLK),SW	
	AA65-30113A	CLAMP-D,COIL:NYLON 66,V2,BLK,TVI 25-29,-	
	AA91-00087B	ASSY HOLDER SPK;- ,ABS,HB,GRAY,SV704P,29A	
	AA65-30017A	CLAMP-D,COIL:NYLON-66,VO,NTR,DADH300,25	
	AA69-30032F	BAG-SHEET:HDPE+PE FOAM,- ,W1400,H1400,-,-	
	AA65-30008A	CLAMP-CORD:PE,HB,BLK,-,-,-	
	AA61-10053A	BRACKET-CRATER;- ,7277,STS304,TO,5,-,-,-	
	AA63-60001X	SPACER-FELT:FELT,TO,5,BLK,330X15,-,-	
	AA63-60004Y	SPACER-GUM,CRT,NTR RUBBER,T2,0,RED,-,ALL	
	AA64-60421C	INLAY COVER;- ,SEA,PS,TO,3,BLK,-,-	

Loc. No.	Code No.	Description ; Specification	Remark
----------	----------	-----------------------------	--------

ASSY PCB CRT

Loc. No.	Code No.	Description ; Specification	Remark
	* AA95-00495	AASSY PCB CRT;- ,KS4A,29,- ,CRT DRIVE,V/M,	
C503	2303-000186	C-FILM,PPF:22nF,5%,400V,BK,19.5x13.5x8,1	
C510	2303-000186	C-FILM,PPF:22nF,5%,400V,BK,19.5x13.5x8,1	
C511	2303-000186	C-FILM,PPF:22nF,5%,400V,BK,19.5x13.5x8,1	
C512	2303-000186	C-FILM,PPF:22nF,5%,400V,BK,19.5x13.5x8,1	
C522	2201-000969	C-CERAMIC,DISC:10nF,+80-20%,3.15kV,Y5V,T	
CNC01	3711-003641	CONNECTOR-HEADER:BOX,12P,1R,2.5mm,STRAIG	
CNC01A	AA39-20032G	LEAD CONNECTOR-ASSY;- ,67096-012,5,12P,50	
CNC02	3711-003052	CONNECTOR-HEADER:BOX,10P,1R,2.5mm,STRAGH	
CNC02A	AA39-00112C	LEAD CONNECTOR-ASSY;- ,,-,-,-,-,-,-,-,35	
△ IC501	1201-001131	IC-VIDEO AMP:6111,SIP,9P,- ,SINGLE,- ,PLAS	H/SINK
△ IC502	1201-000010	IC-OP AMP:2030,PENTAWATT,5P,- ,SINGLE,- ,C	H/SINK
△ IC503	1201-000010	IC-OP AMP:2030,PENTAWATT,5P,- ,SINGLE,- ,C	H/SINK
△ IC504	1201-000010	IC-OP AMP:2030,PENTAWATT,5P,- ,SINGLE,- ,C	H/SINK
△ QF09	0502-000131	TR-POWER:2SA1011-D,PNP,1.2W,TO-220,- ,60	H/SINK
△ QF10	0502-000153	TR-POWER:2SC2344-D,PNP,1.2W,TO-220,- ,60	H/SINK
△ VA999	3704-001032	SOCKET-CRT:8P,29P1,35,5PI,AU30U	
C501	2201-000949	C-CERAMIC,DISC:0.005nF,0.5pF,50V,UJ,TP,4	
C502	2201-000436	C-CERAMIC,DISC:0.002nF,0.25pF,50V,SL,TP	
C504	2301-000016	C-FILM,PEF:22nF,5%,100V,TP,7.2x4.5x9.0mm	
C505	2301-000016	C-FILM,PEF:22nF,5%,100V,TP,7.2x4.5x9.0mm	
C506	2301-000016	C-FILM,PEF:22nF,5%,100V,TP,7.2x4.5x9.0mm	
C507	2301-000016	C-FILM,PEF:22nF,5%,100V,TP,7.2x4.5x9.0mm	
C509	2301-000016	C-FILM,PEF:22nF,5%,100V,TP,7.2x4.5x9.0mm	
C513	2201-000599	C-CERAMIC,DISC:0.56nF,10%,500V,Y5P,TP,5	
C514	2201-000599	C-CERAMIC,DISC:0.56nF,10%,500V,Y5P,TP,5	
C515	2201-000599	C-CERAMIC,DISC:0.56nF,10%,500V,Y5P,TP,5	
C516	2401-001176	C-AL:33uF,20%,25V,GP,TP,5x11,5	
C520	2401-000703	C-AL:2200uF,20%,25V,GP,- ,12.5x255mm,	
C528	2401-000832	C-AL:220uF,20%,25V,GP,TP,8x11.5,5	
C531	2401-002264	C-AL:10uF,20%,350V,GP,TP,10x20mm,5m	
C532	2401-001563	C-AL:47uF,20%,400V,GP,TP,16x25,7,5	
C533	2305-000665	C-FILM,MPEF:100nF,5%,63V,TP,7.5x4.0x5.0m	
C534	2401-000832	C-AL:220uF,20%,25V,GP,TP,8x11.5,5	
C535	2401-000914	C-AL:22uF,20%,16V,GP,TP,5x11,5	
CF01	2201-000982	C-CERAMIC,DISC:10nF,+80-20%,50V,Y5V,TP,4	
CF02	2201-000292	C-CERAMIC,DISC:1nF,10%,50V,Y5P,TP,5x3,5	
CF03	2201-000192	C-CERAMIC,DISC:0.01nF,0.25pF,500V,NPO,TP	
CF04	2201-000516	C-CERAMIC,DISC:4.7nF,+100-0%,500V,Y5U,TP	
CF05	2301-000261	C-FILM,PEF:4.7nF,5%,100V,TP,10.5x12.5x6	
CF06	2201-000192	C-CERAMIC,DISC:0.01nF,0.25pF,500V,NPO,TP	
CF07	2201-000604	C-CERAMIC,DISC:0.056nF,+100-0%,500V,SL,T	
CF71	2401-000832	C-AL:220uF,20%,25V,GP,TP,8x11.5,5	
CF73	2401-001157	C-AL:33uF,20%,160V,GP,TP,12.5x20,5	
CF74	2401-002235	C-AL:10uF,20%,16V,GP,TP,5x11mm,5mm	
CF75	2401-000045	C-AL:10uF,20%,160V,GP,TP,10x16,5	
D501	0401-000005	DIODE-SWITCHING:1N4148,100V,200MA,DO-35,	
D502	0402-000546	DIODE-RECTIFIER:TVR10G,400V,1.0A,DO-41,T	
D504	0402-000132	DIODE-RECTIFIER:1N4004,400V,1A,DO-41,T	
D509	0402-000546	DIODE-RECTIFIER:TVR10G,400V,1.0A,DO-41,T	
D510	0402-000546	DIODE-RECTIFIER:TVR10G,400V,1.0A,DO-41,T	
D511	0402-000546	DIODE-RECTIFIER:TVR10G,400V,1.0A,DO-41,T	
D512	0402-000546	DIODE-RECTIFIER:TVR10G,400V,1.0A,DO-41,T	
D513	0402-000546	DIODE-RECTIFIER:TVR10G,400V,1.0A,DO-41,T	
D514	0402-000546	DIODE-RECTIFIER:TVR10G,400V,1.0A,DO-41,T	
DF01	0401-000005	DIODE-SWITCHING:1N4148,100V,200MA,DO-35,	
DF02	0401-000005	DIODE-SWITCHING:1N4148,100V,200MA,DO-35,	
DF05	0401-000005	DIODE-SWITCHING:1N4148,100V,200MA,DO-35,	
DF06	0401-000005	DIODE-SWITCHING:1N4148,100V,200MA,DO-35,	
DF07	0402-000546	DIODE-RECTIFIER:TVR10G,400V,1.0A,DO-41,T	
DF08	0402-000546	DIODE-RECTIFIER:TVR10G,400V,1.0A,DO-41,T	
DZ501	0403-001211	DIODE-ZENER:MTZJ12B,11.44-12.03V,500MW,D	
DZ502	0403-001211	DIODE-ZENER:MTZJ12B,11.44-12.03V,500MW,D	
DZ503	0403-001211	DIODE-ZENER:MTZJ12B,11.44-12.03V,500MW,D	
DZ504	0403-001324	DIODE-ZENER:MTZJ13A,12.11-12.75V,500mW,D	
DZ510	0403-000698	DIODE-ZENER:TZP12A,12V,11.4-12.6V,1W,DO-	
FN1	3711-002643	CONNECTOR-HEADER:BOX,4P,1R,2.5MM,STRAIGH	
FV1	3711-002642	CONNECTOR-HEADER:BOX,3P,1R,2.5MM,STRAIGH	
L502	2701-000178	INDUCTOR-AXIAL:33uH,10%,3x7mm	
LF01	3301-000287	CORE-FERRITE BEAD:AA,3.5x1.0x6.0mm,1500,	
LF02	3301-000287	CORE-FERRITE BEAD:AA,3.5x1.0x6.0mm,1500,	
LF03	2701-000112	INDUCTOR-AXIAL:100uH,10%,3x7mm	
LF04	3301-000287	CORE-FERRITE BEAD:AA,3.5x1.0x6.0mm,1500,	

Electrical Parts List

Loc. No.	Code No.	Description ; Specification	Remark	Loc. No.	Code No.	Description ; Specification	Remark
CR22	2007-000290	R-CHIP;1000HM,5%,1/10W,DA,TP,2012		DL05	2702-001094	INDUCTOR-RADIAL:10uH,10%,6x4mm	
CR26	2007-000290	R-CHIP:1000HM,5%,1/10W,DA,TP,2012		DL06	2702-001094	INDUCTOR-RADIAL:10uH,10%,6x4mm	
CR27	2007-000290	R-CHIP:1000HM,5%,1/10W,DA,TP,2012		DL07	2702-001092	INDUCTOR-RADIAL:2.2uH,10%,6x4mm	
CR28	2007-000468	R-CHIP:1KOHM,5%,1/10W,DA,TP,2012		DQ01	0501-000283	TR-SMALL SIGNAL:KSA539,PNP,400mW,TO-92,T	
CR29	2007-000493	R-CHIP:2.2KOHM,5%,1/10W,DA,TP,2012		DR01	2007-000290	R-CHIP:1000HM,5%,1/10W,DA,TP,2012	
CR30	2007-000030	R-CHIP:560OHM,5%,1/10W,DA,TP,2012		DR02	2007-000290	R-CHIP:1000HM,5%,1/10W,DA,TP,2012	
CR31	2007-000642	R-CHIP:270OHM,5%,1/10W,DA,TP,2012		DR03	2007-001055	R-CHIP:6.2KOHM,5%,1/10W,DA,TP,2012	
CR32	2007-000290	R-CHIP:1000HM,5%,1/10W,DA,TP,2012		DR04	2007-000401	R-CHIP:1500HM,5%,1/10W,DA,TP,2012	
CR33	2007-000290	R-CHIP:1000HM,5%,1/10W,DA,TP,2012		DR05	2007-000290	R-CHIP:1000HM,5%,1/10W,DA,TP,2012	
CR35	2007-000300	R-CHIP:10KOHM,5%,1/10W,DA,TP,2012		DR06	2007-000290	R-CHIP:1000HM,5%,1/10W,DA,TP,2012	
CR37	2007-000290	R-CHIP:1000HM,5%,1/10W,DA,TP,2012		DR07	2007-000401	R-CHIP:1500HM,5%,1/10W,DA,TP,2012	
CR38	2007-000290	R-CHIP:1000HM,5%,1/10W,DA,TP,2012		DR08	2007-000290	R-CHIP:1000HM,5%,1/10W,DA,TP,2012	
CR41	2007-000029	R-CHIP:0OHM,5%,1/10W,DA,TP,2012		DR09	2007-000290	R-CHIP:1000HM,5%,1/10W,DA,TP,2012	
CR45	2007-000290	R-CHIP:1000HM,5%,1/10W,DA,TP,2012		DR10	2007-000401	R-CHIP:1500HM,5%,1/10W,DA,TP,2012	
CR46	2007-000468	R-CHIP:1KOHM,5%,1/10W,DA,TP,2012		DR11	2007-000290	R-CHIP:1000HM,5%,1/10W,DA,TP,2012	
CR47	2007-000941	R-CHIP:47KOHM,5%,1/10W,DA,TP,2012		DR12	2007-000290	R-CHIP:1000HM,5%,1/10W,DA,TP,2012	
CR48	2007-000941	R-CHIP:47KOHM,5%,1/10W,DA,TP,2012		DR13	2007-000380	R-CHIP:13KOHM,5%,1/10W,DA,TP,2012	
CR49	2007-000931	R-CHIP:470OHM,5%,1/10W,DA,TP,2012		DR14	2007-000300	R-CHIP:10KOHM,5%,1/10W,DA,TP,2012	
CR50	2007-000941	R-CHIP:47KOHM,5%,1/10W,DA,TP,2012		DR15	2007-000401	R-CHIP:1500HM,5%,1/10W,DA,TP,2012	
CR51	2007-000941	R-CHIP:47KOHM,5%,1/10W,DA,TP,2012		DR16	2007-000290	R-CHIP:1000HM,5%,1/10W,DA,TP,2012	
CR52	2007-000931	R-CHIP:470OHM,5%,1/10W,DA,TP,2012		DR17	2007-000290	R-CHIP:1000HM,5%,1/10W,DA,TP,2012	
CR53	2007-000941	R-CHIP:47KOHM,5%,1/10W,DA,TP,2012		DR18	2007-001208	R-CHIP:82KOHM,5%,1/10W,DA,TP,2012	
CR54	2007-000941	R-CHIP:47KOHM,5%,1/10W,DA,TP,2012		DR19	2007-000947	R-CHIP:470HM,5%,1/10W,DA,TP,2012	
CR55	2007-000931	R-CHIP:470OHM,5%,1/10W,DA,TP,2012		DR20	2007-000518	R-CHIP:2.7KOHM,5%,1/10W,DA,TP,2012	
CX01	2801-003432	CRYSTAL-UNIT:20.25MHZ,30PPM,28-AAAM,13PF,		DR22	2007-000872	R-CHIP:4.7KOHM,5%,1/10W,DA,TP,2012	
DC01	2401-003102	C-AL:100uF,20%,10V,GP,TP,5x11,5		DR23	2007-000941	R-CHIP:47KOHM,5%,1/10W,DA,TP,2012	
DC02	2203-000218	C-CERAMIC,CHIP:100nF,20%,50V,Y5V,TP,2012		DR24	2007-000001	R-CHIP:68KOHM,5%,1/10W,DA,TP,2012	
DC03	2203-000218	C-CERAMIC,CHIP:100nF,20%,50V,Y5V,TP,2012		DR25	2007-000653	R-CHIP:27KOHM,5%,1/10W,DA,TP,2012	
DC04	2203-000218	C-CERAMIC,CHIP:100nF,20%,50V,Y5V,TP,2012		DR26	2007-000300	R-CHIP:10KOHM,5%,1/10W,DA,TP,2012	
DC05	2203-000218	C-CERAMIC,CHIP:100nF,20%,50V,Y5V,TP,2012		DR27	2007-001224	R-CHIP:9.1KOHM,5%,1/10W,DA,TP,2012	
DC06	2203-000142	C-CERAMIC,CHIP:1.5nF,10%,50V,X7R,TP,2012		DR28	2007-000300	R-CHIP:10KOHM,5%,1/10W,DA,TP,2012	
DC07	2203-000239	C-CERAMIC,CHIP:0.1nF,5%,50V,NPO,TP,2012		DR29	2007-000468	R-CHIP:1KOHM,5%,1/10W,DA,TP,2012	
DC08	2203-000218	C-CERAMIC,CHIP:100nF,20%,50V,Y5V,TP,2012		DR30	2007-000468	R-CHIP:1KOHM,5%,1/10W,DA,TP,2012	
DC09	2203-000555	C-CERAMIC,CHIP:0.02nF,5%,50V,NPO,TP,2012		DR31	2007-000468	R-CHIP:1KOHM,5%,1/10W,DA,TP,2012	
DC10	2203-000218	C-CERAMIC,CHIP:100nF,20%,50V,Y5V,TP,2012		DR32	2007-000822	R-CHIP:390OHM,5%,1/10W,DA,TP,2012	
DC11	2203-000555	C-CERAMIC,CHIP:0.02nF,5%,50V,NPO,TP,2012		DR33	2007-000468	R-CHIP:1KOHM,5%,1/10W,DA,TP,2012	
DC12	2203-000555	C-CERAMIC,CHIP:0.02nF,5%,50V,NPO,TP,2012		DR34	2007-000290	R-CHIP:1000HM,5%,1/10W,DA,TP,2012	
DC13	2203-000218	C-CERAMIC,CHIP:100nF,20%,50V,Y5V,TP,2012		DR35	2007-000872	R-CHIP:4.7KOHM,5%,1/10W,DA,TP,2012	
DC14	2203-000218	C-CERAMIC,CHIP:100nF,20%,50V,Y5V,TP,2012		DR36	2007-000931	R-CHIP:470OHM,5%,1/10W,DA,TP,2012	
DC15	2203-000218	C-CERAMIC,CHIP:100nF,20%,50V,Y5V,TP,2012		DR37	2007-000872	R-CHIP:4.7KOHM,5%,1/10W,DA,TP,2012	
DC16	2401-002144	C-AL:47uF,20%,16V,GP,TP,5x11,5		DR38	2007-000267	R-CHIP:1.8KOHM,5%,1/10W,DA,TP,2012	
DC17	2401-003102	C-AL:100uF,20%,10V,GP,TP,5x11,5		DR40	2007-000290	R-CHIP:1000HM,5%,1/10W,DA,TP,2012	
DC18	2203-000218	C-CERAMIC,CHIP:100nF,20%,50V,Y5V,TP,2012		DR41	2007-000290	R-CHIP:1000HM,5%,1/10W,DA,TP,2012	
DC19	2401-003102	C-AL:100uF,20%,10V,GP,TP,5x11,5		DR42	2007-000290	R-CHIP:1000HM,5%,1/10W,DA,TP,2012	
DC20	2203-000218	C-CERAMIC,CHIP:100nF,20%,50V,Y5V,TP,2012		DR43	2007-000290	R-CHIP:1000HM,5%,1/10W,DA,TP,2012	
DC21	2203-001088	C-CERAMIC,CHIP:0.005nF,0.25pF,50V,NPO,TP		DR44	2007-000872	R-CHIP:4.7KOHM,5%,1/10W,DA,TP,2012	
DC22	2203-001088	C-CERAMIC,CHIP:0.005nF,0.25pF,50V,NPO,TP		DR46	2007-000493	R-CHIP:2.2KOHM,5%,1/10W,DA,TP,2012	
DC23	2203-000922	C-CERAMIC,CHIP:470nF,+80-20%,25V,Y5V,TP,		DR48	2007-000297	R-CHIP:10KOHM,1%,1/10W,DA,TP,2012	
DC24	2203-000938	C-CERAMIC,CHIP:0.47nF,5%,50V,NPO,TP,2012		IC01	1204-001598	IC-VIDEO PROCESS:VPC3230D-B2,QFP,80P,-P	
DC25	2203-000444	C-CERAMIC,CHIP:1nF,10%,50V,X7R,TP,2012,-		△ IC02	AA13-00095A	IC ASIC:-,SDP01,OFF,128PPROSCAN	
DC26	2203-000444	C-CERAMIC,CHIP:1nF,10%,50V,X7R,TP,2012,-		△ IC03	1105-001035	IC-DRAM:416S1120,1Mx16Bit,TSOP,50P,400	
DC27	2401-000603	C-AL:1uF,20%,50V,GP,TP,5x11,5		△ IC04	1105-001035	IC-DRAM:416S1120,1Mx16Bit,TSOP,50P,400	
DC28	2203-000218	C-CERAMIC,CHIP:100nF,20%,50V,Y5V,TP,2012		△ IC05	1002-001045	IC-D/A CONVERTER:9280,8BIT,PLCC,68P,-,	
DC29	2203-000444	C-CERAMIC,CHIP:1nF,10%,50V,X7R,TP,2012,-		△ IC06	1204-001372	IC-HOR./VER.PROCESSO:SDA9361,QFP,44P,-P	
DC30	2203-000444	C-CERAMIC,CHIP:1nF,10%,50V,X7R,TP,2012,-		△ IC07	1204-001550	IC-VIDEO PROCESS:CXA2101AQ,QFP,80P,-PLA	
DC31	2203-000444	C-CERAMIC,CHIP:1nF,10%,50V,X7R,TP,2012,-		△ IC11	1203-001419	IC-VOLTAGE REGULATOR:4931,TO-252,3P,6.6x	
DC32	2203-000218	C-CERAMIC,CHIP:100nF,20%,50V,Y5V,TP,2012		△ IC12	1203-001140	IC-VOL. DETECTOR:7039,TO-92P,3P,-PLASTI	
DC33	2203-000218	C-CERAMIC,CHIP:100nF,20%,50V,Y5V,TP,2012		△ IC13	1203-001359	IC-POSI.FIXED REG.:1086,TO-263,3P,15.8MM	
DC34	2203-001002	C-CERAMIC,CHIP:0.047nF,5%,50V,NPO,TP,201		△ IC14	1202-000001	IC-VOLTAGE COMP.:7533,TO-92,3P,-,SINGLE,	
DC35	2203-000218	C-CERAMIC,CHIP:100nF,20%,50V,Y5V,TP,2012		PC01	2203-002392	C-CERAMIC,CHIP:220nF,+80-20%,50V,Y5V,TP,	
DC36	2203-000239	C-CERAMIC,CHIP:0.1nF,5%,50V,NPO,TP,2012		PC02	2203-000142	C-CERAMIC,CHIP:1.5nF,10%,50V,X7R,TP,2012	
DC37	2203-000142	C-CERAMIC,CHIP:1.5nF,10%,50V,X7R,TP,2012		PC03	2203-000839	C-CERAMIC,CHIP:0.39nF,5%,50V,NPO,TP,2012	
DC38	2203-000239	C-CERAMIC,CHIP:0.1nF,5%,50V,NPO,TP,2012		PC04	2203-000218	C-CERAMIC,CHIP:100nF,20%,50V,Y5V,TP,2012	
DC39	2401-000603	C-AL:1uF,20%,50V,GP,TP,5x11,5		PC05	2203-000979	C-CERAMIC,CHIP:47nF,10%,50V,X7R,TP,2012	
DC40	2203-000218	C-CERAMIC,CHIP:100nF,20%,50V,Y5V,TP,2012		PC06	2203-000142	C-CERAMIC,CHIP:1.5nF,10%,50V,X7R,TP,2012	
DC41	2401-000480	C-AL:10uF,20%,50V,GP,TP,5x11,5		PC07	2203-000218	C-CERAMIC,CHIP:100nF,20%,50V,Y5V,TP,2012	
DC42	2401-000480	C-AL:10uF,20%,50V,GP,TP,5x11,5		PC08	2203-000218	C-CERAMIC,CHIP:100nF,20%,50V,Y5V,TP,2012	
DC43	2401-000480	C-AL:10uF,20%,50V,GP,TP,5x11,5		PC09	2203-000218	C-CERAMIC,CHIP:100nF,20%,50V,Y5V,TP,2012	
DD01	0401-000133	DIODE-SWITCHING:RLS4148,100V,200mA,SOD-8		PC10	2203-000218	C-CERAMIC,CHIP:100nF,20%,50V,Y5V,TP,2012	
DD02	0401-000133	DIODE-SWITCHING:RLS4148,100V,200mA,SOD-8		PC11	2203-000218	C-CERAMIC,CHIP:100nF,20%,50V,Y5V,TP,2012	
DD03	0403-000689	DIODE-ZENER:DTZ5.1A,5.1V,4.84-5.04V,200m		PC12	2203-001172	C-CERAMIC,CHIP:0.006nF,0.25pF,50V,NPO,TP	
DD06	0403-000689	DIODE-ZENER:DTZ5.1A,5.1V,4.84-5.04V,200m		PC13	2203-001172	C-CERAMIC,CHIP:0.006nF,0.25pF,50V,NPO,TP	
DD07	0401-000133	DIODE-SWITCHING:RLS4148,100V,200mA,SOD-8		PC14	2401-002042	C-AL:220uF,20%,10V,GP,TP,6.3x11,5	
DL01	2702-001094	INDUCTOR-RADIAL:10uH,10%,6x4mm		PC15	2203-000979	C-CERAMIC,CHIP:47nF,10%,50V,X7R,TP,2012	
DL02	2702-001094	INDUCTOR-RADIAL:10uH,10%,6x4mm		PC16	2401-002144	C-AL:47uF,20%,16V,GP,TP,5x11,5	
DL03	2702-001094	INDUCTOR-RADIAL:10uH,10%,6x4mm		PC17	2203-002392	C-CERAMIC,CHIP:220nF,+80-20%,50V,Y5V,TP,	
DL04	2702-001094	INDUCTOR-RADIAL:10uH,10%,6x4mm		PC18	2203-000142	C-CERAMIC,CHIP:1.5nF,10%,50V,X7R,TP,2012	

Loc. No.	Code No.	Description ; Specification	Remark	Loc. No.	Code No.	Description ; Specification	Remark
PC19	2203-000839	C-CERAMIC,CHIP:0.39nF,5%,50V,NP0,TP,2012		SC21	2203-000218	C-CERAMIC,CHIP:100nF,20%,50V,Y5V,TP,2012	
PC20	2203-000444	C-CERAMIC,CHIP:1nF,10%,50V,X7R,TP,2012,-		SC22	2203-000218	C-CERAMIC,CHIP:100nF,20%,50V,Y5V,TP,2012	
PC21	2203-002442	C-CERAMIC,CHIP:330nF,+80-20%,25V,Y5V,TP,		SC23	2401-002144	C-AL:47uF,20%,16V,GP,TP,5x11,5	
PC22	2203-002442	C-CERAMIC,CHIP:330nF,+80-20%,25V,Y5V,TP,		SC24	2203-000218	C-CERAMIC,CHIP:100nF,20%,50V,Y5V,TP,2012	
PC23	2401-002144	C-AL:47uF,20%,16V,GP,TP,5x11,5		SC25	2203-000218	C-CERAMIC,CHIP:100nF,20%,50V,Y5V,TP,2012	
PC24	2203-002392	C-CERAMIC,CHIP:220nF,+80-20%,50V,Y5V,TP,		SC26	2203-000218	C-CERAMIC,CHIP:100nF,20%,50V,Y5V,TP,2012	
PC25	2203-000142	C-CERAMIC,CHIP:1.5nF,10%,50V,X7R,TP,2012		SC27	2203-000218	C-CERAMIC,CHIP:100nF,20%,50V,Y5V,TP,2012	
PC26	2203-000839	C-CERAMIC,CHIP:0.39nF,5%,50V,NP0,TP,2012		SC28	2203-000218	C-CERAMIC,CHIP:100nF,20%,50V,Y5V,TP,2012	
PC27	2401-002042	C-AL:220uF,20%,10V,GP,TP,6.3x11,5		SC29	2203-000218	C-CERAMIC,CHIP:100nF,20%,50V,Y5V,TP,2012	
PC28	2203-000979	C-CERAMIC,CHIP:47nF,10%,50V,X7R,TP,2012		SC30	2401-003102	C-AL:100uF,20%,10V,GP,TP,5x11,5	
PC29	2203-000218	C-CERAMIC,CHIP:100nF,20%,50V,Y5V,TP,2012		SC31	2203-000218	C-CERAMIC,CHIP:100nF,20%,50V,Y5V,TP,2012	
PC30	2203-000218	C-CERAMIC,CHIP:100nF,20%,50V,Y5V,TP,2012		SC32	2401-003102	C-AL:100uF,20%,10V,GP,TP,5x11,5	
PC31	2203-000218	C-CERAMIC,CHIP:100nF,20%,50V,Y5V,TP,2012		SC33	2203-000218	C-CERAMIC,CHIP:100nF,20%,50V,Y5V,TP,2012	
PC32	2203-000218	C-CERAMIC,CHIP:100nF,20%,50V,Y5V,TP,2012		SC34	2203-000218	C-CERAMIC,CHIP:100nF,20%,50V,Y5V,TP,2012	
PC33	2203-000218	C-CERAMIC,CHIP:100nF,20%,50V,Y5V,TP,2012		SC35	2401-000603	C-AL:1uF,20%,50V,GP,TP,5x11,5	
PC34	2203-000218	C-CERAMIC,CHIP:100nF,20%,50V,Y5V,TP,2012		SC37	2203-000218	C-CERAMIC,CHIP:100nF,20%,50V,Y5V,TP,2012	
PC35	2203-000218	C-CERAMIC,CHIP:100nF,20%,50V,Y5V,TP,2012		SC38	2203-000218	C-CERAMIC,CHIP:100nF,20%,50V,Y5V,TP,2012	
PC36	2203-000218	C-CERAMIC,CHIP:100nF,20%,50V,Y5V,TP,2012		SC39	2401-003102	C-AL:100uF,20%,10V,GP,TP,5x11,5	
PC37	2203-000218	C-CERAMIC,CHIP:100nF,20%,50V,Y5V,TP,2012		SC40	2203-000239	C-CERAMIC,CHIP:0.1nF,5%,50V,NP0,TP,2012	
PC38	2203-000218	C-CERAMIC,CHIP:100nF,20%,50V,Y5V,TP,2012		SL01	2007-000493	R-CHIP:2.2KOHM,5%,1/10W,DA,TP,2012	
PC39	2203-000218	C-CERAMIC,CHIP:100nF,20%,50V,Y5V,TP,2012		SL02	2901-000297	FILTER-EMI ON BOARD:-,3A,-,3.5x5,TP,-	
PC40	2203-000218	C-CERAMIC,CHIP:100nF,20%,50V,Y5V,TP,2012		SL03	2702-001094	INDUCTOR-RADIAL:10uH,10%,6x4mm	
PC41	2401-002144	C-AL:47uF,20%,16V,GP,TP,5x11,5		SL04	2702-001094	INDUCTOR-RADIAL:10uH,10%,6x4mm	
PC42	2203-000218	C-CERAMIC,CHIP:100nF,20%,50V,Y5V,TP,2012		SL06	2901-000297	FILTER-EMI ON BOARD:-,3A,-,3.5x5,TP,-	
PC43	2401-002144	C-AL:47uF,20%,16V,GP,TP,5x11,5		SR01	2007-000572	R-CHIP:220OHM,5%,1/10W,DA,TP,2012	
PC44	2401-002144	C-AL:47uF,20%,16V,GP,TP,5x11,5		SR02	2007-000572	R-CHIP:220OHM,5%,1/10W,DA,TP,2012	
PC45	2203-000218	C-CERAMIC,CHIP:100nF,20%,50V,Y5V,TP,2012		SR03	2011-000585	R-NETWORK:47ohm,5%,63mW,L,CHIP,8P,TP	
PC46	2401-002144	C-AL:47uF,20%,16V,GP,TP,5x11,5		SR04	2011-000585	R-NETWORK:47ohm,5%,63mW,L,CHIP,8P,TP	
PC52	2203-002392	C-CERAMIC,CHIP:220nF,+80-20%,50V,Y5V,TP,		SR05	2011-000585	R-NETWORK:47ohm,5%,63mW,L,CHIP,8P,TP	
PC53	2203-000979	C-CERAMIC,CHIP:47nF,10%,50V,X7R,TP,2012		SR06	2011-000585	R-NETWORK:47ohm,5%,63mW,L,CHIP,8P,TP	
PC54	2203-002392	C-CERAMIC,CHIP:220nF,+80-20%,50V,Y5V,TP,		SR07	2011-000585	R-NETWORK:47ohm,5%,63mW,L,CHIP,8P,TP	
PC55	2203-002442	C-CERAMIC,CHIP:330nF,+80-20%,25V,Y5V,TP,		SR08	2011-000585	R-NETWORK:47ohm,5%,63mW,L,CHIP,8P,TP	
PC56	2203-002442	C-CERAMIC,CHIP:330nF,+80-20%,25V,Y5V,TP,		SR09	2011-000585	R-NETWORK:47ohm,5%,63mW,L,CHIP,8P,TP	
PC57	2203-002442	C-CERAMIC,CHIP:330nF,+80-20%,25V,Y5V,TP,		SR10	2007-000947	R-CHIP:47OHM,5%,1/10W,DA,TP,2012	
PC58	2203-002442	C-CERAMIC,CHIP:330nF,+80-20%,25V,Y5V,TP,		SR11	2007-000947	R-CHIP:47OHM,5%,1/10W,DA,TP,2012	
PC78	2203-000218	C-CERAMIC,CHIP:100nF,20%,50V,Y5V,TP,2012		SR12	2007-000947	R-CHIP:47OHM,5%,1/10W,DA,TP,2012	
PIC01	1204-001598	IC-VIDEO PROCESS:VPC3230D-B2,QFP,80P,-,P		SR13	2011-000585	R-NETWORK:47ohm,5%,63mW,L,CHIP,8P,TP	
PIC02	1109-001144	IC-FIFO:81V04160,2x256Kx8Bit,TQFP,100P		SR14	2011-000585	R-NETWORK:47ohm,5%,63mW,L,CHIP,8P,TP	
PIC04	1203-001419	IC-VOLTAGE REGULATOR:4931,TO-252,3P,6.6x		SR15	2011-000585	R-NETWORK:47ohm,5%,63mW,L,CHIP,8P,TP	
PIC05	1203-001419	IC-VOLTAGE REGULATOR:4931,TO-252,3P,6.6x		SR16	2011-000585	R-NETWORK:47ohm,5%,63mW,L,CHIP,8P,TP	
PL01	2702-001094	INDUCTOR-RADIAL:10uH,10%,6x4mm		SR17	2007-000308	R-CHIP:100HM,5%,1/10W,DA,TP,2012	
PL02	2901-000297	FILTER-EMI ON BOARD:-,3A,-,3.5x5,TP,-		SR50	2007-000290	R-CHIP:100OHM,5%,1/10W,DA,TP,2012	
PL03	2901-000297	FILTER-EMI ON BOARD:-,3A,-,3.5x5,TP,-		SR51	2007-000290	R-CHIP:100OHM,5%,1/10W,DA,TP,2012	
PR01	2007-001166	R-CHIP:75OHM,5%,1/10W,DA,TP,2012		SR52	2007-000938	R-CHIP:47KOHM,1%,1/10W,DA,TP,2012	
PR02	2007-001166	R-CHIP:75OHM,5%,1/10W,DA,TP,2012		SR53	2011-000585	R-NETWORK:47ohm,5%,63mW,L,CHIP,8P,TP	
PR03	2007-000290	R-CHIP:100OHM,5%,1/10W,DA,TP,2012		SR54	2011-000585	R-NETWORK:47ohm,5%,63mW,L,CHIP,8P,TP	
PR04	2007-000290	R-CHIP:100OHM,5%,1/10W,DA,TP,2012		SR55	2011-000585	R-NETWORK:47ohm,5%,63mW,L,CHIP,8P,TP	
PR06	2007-000947	R-CHIP:47OHM,5%,1/10W,DA,TP,2012		SR56	2011-000585	R-NETWORK:47ohm,5%,63mW,L,CHIP,8P,TP	
PR07	2007-000947	R-CHIP:47OHM,5%,1/10W,DA,TP,2012		SR58	2007-000290	R-CHIP:100OHM,5%,1/10W,DA,TP,2012	
PR08	2007-000947	R-CHIP:47OHM,5%,1/10W,DA,TP,2012		SR60	2007-000308	R-CHIP:100HM,5%,1/10W,DA,TP,2012	
PR09	2007-000029	R-CHIP:0OHM,5%,1/10W,DA,TP,2012		SR61	2007-000308	R-CHIP:100HM,5%,1/10W,DA,TP,2012	
PR10	2007-000029	R-CHIP:0OHM,5%,1/10W,DA,TP,2012		SR62	2007-000308	R-CHIP:100HM,5%,1/10W,DA,TP,2012	
PR15	2007-000029	R-CHIP:0OHM,5%,1/10W,DA,TP,2012		SR63	2007-000308	R-CHIP:100HM,5%,1/10W,DA,TP,2012	
PR16	2007-000029	R-CHIP:0OHM,5%,1/10W,DA,TP,2012		SR64	2007-000029	R-CHIP:0OHM,5%,1/10W,DA,TP,2012	
PR17	2007-000029	R-CHIP:0OHM,5%,1/10W,DA,TP,2012		YC01	2203-000922	C-CERAMIC,CHIP:470nF,+80-20%,25V,Y5V,TP,	
PR18	2007-000029	R-CHIP:0OHM,5%,1/10W,DA,TP,2012		YC02	2203-000922	C-CERAMIC,CHIP:470nF,+80-20%,25V,Y5V,TP,	
PR19	2007-000029	R-CHIP:0OHM,5%,1/10W,DA,TP,2012		YC03	2203-000922	C-CERAMIC,CHIP:470nF,+80-20%,25V,Y5V,TP,	
PR20	2007-000290	R-CHIP:100OHM,5%,1/10W,DA,TP,2012		YC04	2203-000922	C-CERAMIC,CHIP:470nF,+80-20%,25V,Y5V,TP,	
PX01	2801-003432	CRYSTAL-UNIT:20.25MHZ,30PPM,28-AAM,13PF,		YC05	2203-000922	C-CERAMIC,CHIP:470nF,+80-20%,25V,Y5V,TP,	
SC01	2203-000218	C-CERAMIC,CHIP:100nF,20%,50V,Y5V,TP,2012		YC08	2203-000922	C-CERAMIC,CHIP:470nF,+80-20%,25V,Y5V,TP,	
SC02	2203-000218	C-CERAMIC,CHIP:100nF,20%,50V,Y5V,TP,2012		YC09	2203-000922	C-CERAMIC,CHIP:470nF,+80-20%,25V,Y5V,TP,	
SC03	2203-000218	C-CERAMIC,CHIP:100nF,20%,50V,Y5V,TP,2012		YC10	2203-000922	C-CERAMIC,CHIP:470nF,+80-20%,25V,Y5V,TP,	
SC04	2203-000218	C-CERAMIC,CHIP:100nF,20%,50V,Y5V,TP,2012		YC11	2203-000922	C-CERAMIC,CHIP:470nF,+80-20%,25V,Y5V,TP,	
SC05	2203-000218	C-CERAMIC,CHIP:100nF,20%,50V,Y5V,TP,2012		YC12	2203-000922	C-CERAMIC,CHIP:470nF,+80-20%,25V,Y5V,TP,	
SC06	2203-000218	C-CERAMIC,CHIP:100nF,20%,50V,Y5V,TP,2012		YC13	2203-000922	C-CERAMIC,CHIP:470nF,+80-20%,25V,Y5V,TP,	
SC07	2401-002144	C-AL:47uF,20%,16V,GP,TP,5x11,5		YC14	2203-000922	C-CERAMIC,CHIP:470nF,+80-20%,25V,Y5V,TP,	
SC08	2203-000218	C-CERAMIC,CHIP:100nF,20%,50V,Y5V,TP,2012		YC15	2203-000922	C-CERAMIC,CHIP:470nF,+80-20%,25V,Y5V,TP,	
SC09	2203-000218	C-CERAMIC,CHIP:100nF,20%,50V,Y5V,TP,2012		YC16	2203-000922	C-CERAMIC,CHIP:470nF,+80-20%,25V,Y5V,TP,	
SC10	2203-000218	C-CERAMIC,CHIP:100nF,20%,50V,Y5V,TP,2012		YC17	2203-000922	C-CERAMIC,CHIP:470nF,+80-20%,25V,Y5V,TP,	
SC11	2203-000218	C-CERAMIC,CHIP:100nF,20%,50V,Y5V,TP,2012		YC18	2203-000922	C-CERAMIC,CHIP:470nF,+80-20%,25V,Y5V,TP,	
SC12	2401-002144	C-AL:47uF,20%,16V,GP,TP,5x11,5		YC19	2203-000922	C-CERAMIC,CHIP:470nF,+80-20%,25V,Y5V,TP,	
SC13	2203-000218	C-CERAMIC,CHIP:100nF,20%,50V,Y5V,TP,2012		YC20	2203-000922	C-CERAMIC,CHIP:470nF,+80-20%,25V,Y5V,TP,	
SC16	2401-002144	C-AL:47uF,20%,16V,GP,TP,5x11,5		YC23	2401-002144	C-AL:47uF,20%,16V,GP,TP,5x11,5	
SC17	2203-000218	C-CERAMIC,CHIP:100nF,20%,50V,Y5V,TP,2012		YC24	2203-000218	C-CERAMIC,CHIP:100nF,20%,50V,Y5V,TP,2012	
SC18	2203-000218	C-CERAMIC,CHIP:100nF,20%,50V,Y5V,TP,2012		YC25	2203-000260	C-CERAMIC,CHIP:10nF,10%,50V,X7R,TP,2012	
SC19	2203-000218	C-CERAMIC,CHIP:100nF,20%,50V,Y5V,TP,2012		YC28	2203-000218	C-CERAMIC,CHIP:100nF,20%,50V,Y5V,TP,2012	
SC20	2203-000218	C-CERAMIC,CHIP:100nF,20%,50V,Y5V,TP,2012		YC29	2203-000218	C-CERAMIC,CHIP:100nF,20%,50V,Y5V,TP,2012	

Electrical Parts List

Loc. No.	Code No.	Description ; Specification	Remark	Loc. No.	Code No.	Description ; Specification	Remark
YC30	2401-002144	C-AL:47uF,20%,16V,GP,TP,5x11,5		YR47	2007-000290	R-CHIP:1000HM,5%,1/10W,DA,TP,2012	
YC31	2203-000218	C-CERAMIC,CHIP:100nF,20%,50V,Y5V,TP,2012		YR48	2007-000290	R-CHIP:1000HM,5%,1/10W,DA,TP,2012	
YC32	2203-000218	C-CERAMIC,CHIP:100nF,20%,50V,Y5V,TP,2012		YR49	2007-000029	R-CHIP:00HM,5%,1/10W,DA,TP,2012	
YC33	2203-000218	C-CERAMIC,CHIP:100nF,20%,50V,Y5V,TP,2012		YR50	2007-000766	R-CHIP:330OHM,5%,1/10W,DA,TP,2012	
YC34	2203-000922	C-CERAMIC,CHIP:470nF,+80-20%,25V,Y5V,TP,		YR51	2007-000766	R-CHIP:330OHM,5%,1/10W,DA,TP,2012	
YC35	2401-000493	C-AL:10uF,20%,50V,LZ,TP,5x11mm,5mm		YR52	2007-000029	R-CHIP:00HM,5%,1/10W,DA,TP,2012	
YC36	2203-000260	C-CERAMIC,CHIP:10nF,10%,50V,X7R,TP,2012		YR53	2007-000290	R-CHIP:1000HM,5%,1/10W,DA,TP,2012	
YC37	2203-000260	C-CERAMIC,CHIP:10nF,10%,50V,X7R,TP,2012		YR56	2007-000468	R-CHIP:1KOHM,5%,1/10W,DA,TP,2012	
YC38	2203-000260	C-CERAMIC,CHIP:10nF,10%,50V,X7R,TP,2012		YR58	2007-000029	R-CHIP:00HM,5%,1/10W,DA,TP,2012	
YC39	2203-000260	C-CERAMIC,CHIP:10nF,10%,50V,X7R,TP,2012		YR59	2007-000300	R-CHIP:1KOHM,5%,1/10W,DA,TP,2012	
YC40	2203-000260	C-CERAMIC,CHIP:10nF,10%,50V,X7R,TP,2012		YR60	2007-000290	R-CHIP:1000HM,5%,1/10W,DA,TP,2012	
YC41	2203-000260	C-CERAMIC,CHIP:10nF,10%,50V,X7R,TP,2012		YR61	2007-000941	R-CHIP:47KOHM,5%,1/10W,DA,TP,2012	
YC42	2401-000480	C-AL:10uF,20%,50V,GP,TP,5x11,5		YR62	2007-000468	R-CHIP:1KOHM,5%,1/10W,DA,TP,2012	
YC45	2203-000922	C-CERAMIC,CHIP:470nF,+80-20%,25V,Y5V,TP,		YR63	2007-000290	R-CHIP:1000HM,5%,1/10W,DA,TP,2012	
YC46	2203-000260	C-CERAMIC,CHIP:10nF,10%,50V,X7R,TP,2012		YR64	2007-000290	R-CHIP:1000HM,5%,1/10W,DA,TP,2012	
YC47	2203-000260	C-CERAMIC,CHIP:10nF,10%,50V,X7R,TP,2012		YR83	2007-000290	R-CHIP:1000HM,5%,1/10W,DA,TP,2012	
YC48	2203-000260	C-CERAMIC,CHIP:10nF,10%,50V,X7R,TP,2012		YR84	2007-000290	R-CHIP:1000HM,5%,1/10W,DA,TP,2012	
YC49	2203-000260	C-CERAMIC,CHIP:10nF,10%,50V,X7R,TP,2012		YR88	2007-000468	R-CHIP:1KOHM,5%,1/10W,DA,TP,2012	
YC50	2203-000922	C-CERAMIC,CHIP:470nF,+80-20%,25V,Y5V,TP,		YR89	2007-000468	R-CHIP:1KOHM,5%,1/10W,DA,TP,2012	
YC52	2203-001088	C-CERAMIC,CHIP:0.005nF,0.25pF,50V,NP0,TP		YR90	2007-000290	R-CHIP:1000HM,5%,1/10W,DA,TP,2012	
YC53	2203-000218	C-CERAMIC,CHIP:100nF,20%,50V,Y5V,TP,2012		YR91	2007-000290	R-CHIP:1000HM,5%,1/10W,DA,TP,2012	
YC54	2203-000218	C-CERAMIC,CHIP:100nF,20%,50V,Y5V,TP,2012		YR92	2007-000290	R-CHIP:1000HM,5%,1/10W,DA,TP,2012	
YC55	2203-000218	C-CERAMIC,CHIP:100nF,20%,50V,Y5V,TP,2012		YR93	2007-000029	R-CHIP:00HM,5%,1/10W,DA,TP,2012	
YC56	2203-000218	C-CERAMIC,CHIP:100nF,20%,50V,Y5V,TP,2012		YR98	2007-000872	R-CHIP:4.7KOHM,5%,1/10W,DA,TP,2012	
YC57	2401-002144	C-AL:47uF,20%,16V,GP,TP,5x11,5					
YC58	2203-000218	C-CERAMIC,CHIP:100nF,20%,50V,Y5V,TP,2012					
YC59	2203-000218	C-CERAMIC,CHIP:100nF,20%,50V,Y5V,TP,2012					
YC60	2203-000218	C-CERAMIC,CHIP:100nF,20%,50V,Y5V,TP,2012					
YC62	2401-000603	C-AL:1uF,20%,50V,GP,TP,5x11,5					
YD01	0403-000620	DIODE-ZENER:RLZ5.6B,5.6V,5.45-5.73V,400m					
YD02	0403-000620	DIODE-ZENER:RLZ5.6B,5.6V,5.45-5.73V,400m					
YD03	0403-001117	DIODE-ZENER:RLZ12B,5%,500mW,LL-34,TP					
YD04	0403-001117	DIODE-ZENER:RLZ12B,5%,500mW,LL-34,TP					
YD05	0403-001117	DIODE-ZENER:RLZ12B,5%,500mW,LL-34,TP					
YF11	2901-000226	FILTER-EMI SMD:25V,0.3A,-,100pF,3.2x1.25					
YF12	2901-000226	FILTER-EMI SMD:25V,0.3A,-,100pF,3.2x1.25					
YF13	2901-000226	FILTER-EMI SMD:25V,0.3A,-,100pF,3.2x1.25					
YF14	2901-000226	FILTER-EMI SMD:25V,0.3A,-,100pF,3.2x1.25					
YF15	2901-000226	FILTER-EMI SMD:25V,0.3A,-,100pF,3.2x1.25					
YL01	2702-001094	INDUCTOR-RADIAL:10uH,10%,6x4mm					
YQ01	0501-000280	TR-SMALL SIGNAL:KSA1182,PNP,150mW,SOT-23					
YQ02	0501-000280	TR-SMALL SIGNAL:KSA1182,PNP,150mW,SOT-23					
YQ03	0501-000280	TR-SMALL SIGNAL:KSA1182,PNP,150mW,SOT-23					
YQ06	0501-000344	TR-SMALL SIGNAL:KSC1623-G,NPN,200mW,SOT-					
YQ08	0501-000280	TR-SMALL SIGNAL:KSA1182,PNP,150mW,SOT-23					
YQ11	0501-000344	TR-SMALL SIGNAL:KSC1623-G,NPN,200mW,SOT-					
YQ12	0501-000344	TR-SMALL SIGNAL:KSC1623-G,NPN,200mW,SOT-					
YR03	2007-000468	R-CHIP:1KOHM,5%,1/10W,DA,TP,2012					
YR05	2007-000290	R-CHIP:1000HM,5%,1/10W,DA,TP,2012					
YR06	2007-000290	R-CHIP:1000HM,5%,1/10W,DA,TP,2012					
YR07	2007-000290	R-CHIP:1000HM,5%,1/10W,DA,TP,2012					
YR08	2007-000290	R-CHIP:1000HM,5%,1/10W,DA,TP,2012					
YR09	2007-000290	R-CHIP:1000HM,5%,1/10W,DA,TP,2012					
YR10	2007-000290	R-CHIP:1000HM,5%,1/10W,DA,TP,2012					
YR11	2007-000290	R-CHIP:1000HM,5%,1/10W,DA,TP,2012					
YR12	2007-000290	R-CHIP:1000HM,5%,1/10W,DA,TP,2012					
YR14	2007-000931	R-CHIP:470OHM,5%,1/10W,DA,TP,2012					
YR15	2007-000938	R-CHIP:47KOHM,1%,1/10W,DA,TP,2012					
YR18	2007-000290	R-CHIP:1000HM,5%,1/10W,DA,TP,2012					
YR23	2007-000468	R-CHIP:1KOHM,5%,1/10W,DA,TP,2012					
YR24	2007-000468	R-CHIP:1KOHM,5%,1/10W,DA,TP,2012					
YR25	2007-000290	R-CHIP:1000HM,5%,1/10W,DA,TP,2012					
YR26	2007-000290	R-CHIP:1000HM,5%,1/10W,DA,TP,2012					
YR27	2007-000290	R-CHIP:1000HM,5%,1/10W,DA,TP,2012					
YR28	2007-000290	R-CHIP:1000HM,5%,1/10W,DA,TP,2012					
YR29	2007-000030	R-CHIP:560OHM,5%,1/10W,DA,TP,2012					
YR30	2007-000290	R-CHIP:1000HM,5%,1/10W,DA,TP,2012					
YR31	2007-000030	R-CHIP:560OHM,5%,1/10W,DA,TP,2012					
YR32	2007-000290	R-CHIP:1000HM,5%,1/10W,DA,TP,2012					
YR33	2007-000030	R-CHIP:560OHM,5%,1/10W,DA,TP,2012					
YR40	2007-000689	R-CHIP:3.3MOHM,5%,1/10W,DA,TP,2012					
YR41	2007-000290	R-CHIP:1000HM,5%,1/10W,DA,TP,2012					
YR42	2007-000029	R-CHIP:00HM,5%,1/10W,DA,TP,2012					
YR43	2007-000029	R-CHIP:00HM,5%,1/10W,DA,TP,2012					
YR44	2007-000029	R-CHIP:00HM,5%,1/10W,DA,TP,2012					
YR45	2007-000029	R-CHIP:00HM,5%,1/10W,DA,TP,2012					
YR46	2007-000290	R-CHIP:1000HM,5%,1/10W,DA,TP,2012					

ASSY-CRT

* AA94-50022AASSY-CRT:A68QCP891X002,+380MG,29,ITC,C

AA03-00076A CRT-COLOR:-A68QCP891X004(C),+380MG,29IN

7-4 TSK3092WFX/XAC (TSK3092WFX/XAC and TSK3092WFX/XAA Dissimilar parts)

Loc. No.	Code No.	Description ; Specification	Remark	Loc. No.	Code No.	Description ; Specification	Remark
ASSY PCB MAIN(OPT)							
* AA94-02686BASSY PCB MAIN(OPT);TSK3092WFX/XAC,KS4A, CANADA,-							
CX01	2401-000480	C-AL:10uF,20%,50V,GP,TP,5x11,5					
DX03	0401-000005	DIODE-SWITCHING;1N4148,100V,200MA,DO-35,TP					
DZD01	0403-000700	DIODE-ZENER:TZP33A,33V,31-35V,1W,DO-41,TP					
DZD02	0403-000700	DIODE-ZENER:TZP33A,33V,31-35V,1W,DO-41,TP					
QX01	1203-001274	IC-VOL. DETECTOR;7545,TO-92,3P,-,PLASTIC,4.35/4					
RU01	2001-000281	R-CARBON:1000HM,5%,1/8W,AA,TP,1.8X3.2MM					
RX03	2001-000008	R-CARBON:15KOHM,5%,1/8W,AA,TP,1.8X3.2MM					

7-5 TSK3092WFX/XAA

Loc. No.	Code No.	Description ; Specification	Remark	Loc. No.	Code No.	Description ; Specification	Remark
ASSY PCB MAIN(OPT)							
* AA94-02686AASSY PCB MAIN(OPT);TSK3092WFX/XAA,KS4A,U							
C670	2401-001840	C-AL:100uF,20%,16V,GP,TP,6.3x11,5		C202	2401-001840	C-AL:100uF,20%,16V,GP,TP,6.3x11,5	
CJ701A	3722-001426	JACK-RCA:9P,3.4mm,NI,BLK,-		C203	2305-000665	C-FILM,MPEF:100nF,5%,63V,TP,7.5x4.0x5.0m	
CJ704A	3722-001427	JACK-RCA:8P,3.4mm,NI,BLK,-		C204	2401-001840	C-AL:100uF,20%,16V,GP,TP,6.3x11,5	
△ IC603	1201-001026	IC-POWER AMP;7265,ZIP,11P,19.6MIL,DUAL,1	H/SINK	C205	2305-000665	C-FILM,MPEF:100nF,5%,63V,TP,7.5x4.0x5.0m	
△ IC804	1203-000203	IC-POS.ADJUST REG.:3050,TO-220,5P,-,PLA	H/SINK	C601	2401-000480	C-AL:10uF,20%,50V,GP,TP,5x11,5	
△ IC805	AA96-50382B	ASSY-H/S;-,-,AA62-30180C,SI-3050,-		C602	2202-000222	C-CERAMIC,MLC-AXIAL:3.3nF,20%,16V,Y5P,TP	
△ ICD603	AA96-50367A	ASSY-H/S;-,-,AA62-30181D,TDA7265,-		C603	2301-000111	C-FILM,PEF:1.8nF,5%,50V,TP,6.5x3.0x5.5mm	
J375	0401-000005	DIODE-SWITCHING;1N4148,100V,200MA,DO-35,		C604	2401-000480	C-AL:10uF,20%,50V,GP,TP,5x11,5	
JVS01	0401-000005	DIODE-SWITCHING;1N4148,100V,200MA,DO-35,		C605	2202-000222	C-CERAMIC,MLC-AXIAL:3.3nF,20%,16V,Y5P,TP	
R215	0401-000005	DIODE-SWITCHING;1N4148,100V,200MA,DO-35,		C606	2301-000111	C-FILM,PEF:1.8nF,5%,50V,TP,6.5x3.0x5.5mm	
CJ702A	3722-001163	JACK-VHS:4P,12mm,AU,BLK,N		C607	2401-000480	C-AL:10uF,20%,50V,GP,TP,5x11,5	
CN501A	3711-003641	CONNECTOR-HEADER:BOX,12P,1R,2.5mm,STRAIG		C608	2202-000796	C-CERAMIC,MLC-AXIAL:1nF,10%,50V,Y5P,TP,3	
CN601	3711-003043	CONNECTOR-HEADER:BOX,4P,1R,2.5mm,STRAIGH		C611	2202-000796	C-CERAMIC,MLC-AXIAL:1nF,10%,50V,Y5P,TP,3	
CN702A	3711-003641	CONNECTOR-HEADER:BOX,12P,1R,2.5mm,STRAIG		C616	2401-002235	C-AL:10uF,20%,16V,GP,TP,5x11mm,5mm	
CN803A	3711-003241	CONNECTOR-HEADER:BOX,14P,1R,2.5mm,STRAIG		C617	2401-001840	C-AL:100uF,20%,16V,GP,TP,6.3x11,5	
CN804A	3711-003241	CONNECTOR-HEADER:BOX,14P,1R,2.5mm,STRAIG		C618	2201-000558	C-CERAMIC,DISC:0.47nF,10%,50V,Y5P,TP,5x3	
△ IC601	1204-001594	IC-SOUND PROCESSOR:MSP3440G-B6,SDIP,52P,		C619	2201-000374	C-CERAMIC,DISC:0.22nF,5%,50V,NP0,TP,10.5	
△ IC602	1201-000407	IC-POWER AMP:7050,DIP,8P,-,SINGLE,-,PLAS		C620	2201-000112	C-CERAMIC,DISC:1.5nF,10%,50V,Y5V,TP,5x3.	
△ IC701	1001-001073	IC-VIDEO SWITCH;TEA6415C,VIDEO SWITCH,DI		C621	2401-002235	C-AL:10uF,20%,16V,GP,TP,5x11mm,5mm	
△ IC702	1001-001113	IC-AUDIO SWITCH;TEA6422,SOUND SWITCH ,SD		C622	2401-001026	C-AL:3.3UF,20%,50V,GP,TP,5x11,5	
△ IC703	1002-001193	IC-A/D&D/A CONVERTER:PCF8591P,8bit,DIP,1		C623	2305-000665	C-FILM,MPEF:100nF,5%,63V,TP,7.5x4.0x5.0m	
△ IC801	1203-000165	IC-POS.ADJUST REG.:78R12,TO-220,3P,-,-,		C624	2401-002235	C-AL:10uF,20%,16V,GP,TP,5x11mm,5mm	
△ IC802	1203-000293	IC-POS.FIXED REG.:7808,TO-220,3P,-,PLAS	H/SINK	C625	2401-002235	C-AL:10uF,20%,16V,GP,TP,5x11mm,5mm	
△ IC803	1203-000298	IC-POS.FIXED REG.:7809,TO-220,3P,-,PLAS	H/SINK	C626	2401-002235	C-AL:10uF,20%,16V,GP,TP,5x11mm,5mm	
△ IC905	1103-001213	IC-EEPROM:24C16,2048x8Bit,SDIP,8P,307MIL		C627	2202-002037	C-CERAMIC,MLC-AXIAL:100nF,80-20%,50V,Y5V	
△ ICD02	1201-000191	IC-OP AMP;4558,DIP,8P,300MIL,DUAL,20V/mV		C628	2401-002235	C-AL:10uF,20%,16V,GP,TP,5x11mm,5mm	
△ ICH01	1204-001454	IC-VOLUME CONTROL:TDA7449L,DIP,20P,300MI		C629	2401-001840	C-AL:100uF,20%,16V,GP,TP,6.3x11,5	
△ TU01	AA40-00020A	TUNER-F/S:TCLN3181PA09A(S),NTSC,TR,181CH		C630	2201-000558	C-CERAMIC,DISC:0.47nF,10%,50V,Y5P,TP,5x3	
△ TUP01	AA40-00032A	TUNER-F/S:TCPN3081PC09A(S),NTSC,TR,181CH		C631	2202-000286	C-CERAMIC,MLC-AXIAL:56pF,5%,50V,SL,TP,1.	
C101	2401-001840	C-AL:100uF,20%,16V,GP,TP,6.3x11,5		C632	2202-000286	C-CERAMIC,MLC-AXIAL:56pF,5%,50V,SL,TP,1.	
C102	2202-002037	C-CERAMIC,MLC-AXIAL:100nF,80-20%,50V,Y5V		C633	2201-000304	C-CERAMIC,DISC:0.001nF,0.25pF,50V,NP0,TP	
C103	2401-001840	C-AL:100uF,20%,16V,GP,TP,6.3x11,5		C634	2401-000480	C-AL:10uF,20%,50V,GP,TP,5x11,5	
C104	2202-002037	C-CERAMIC,MLC-AXIAL:100nF,80-20%,50V,Y5V		C636	2401-000480	C-AL:10uF,20%,50V,GP,TP,5x11,5	
C105	2202-000127	C-CERAMIC,MLC-AXIAL:10nF,+80-20%,25V,Y5V		C637	2301-000232	C-FILM,PEF:3.3nF,5%,50V,TP,8.1x4.5x13mm,	
C107	2401-000480	C-AL:10uF,20%,50V,GP,TP,5x11,5		C638	2401-001840	C-AL:100uF,20%,16V,GP,TP,6.3x11,5	
C108	2305-000665	C-FILM,MPEF:100nF,5%,63V,TP,7.5x4.0x5.0m		C640	2401-001840	C-AL:100uF,20%,16V,GP,TP,6.3x11,5	
C109	2401-000480	C-AL:10uF,20%,50V,GP,TP,5x11,5		C642	2401-001840	C-AL:100uF,20%,16V,GP,TP,6.3x11,5	
C110	2305-000665	C-FILM,MPEF:100nF,5%,63V,TP,7.5x4.0x5.0m		C643	2305-000665	C-FILM,MPEF:100nF,5%,63V,TP,7.5x4.0x5.0m	
				C644	2401-002458	C-AL:1000uF,20%,35V,GP,TP,16x25,7.5	
				C645	2305-000665	C-FILM,MPEF:100nF,5%,63V,TP,7.5x4.0x5.0m	
				C646	2305-000665	C-FILM,MPEF:100nF,5%,63V,TP,7.5x4.0x5.0m	

Electrical Parts List

Loc. No.	Code No.	Description ; Specification	Remark	Loc. No.	Code No.	Description ; Specification	Remark
C647	2401-002458	C-AL:1000uF,20%,35V,GP,TP,16x25,7.5		C902	2305-000665	C-FILM,MPEF;100nF,5%,63V,TP,7.5x4.0x5.0mm	
C648	2401-000027	C-AL:4.7uF,20%,50V,GP,TP,5x11,5		C903	2401-001840	C-AL:100uF,20%,16V,GP,TP,6.3x11,5	
C649	2202-000183	C-CERAMIC,MLC-AXIAL:2.2NF,20%,16V,Y5R,TP		C905	2401-001840	C-AL:100uF,20%,16V,GP,TP,6.3x11,5	
C650	2401-000832	C-AL:220uF,20%,25V,GP,TP,8x11.5,5		C906	2401-001840	C-AL:100uF,20%,16V,GP,TP,6.3x11,5	
C651	2401-000027	C-AL:4.7uF,20%,50V,GP,TP,5x11,5		C907	2305-000665	C-FILM,MPEF;100nF,5%,63V,TP,7.5x4.0x5.0mm	
C652	2202-000183	C-CERAMIC,MLC-AXIAL:2.2NF,20%,16V,Y5R,TP		CD01	2401-002235	C-AL:10uF,20%,16V,GP,TP,5x11mm,5mm	
C653	2401-002216	C-AL:2200uF,20%,35V,GP,TP,16x25,7.5		CD02	2401-002235	C-AL:10uF,20%,16V,GP,TP,5x11mm,5mm	
C654	2201-000119	C-CERAMIC,DISC;100nF,+80-20%,50V,Y5V,TP,		CD03	2401-002458	C-AL:1000uF,20%,35V,GP,TP,16x25,7.5	
C655	2401-001840	C-AL:100uF,20%,16V,GP,TP,6.3x11,5		CD04	2305-000665	C-FILM,MPEF;100nF,5%,63V,TP,7.5x4.0x5.0mm	
C656	2401-000603	C-AL:1uF,20%,50V,GP,TP,5x11,5		CD05	2401-002458	C-AL:1000uF,20%,35V,GP,TP,16x25,7.5	
C657	2401-000962	C-AL:22uF,20%,50V,GP,TP,5x11,5		CD06	2401-002216	C-AL:2200uF,20%,35V,GP,TP,16x25,7.5	
C659	2401-000480	C-AL:10uF,20%,50V,GP,TP,5x11,5		CD07	2305-000665	C-FILM,MPEF;100nF,5%,63V,TP,7.5x4.0x5.0mm	
C660	2301-000232	C-FILM,PEF;3.3nF,5%,50V,TP,8.1x4.5x13mm,		CD08	2305-000665	C-FILM,MPEF;100nF,5%,63V,TP,7.5x4.0x5.0mm	
C661	2401-001840	C-AL:100uF,20%,16V,GP,TP,6.3x11,5		CD09	2401-000027	C-AL:4.7uF,20%,50V,GP,TP,5x11,5	
C663	2305-000665	C-FILM,MPEF;100nF,5%,63V,TP,7.5x4.0x5.0mm		CD10	2202-000716	C-CERAMIC,MLC-AXIAL:1.8nF,20%,16V,Y5R,TP	
C664	2401-001840	C-AL:100uF,20%,16V,GP,TP,6.3x11,5		CD11	2401-002459	C-AL:220uF,20%,25V,LZ,TP,10x16,5	
C701	2401-002235	C-AL:10uF,20%,16V,GP,TP,5x11mm,5mm		CD12	2401-000027	C-AL:4.7uF,20%,50V,GP,TP,5x11,5	
C702	2401-002235	C-AL:10uF,20%,16V,GP,TP,5x11mm,5mm		CD13	2202-000716	C-CERAMIC,MLC-AXIAL:1.8nF,20%,16V,Y5R,TP	
C703	2401-002235	C-AL:10uF,20%,16V,GP,TP,5x11mm,5mm		CD14	2202-000796	C-CERAMIC,MLC-AXIAL:1nF,10%,50V,Y5P,TP,3	
C704	2401-002235	C-AL:10uF,20%,16V,GP,TP,5x11mm,5mm		CD15	2202-000796	C-CERAMIC,MLC-AXIAL:1nF,10%,50V,Y5P,TP,3	
C705	2401-002235	C-AL:10uF,20%,16V,GP,TP,5x11mm,5mm		CD16	2301-000111	C-FILM,PEF;1.8nF,5%,50V,TP,6.5x3.0x5.5mm	
C706	2401-002235	C-AL:10uF,20%,16V,GP,TP,5x11mm,5mm		CD17	2301-000111	C-FILM,PEF;1.8nF,5%,50V,TP,6.5x3.0x5.5mm	
C708	2401-002235	C-AL:10uF,20%,16V,GP,TP,5x11mm,5mm		CD18	2401-002235	C-AL:10uF,20%,16V,GP,TP,5x11mm,5mm	
C709	2401-002235	C-AL:10uF,20%,16V,GP,TP,5x11mm,5mm		CD19	2401-002235	C-AL:10uF,20%,16V,GP,TP,5x11mm,5mm	
C710	2401-002235	C-AL:10uF,20%,16V,GP,TP,5x11mm,5mm		CG01	2401-002235	C-AL:10uF,20%,16V,GP,TP,5x11mm,5mm	
C711	2401-002235	C-AL:10uF,20%,16V,GP,TP,5x11mm,5mm		CG02	2401-002235	C-AL:10uF,20%,16V,GP,TP,5x11mm,5mm	
C712	2401-002235	C-AL:10uF,20%,16V,GP,TP,5x11mm,5mm		CG03	2401-001840	C-AL:100uF,20%,16V,GP,TP,6.3x11,5	
C713	2401-002235	C-AL:10uF,20%,16V,GP,TP,5x11mm,5mm		CG04	2305-000665	C-FILM,MPEF;100nF,5%,63V,TP,7.5x4.0x5.0mm	
C714	2401-002235	C-AL:10uF,20%,16V,GP,TP,5x11mm,5mm		CG05	2401-002235	C-AL:10uF,20%,16V,GP,TP,5x11mm,5mm	
C715	2401-001840	C-AL:100uF,20%,16V,GP,TP,6.3x11,5		CH01	2401-002235	C-AL:10uF,20%,16V,GP,TP,5x11mm,5mm	
C716	2202-000121	C-CERAMIC,MLC-AXIAL:100pF,10%,50V,Y5P,TP		CH02	2401-002235	C-AL:10uF,20%,16V,GP,TP,5x11mm,5mm	
C717	2202-000121	C-CERAMIC,MLC-AXIAL:100pF,10%,50V,Y5P,TP		CH03	2401-000480	C-AL:10uF,20%,50V,GP,TP,5x11,5	
C718	2202-000121	C-CERAMIC,MLC-AXIAL:100pF,10%,50V,Y5P,TP		CH04	2401-001840	C-AL:100uF,20%,16V,GP,TP,6.3x11,5	
C719	2202-000121	C-CERAMIC,MLC-AXIAL:100pF,10%,50V,Y5P,TP		CH05	2305-000665	C-FILM,MPEF;100nF,5%,63V,TP,7.5x4.0x5.0mm	
C720	2202-000121	C-CERAMIC,MLC-AXIAL:100pF,10%,50V,Y5P,TP		CN901A	3711-002648	CONNECTOR-HEADER:BOX,9P,1R,2.5mm,STRAIGH	
C721	2202-000121	C-CERAMIC,MLC-AXIAL:100pF,10%,50V,Y5P,TP		CN902A	3711-002646	CONNECTOR-HEADER:BOX,7P,1R,2.5mm,STRAIGH	
C722	2202-000121	C-CERAMIC,MLC-AXIAL:100pF,10%,50V,Y5P,TP		CND01	3711-002644	CONNECTOR-HEADER:BOX,5P,1R,2.5mm,STRAIGH	
C723	2202-000121	C-CERAMIC,MLC-AXIAL:100pF,10%,50V,Y5P,TP		CND02	3711-002645	CONNECTOR-HEADER:BOX,6P,1R,2.5MM,STRAIGH	
C724	2305-000355	C-FILM,MPEF;330nF,5%,63V,TP,-5mm		CP03	2401-001840	C-AL:100uF,20%,16V,GP,TP,6.3x11,5	
C725	2401-002235	C-AL:10uF,20%,16V,GP,TP,5x11mm,5mm		CP04	2202-002037	C-CERAMIC,MLC-AXIAL:100nF,80-20%,50V,Y5V	
C726	2401-002235	C-AL:10uF,20%,16V,GP,TP,5x11mm,5mm		CP07	2401-000480	C-AL:10uF,20%,50V,GP,TP,5x11,5	
C727	2401-002235	C-AL:10uF,20%,16V,GP,TP,5x11mm,5mm		CP08	2305-000665	C-FILM,MPEF;100nF,5%,63V,TP,7.5x4.0x5.0mm	
C728	2305-000355	C-FILM,MPEF;330nF,5%,63V,TP,-5mm		CS02	2401-002235	C-AL:10uF,20%,16V,GP,TP,5x11mm,5mm	
C729	2401-002235	C-AL:10uF,20%,16V,GP,TP,5x11mm,5mm		CS16	2401-002235	C-AL:10uF,20%,16V,GP,TP,5x11mm,5mm	
C730	2401-002235	C-AL:10uF,20%,16V,GP,TP,5x11mm,5mm		CS30	2401-001840	C-AL:100uF,20%,16V,GP,TP,6.3x11,5	
C731	2401-002235	C-AL:10uF,20%,16V,GP,TP,5x11mm,5mm		CS31	2201-000982	C-CERAMIC,DISC;10nF,+80-20%,50V,Y5V,TP,4	
C732	2401-001840	C-AL:100uF,20%,16V,GP,TP,6.3x11,5		D201	0401-000005	DIODE-SWITCHING;1N4148,100V,200MA,DO-35,	
C733	2201-000982	C-CERAMIC,DISC;10nF,+80-20%,50V,Y5V,TP,4		D202	0401-000005	DIODE-SWITCHING;1N4148,100V,200MA,DO-35,	
C734	2401-001363	C-AL:470uF,20%,16V,GP,TP,10x12,5,5		D203	0401-000005	DIODE-SWITCHING;1N4148,100V,200MA,DO-35,	
C735	2401-001840	C-AL:100uF,20%,16V,GP,TP,6.3x11,5		D601	0401-000005	DIODE-SWITCHING;1N4148,100V,200MA,DO-35,	
C738	2202-000121	C-CERAMIC,MLC-AXIAL:100pF,10%,50V,Y5P,TP		D602	0401-000005	DIODE-SWITCHING;1N4148,100V,200MA,DO-35,	
C739	2202-000121	C-CERAMIC,MLC-AXIAL:100pF,10%,50V,Y5P,TP		D603	0401-000005	DIODE-SWITCHING;1N4148,100V,200MA,DO-35,	
C740	2401-002235	C-AL:10uF,20%,16V,GP,TP,5x11mm,5mm		D604	0401-000005	DIODE-SWITCHING;1N4148,100V,200MA,DO-35,	
C741	2401-002235	C-AL:10uF,20%,16V,GP,TP,5x11mm,5mm		DG01	0401-000005	DIODE-SWITCHING;1N4148,100V,200MA,DO-35,	
C745	2401-001840	C-AL:100uF,20%,16V,GP,TP,6.3x11,5		DX01	0401-000005	DIODE-SWITCHING;1N4148,100V,200MA,DO-35,	
C746	2305-000665	C-FILM,MPEF;100nF,5%,63V,TP,7.5x4.0x5.0mm		DX02	0401-000005	DIODE-SWITCHING;1N4148,100V,200MA,DO-35,	
C747	2401-000480	C-AL:10uF,20%,50V,GP,TP,5x11,5		DZ101	0403-000700	DIODE-ZENER;TZP33A,33V,31-35V,1W,DO-41,T	
C801	2401-000832	C-AL:220uF,20%,25V,GP,TP,8x11.5,5		DZ201	0403-001211	DIODE-ZENER;MTZJ12B,11.44-12.03V,500mW,DO	
C802	2305-000665	C-FILM,MPEF;100nF,5%,63V,TP,7.5x4.0x5.0mm		DZ202	0403-001320	DIODE-ZENER;MTZJ6.2C,6.12-6.44V,500mW,DO	
C803	2401-001363	C-AL:470uF,20%,16V,GP,TP,10x12,5,5		DZ203	0403-000367	DIODE-ZENER;UZ7.5BSC,7.5V,7.33-7.64V,500	
C804	2305-000665	C-FILM,MPEF;100nF,5%,63V,TP,7.5x4.0x5.0mm		DZ601	0403-001316	DIODE-ZENER;MTZJ3.0A,2.85-3.07V,500mW,DO	
C805	2401-000832	C-AL:220uF,20%,25V,GP,TP,8x11.5,5		DZ602	0403-000367	DIODE-ZENER;UZ7.5BSC,7.5V,7.33-7.64V,500	
C806	2305-000665	C-FILM,MPEF;100nF,5%,63V,TP,7.5x4.0x5.0mm		DZ603	0403-000367	DIODE-ZENER;UZ7.5BSC,7.5V,7.33-7.64V,500	
C807	2401-001363	C-AL:470uF,20%,16V,GP,TP,10x12,5,5		J312	3301-000287	CORE-FERRITE BEAD;AA,3.5x1.0x6.0mm,1500,	
C808	2305-000665	C-FILM,MPEF;100nF,5%,63V,TP,7.5x4.0x5.0mm		L101	2701-000115	INDUCTOR-AXIAL;10uH,10%,3x7mm	
C809	2401-000832	C-AL:220uF,20%,25V,GP,TP,8x11.5,5		L102	2701-000114	INDUCTOR-AXIAL;10uH,10%,2.5x3.4mm	
C810	2305-000665	C-FILM,MPEF;100nF,5%,63V,TP,7.5x4.0x5.0mm		L103	2701-000114	INDUCTOR-AXIAL;10uH,10%,2.5x3.4mm	
C811	2401-001363	C-AL:470uF,20%,16V,GP,TP,10x12,5,5		L104	2701-000116	INDUCTOR-AXIAL;10uH,10%,4.2x9.8mm	
C812	2305-000665	C-FILM,MPEF;100nF,5%,63V,TP,7.5x4.0x5.0mm		L106	2701-000115	INDUCTOR-AXIAL;10uH,10%,3x7mm	
C813	2401-001363	C-AL:470uF,20%,16V,GP,TP,10x12,5,5		L601	2701-000170	INDUCTOR-AXIAL;3.9uH,10%,3x7mm	
C814	2305-000665	C-FILM,MPEF;100nF,5%,63V,TP,7.5x4.0x5.0mm		L602	2701-000115	INDUCTOR-AXIAL;10uH,10%,3x7mm	
C815	2401-001363	C-AL:470uF,20%,16V,GP,TP,10x12,5,5		L603	2701-000115	INDUCTOR-AXIAL;10uH,10%,3x7mm	
C816	2305-000665	C-FILM,MPEF;100nF,5%,63V,TP,7.5x4.0x5.0mm		L701	2701-000115	INDUCTOR-AXIAL;10uH,10%,3x7mm	
C819	2401-001363	C-AL:470uF,20%,16V,GP,TP,10x12,5,5		L702	2701-000114	INDUCTOR-AXIAL;10uH,10%,2.5x3.4mm	
C820	2305-000665	C-FILM,MPEF;100nF,5%,63V,TP,7.5x4.0x5.0mm		L703	2701-000114	INDUCTOR-AXIAL;10uH,10%,2.5x3.4mm	
C825	2401-000287	C-AL:100uF,20%,16V,WT,TP,6.3x11,5		L704	2701-000114	INDUCTOR-AXIAL;10uH,10%,2.5x3.4mm	
C901	2401-001840	C-AL:100uF,20%,16V,GP,TP,6.3x11,5		L705	2701-000114	INDUCTOR-AXIAL;10uH,10%,2.5x3.4mm	

Loc. No.	Code No.	Description ; Specification	Remark	Loc. No.	Code No.	Description ; Specification	Remark
L706	2701-000114	INDUCTOR-AXIAL:10uH,10%,2.5x3.4mm		R622	2001-001146	R-CARBON(S):4.70HM,5%,1/2W,AA,TP,2.4X6.4	
L707	2701-000114	INDUCTOR-AXIAL:10uH,10%,2.5x3.4mm		R623	2001-000786	R-CARBON:47KOHM,5%,1/8W,AA,TP,1.8X3.2MM	
L708	2701-000115	INDUCTOR-AXIAL:10uH,10%,3x7mm		R624	2001-001050	R-CARBON(S):1.5KOHM,5%,1/2W,AA,TP,2.4X6.4	
L709	2701-000114	INDUCTOR-AXIAL:10uH,10%,2.5x3.4mm		R625	2001-000780	R-CARBON:470OHM,5%,1/8W,AA,TP,1.8X3.2MM	
L710	2701-000114	INDUCTOR-AXIAL:10uH,10%,2.5x3.4mm		R626	2001-001088	R-CARBON(S):1KOHM,5%,1/2W,AA,TP,2.4X6.4M	
L711	2701-000114	INDUCTOR-AXIAL:10uH,10%,2.5x3.4mm		R627	2001-001088	R-CARBON(S):1KOHM,5%,1/2W,AA,TP,2.4X6.4M	
L712	2701-000114	INDUCTOR-AXIAL:10uH,10%,2.5x3.4mm		R628	2001-000290	R-CARBON:10KOHM,5%,1/8W,AA,TP,1.8X3.2MM	
L801	2701-001040	INDUCTOR-AXIAL:10uH,10%,4.5x14mm		R629	2001-000522	R-CARBON:22KOHM,5%,1/8W,AA,TP,1.8X3.2MM	
L802	2701-001040	INDUCTOR-AXIAL:10uH,10%,4.5x14mm		R630	2001-000290	R-CARBON:10KOHM,5%,1/8W,AA,TP,1.8X3.2MM	
L901	2701-000115	INDUCTOR-AXIAL:10uH,10%,3x7mm		R631	2001-000273	R-CARBON:100KOHM,5%,1/8W,AA,TP,1.8X3.2M	
L902	2701-000114	INDUCTOR-AXIAL:10uH,10%,2.5x3.4mm		R632	2001-000290	R-CARBON:10KOHM,5%,1/8W,AA,TP,1.8X3.2MM	
LG01	2701-000115	INDUCTOR-AXIAL:10uH,10%,3x7mm		R635	2001-000290	R-CARBON:10KOHM,5%,1/8W,AA,TP,1.8X3.2MM	
LH01	2701-000170	INDUCTOR-AXIAL:3.9uH,10%,3x7mm		R636	2001-000290	R-CARBON:10KOHM,5%,1/8W,AA,TP,1.8X3.2MM	
LP02	2701-000114	INDUCTOR-AXIAL:10uH,10%,2.5x3.4mm		R637	2001-000780	R-CARBON:470OHM,5%,1/8W,AA,TP,1.8X3.2MM	
LP03	2701-000114	INDUCTOR-AXIAL:10uH,10%,2.5x3.4mm		R638	2001-000290	R-CARBON:10KOHM,5%,1/8W,AA,TP,1.8X3.2MM	
LP04	2701-000116	INDUCTOR-AXIAL:10uH,10%,4.2x9.8mm		R639	2001-000290	R-CARBON:10KOHM,5%,1/8W,AA,TP,1.8X3.2MM	
LP06	2701-000115	INDUCTOR-AXIAL:10uH,10%,3x7mm		R701	2001-000429	R-CARBON:1KOHM,5%,1/8W,AA,TP,1.8X3.2MM	
LS07	2701-000115	INDUCTOR-AXIAL:10uH,10%,3x7mm		R702	2001-000429	R-CARBON:1KOHM,5%,1/8W,AA,TP,1.8X3.2MM	
Q201	0501-000389	TR-SMALL SIGNAL:KSC815,NPN,400mW,TO-92,T		R703	2001-000429	R-CARBON:1KOHM,5%,1/8W,AA,TP,1.8X3.2MM	
Q202	0501-000389	TR-SMALL SIGNAL:KSC815,NPN,400mW,TO-92,T		R704	2001-000429	R-CARBON:1KOHM,5%,1/8W,AA,TP,1.8X3.2MM	
Q601	0501-000389	TR-SMALL SIGNAL:KSC815,NPN,400mW,TO-92,T		R705	2001-000429	R-CARBON:1KOHM,5%,1/8W,AA,TP,1.8X3.2MM	
Q602	0501-000389	TR-SMALL SIGNAL:KSC815,NPN,400mW,TO-92,T		R706	2001-000429	R-CARBON:1KOHM,5%,1/8W,AA,TP,1.8X3.2MM	
Q603	0501-000389	TR-SMALL SIGNAL:KSC815,NPN,400mW,TO-92,T		R707	2001-000331	R-CARBON:12KOHM,5%,1/8W,AA,TP,1.8X3.2MM	
Q702	0501-000389	TR-SMALL SIGNAL:KSC815,NPN,400mW,TO-92,T		R708	2001-000947	R-CARBON:7.5KOHM,5%,1/8W,AA,TP,1.8X3.2M	
Q703	0501-000389	TR-SMALL SIGNAL:KSC815,NPN,400mW,TO-92,T		R709	2001-000947	R-CARBON:7.5KOHM,5%,1/8W,AA,TP,1.8X3.2M	
Q704	0501-000389	TR-SMALL SIGNAL:KSC815,NPN,400mW,TO-92,T		R710	2001-000947	R-CARBON:7.5KOHM,5%,1/8W,AA,TP,1.8X3.2M	
Q705	0501-000389	TR-SMALL SIGNAL:KSC815,NPN,400mW,TO-92,T		R711	2001-000522	R-CARBON:22KOHM,5%,1/8W,AA,TP,1.8X3.2MM	
Q706	0501-000389	TR-SMALL SIGNAL:KSC815,NPN,400mW,TO-92,T		R713	2001-000472	R-CARBON:2.7KOHM,5%,1/8W,AA,TP,1.8X3.2M	
Q707	0501-000389	TR-SMALL SIGNAL:KSC815,NPN,400mW,TO-92,T		R714	2001-000290	R-CARBON:10KOHM,5%,1/8W,AA,TP,1.8X3.2MM	
Q708	0501-000389	TR-SMALL SIGNAL:KSC815,NPN,400mW,TO-92,T		R715	2001-000554	R-CARBON:270OHM,5%,1/8W,AA,TP,1.8X3.2MM	
Q709	0501-000389	TR-SMALL SIGNAL:KSC815,NPN,400mW,TO-92,T		R716	2001-000780	R-CARBON:470OHM,5%,1/8W,AA,TP,1.8X3.2MM	
Q710	0501-000283	TR-SMALL SIGNAL:KSA539,PNP,400mW,TO-92,T		R717	2001-000554	R-CARBON:270OHM,5%,1/8W,AA,TP,1.8X3.2MM	
Q711	0501-000389	TR-SMALL SIGNAL:KSC815,NPN,400mW,TO-92,T		R718	2001-000429	R-CARBON:1KOHM,5%,1/8W,AA,TP,1.8X3.2MM	
Q712	0504-000123	TR-DIGITAL:KSR1010,NPN,300mW,10K,TO-92,T		R719	2001-000281	R-CARBON:100OHM,5%,1/8W,AA,TP,1.8X3.2MM	
Q901	0504-000123	TR-DIGITAL:KSR1010,NPN,300mW,10K,TO-92,T		R720	2001-000938	R-CARBON:68OHM,5%,1/8W,AA,TP,1.8X3.2MM	
Q902	0504-000123	TR-DIGITAL:KSR1010,NPN,300mW,10K,TO-92,T		R721	2001-000429	R-CARBON:1KOHM,5%,1/8W,AA,TP,1.8X3.2MM	
QG01	0501-000389	TR-SMALL SIGNAL:KSC815,NPN,400mW,TO-92,T		R722	2001-000969	R-CARBON:75OHM,5%,1/8W,AA,TP,1.8X3.2MM	
QG02	0501-000389	TR-SMALL SIGNAL:KSC815,NPN,400mW,TO-92,T		R723	2001-000969	R-CARBON:75OHM,5%,1/8W,AA,TP,1.8X3.2MM	
QG03	0504-000123	TR-DIGITAL:KSR1010,NPN,300mW,10K,TO-92,T		R724	2001-000969	R-CARBON:75OHM,5%,1/8W,AA,TP,1.8X3.2MM	
R101	2001-001006	R-CARBON:82OHM,5%,1/8W,AA,TP,1.8X3.2MM		R725	2001-000429	R-CARBON:1KOHM,5%,1/8W,AA,TP,1.8X3.2MM	
R102	2001-000281	R-CARBON:100OHM,5%,1/8W,AA,TP,1.8X3.2MM		R726	2001-000429	R-CARBON:1KOHM,5%,1/8W,AA,TP,1.8X3.2MM	
R103	2001-000429	R-CARBON:1KOHM,5%,1/8W,AA,TP,1.8X3.2MM		R727	2001-000429	R-CARBON:1KOHM,5%,1/8W,AA,TP,1.8X3.2MM	
R110	2003-001093	R-METAL OXIDE(S):12Kohm,5%,2W,AF,TP,3.9x		R728	2001-000429	R-CARBON:1KOHM,5%,1/8W,AA,TP,1.8X3.2MM	
R115	2001-001006	R-CARBON:82OHM,5%,1/8W,AA,TP,1.8X3.2MM		R729	2001-000429	R-CARBON:1KOHM,5%,1/8W,AA,TP,1.8X3.2MM	
R203	2001-000281	R-CARBON:100OHM,5%,1/8W,AA,TP,1.8X3.2MM		R730	2001-000969	R-CARBON:75OHM,5%,1/8W,AA,TP,1.8X3.2MM	
R204	2001-000281	R-CARBON:100OHM,5%,1/8W,AA,TP,1.8X3.2MM		R731	2001-000429	R-CARBON:1KOHM,5%,1/8W,AA,TP,1.8X3.2MM	
R205	2001-000281	R-CARBON:100OHM,5%,1/8W,AA,TP,1.8X3.2MM		R732	2001-000429	R-CARBON:1KOHM,5%,1/8W,AA,TP,1.8X3.2MM	
R208	2001-000281	R-CARBON:100OHM,5%,1/8W,AA,TP,1.8X3.2MM		R733	2001-000429	R-CARBON:1KOHM,5%,1/8W,AA,TP,1.8X3.2MM	
R209	2001-000281	R-CARBON:100OHM,5%,1/8W,AA,TP,1.8X3.2MM		R734	2001-000281	R-CARBON:100OHM,5%,1/8W,AA,TP,1.8X3.2MM	
R210	2701-000184	INDUCTOR-AXIAL:4.7uH,10%,2.5x3.4mm		R735	2001-000003	R-CARBON:330ohm,5%,1/8W,AA,TP,1.8x3.2mm	
R211	2701-000184	INDUCTOR-AXIAL:4.7uH,10%,2.5x3.4mm		R736	2001-000003	R-CARBON:330ohm,5%,1/8W,AA,TP,1.8x3.2mm	
R212	2001-000969	R-CARBON:75OHM,5%,1/8W,AA,TP,1.8X3.2MM		R737	2001-000429	R-CARBON:1KOHM,5%,1/8W,AA,TP,1.8X3.2MM	
R213	2001-001006	R-CARBON:82OHM,5%,1/8W,AA,TP,1.8X3.2MM		R738	2001-000429	R-CARBON:1KOHM,5%,1/8W,AA,TP,1.8X3.2MM	
R214	2001-000281	R-CARBON:100OHM,5%,1/8W,AA,TP,1.8X3.2MM		R739	2001-000281	R-CARBON:100OHM,5%,1/8W,AA,TP,1.8X3.2MM	
R216	2001-000281	R-CARBON:100OHM,5%,1/8W,AA,TP,1.8X3.2MM		R740	2001-000281	R-CARBON:100OHM,5%,1/8W,AA,TP,1.8X3.2MM	
R217	2001-000449	R-CARBON:2.2KOHM,5%,1/8W,AA,TP,1.8X3.2M		R741	2001-000281	R-CARBON:100OHM,5%,1/8W,AA,TP,1.8X3.2MM	
R218	2001-000290	R-CARBON:10KOHM,5%,1/8W,AA,TP,1.8X3.2MM		R742	2001-000281	R-CARBON:100OHM,5%,1/8W,AA,TP,1.8X3.2MM	
R219	2001-000290	R-CARBON:10KOHM,5%,1/8W,AA,TP,1.8X3.2MM		R743	2001-000281	R-CARBON:100OHM,5%,1/8W,AA,TP,1.8X3.2MM	
R220	2001-000522	R-CARBON:22KOHM,5%,1/8W,AA,TP,1.8X3.2MM		R744	2001-000281	R-CARBON:100OHM,5%,1/8W,AA,TP,1.8X3.2MM	
R230	2001-000449	R-CARBON:2.2KOHM,5%,1/8W,AA,TP,1.8X3.2M		R745	2001-000281	R-CARBON:100OHM,5%,1/8W,AA,TP,1.8X3.2MM	
R601	2001-000281	R-CARBON:100OHM,5%,1/8W,AA,TP,1.8X3.2MM		R746	2001-000281	R-CARBON:100OHM,5%,1/8W,AA,TP,1.8X3.2MM	
R602	2001-000281	R-CARBON:100OHM,5%,1/8W,AA,TP,1.8X3.2MM		R747	2001-000281	R-CARBON:100OHM,5%,1/8W,AA,TP,1.8X3.2MM	
R603	2001-000429	R-CARBON:1KOHM,5%,1/8W,AA,TP,1.8X3.2MM		R750	2001-000281	R-CARBON:100OHM,5%,1/8W,AA,TP,1.8X3.2MM	
R604	2001-000429	R-CARBON:1KOHM,5%,1/8W,AA,TP,1.8X3.2MM		R751	2001-000281	R-CARBON:100OHM,5%,1/8W,AA,TP,1.8X3.2MM	
R607	2001-000577	R-CARBON:2KOHM,5%,1/8W,AA,TP,1.8X3.2MM		R752	2001-000969	R-CARBON:75OHM,5%,1/8W,AA,TP,1.8X3.2MM	
R608	2001-000591	R-CARBON:3.3KOHM,5%,1/8W,AA,TP,1.8X3.2M		R753	2001-000761	R-CARBON:430OHM,5%,1/8W,AA,TP,1.8X3.2MM	
R609	2001-000290	R-CARBON:10KOHM,5%,1/8W,AA,TP,1.8X3.2MM		R754	2001-000429	R-CARBON:1KOHM,5%,1/8W,AA,TP,1.8X3.2MM	
R610	2001-000591	R-CARBON:3.3KOHM,5%,1/8W,AA,TP,1.8X3.2M		R755	2001-000761	R-CARBON:430OHM,5%,1/8W,AA,TP,1.8X3.2MM	
R611	2001-000290	R-CARBON:10KOHM,5%,1/8W,AA,TP,1.8X3.2MM		R756	2001-000429	R-CARBON:1KOHM,5%,1/8W,AA,TP,1.8X3.2MM	
R614	2001-001187	R-CARBON(S):2.2KOHM,5%,1/2W,AA,TP,2.4X6.4M		R758	2001-000969	R-CARBON:75OHM,5%,1/8W,AA,TP,1.8X3.2MM	
R615	2001-000290	R-CARBON:10KOHM,5%,1/8W,AA,TP,1.8X3.2MM		R759	2001-000969	R-CARBON:75OHM,5%,1/8W,AA,TP,1.8X3.2MM	
R616	2001-001093	R-CARBON(S):2.2KOHM,5%,1/2W,AA,TP,2.4X6.4		R764	2001-000281	R-CARBON:100OHM,5%,1/8W,AA,TP,1.8X3.2MM	
R617	2001-001093	R-CARBON(S):2.2KOHM,5%,1/2W,AA,TP,2.4X6.4		R901	2001-000302	R-CARBON:100HM,5%,1/8W,AA,TP,1.8X3.2MM	
R618	2001-000786	R-CARBON:47KOHM,5%,1/8W,AA,TP,1.8X3.2MM		R902	2001-000302	R-CARBON:100HM,5%,1/8W,AA,TP,1.8X3.2MM	
R619	2001-001146	R-CARBON(S):4.70HM,5%,1/2W,AA,TP,2.4X6.4		R903	2001-000302	R-CARBON:100HM,5%,1/8W,AA,TP,1.8X3.2MM	
R620	2001-001093	R-CARBON(S):2.2KOHM,5%,1/2W,AA,TP,2.4X6.4		R904	2001-000302	R-CARBON:100HM,5%,1/8W,AA,TP,1.8X3.2MM	
R621	2001-001093	R-CARBON(S):2.2KOHM,5%,1/2W,AA,TP,2.4X6.4		R905	2001-000302	R-CARBON:100HM,5%,1/8W,AA,TP,1.8X3.2MM	

Loc. No.	Code No.	Description ; Specification	Remark
R906	2001-000281	R-CARBON:100OHM,5%,1/8W,AA,TP,1.8X3.2MM	
R907	2001-000281	R-CARBON:100OHM,5%,1/8W,AA,TP,1.8X3.2MM	
R908	2001-000281	R-CARBON:100OHM,5%,1/8W,AA,TP,1.8X3.2MM	
R909	2001-000472	R-CARBON:2.7KOHM,5%,1/8W,AA,TP,1.8X3.2M	
R910	2001-000281	R-CARBON:100OHM,5%,1/8W,AA,TP,1.8X3.2MM	
RC01	2001-000281	R-CARBON:100OHM,5%,1/8W,AA,TP,1.8X3.2MM	
RC02	2001-000281	R-CARBON:100OHM,5%,1/8W,AA,TP,1.8X3.2MM	
RC103	2001-000969	R-CARBON:75OHM,5%,1/8W,AA,TP,1.8X3.2MM	
RD02	2001-000734	R-CARBON:4.7KOHM,5%,1/8W,AA,TP,1.8X3.2M	
RD03	2001-000734	R-CARBON:4.7KOHM,5%,1/8W,AA,TP,1.8X3.2M	
RD10	2001-001093	R-CARBON(S):2.2KOHM,5%,1/2W,AA,TP,2.4X6.	
RD11	2001-001093	R-CARBON(S):2.2KOHM,5%,1/2W,AA,TP,2.4X6.	
RD12	2001-001146	R-CARBON(S):4.7OHM,5%,1/2W,AA,TP,2.4X6.4	
RD13	2001-000786	R-CARBON:47KOHM,5%,1/8W,AA,TP,1.8X3.2MM	
RD14	2001-001093	R-CARBON(S):2.2KOHM,5%,1/2W,AA,TP,2.4X6.	
RD15	2001-001146	R-CARBON(S):4.7OHM,5%,1/2W,AA,TP,2.4X6.4	
RD16	2001-001093	R-CARBON(S):2.2KOHM,5%,1/2W,AA,TP,2.4X6.	
RD17	2001-000786	R-CARBON:47KOHM,5%,1/8W,AA,TP,1.8X3.2MM	
RD18	2001-000780	R-CARBON:470OHM,5%,1/8W,AA,TP,1.8X3.2MM	
RD19	2001-001088	R-CARBON(S):1KOHM,5%,1/2W,AA,TP,2.4X6.4M	
RD20	2001-001088	R-CARBON(S):1KOHM,5%,1/2W,AA,TP,2.4X6.4M	
RD21	2001-000780	R-CARBON:470OHM,5%,1/8W,AA,TP,1.8X3.2MM	
RD22	2001-001108	R-CARBON(S):22KOHM,5%,1/2W,AA,TP,2.4X6.4	
RD23	2001-001108	R-CARBON(S):22KOHM,5%,1/2W,AA,TP,2.4X6.4	
RD24	2001-000780	R-CARBON:470OHM,5%,1/8W,AA,TP,1.8X3.2MM	
RD25	2001-000780	R-CARBON:470OHM,5%,1/8W,AA,TP,1.8X3.2MM	
RD26	2001-001050	R-CARBON(S):1.5KOHM,5%,1/2W,AA,TP,2.4X6.	
RD27	2001-000786	R-CARBON:47KOHM,5%,1/8W,AA,TP,1.8X3.2MM	
RD28	2001-000786	R-CARBON:47KOHM,5%,1/8W,AA,TP,1.8X3.2MM	
RD29	2001-000290	R-CARBON:10KOHM,5%,1/8W,AA,TP,1.8X3.2MM	
RD30	2001-000290	R-CARBON:10KOHM,5%,1/8W,AA,TP,1.8X3.2MM	
RD31	2001-000786	R-CARBON:47KOHM,5%,1/8W,AA,TP,1.8X3.2MM	
RD32	2001-000786	R-CARBON:47KOHM,5%,1/8W,AA,TP,1.8X3.2MM	
RG01	2001-000290	R-CARBON:10KOHM,5%,1/8W,AA,TP,1.8X3.2MM	
RG02	2001-000734	R-CARBON:4.7KOHM,5%,1/8W,AA,TP,1.8X3.2M	
RG03	2001-000429	R-CARBON:1KOHM,5%,1/8W,AA,TP,1.8X3.2MM	
RG04	2001-000290	R-CARBON:10KOHM,5%,1/8W,AA,TP,1.8X3.2MM	
RG05	2001-000734	R-CARBON:4.7KOHM,5%,1/8W,AA,TP,1.8X3.2M	
RG06	2001-000429	R-CARBON:1KOHM,5%,1/8W,AA,TP,1.8X3.2MM	
RG08	2001-000734	R-CARBON:4.7KOHM,5%,1/8W,AA,TP,1.8X3.2M	
RH01	2001-000281	R-CARBON:100OHM,5%,1/8W,AA,TP,1.8X3.2MM	
RH02	2001-000281	R-CARBON:100OHM,5%,1/8W,AA,TP,1.8X3.2MM	
RX01	2001-001114	R-CARBON(S):270OHM,5%,1/2W,AA,TP,2.4X6.4	
RX02	2001-001178	R-CARBON(S):680OHM,5%,1/2W,AA,TP,2.4X6.4	
X601	2801-003903	CRYSTAL-UNIT:18.432MHz,25ppm,28-AAM,12pF	
	0403-000700	DIODE-ZENER:TZP33A,33V,31-35V,1W,DO-41,T	
	2001-000734	R-CARBON:4.7KOHM,5%,1/8W,AA,TP,1.8X3.2M	
	AA39-20536B	LEAD CONNECTOR-ASSY:-,--,--,--,--,--,F	
	AA39-20009D	LEAD CONNECTOR-ASSY:-,YFH800-01-,1P,500	
	AA39-20010C	LEAD CONNECTOR-ASSY:-,YFH800-01,S,1P,600	
	AA27-00019A	COIL-DEGAUSSING-.32,14.5ohm,65T,L3800,	
	AA39-20015B	LEAD CONNECTOR-ASSY:-.67096-003,-.3(2)P,	
	AA39-30007A	IF-CABLE:-,T,100mm,1365#26	

ASSY-PCB,NTSC F-BOX

* AA95-00394DASSY-PCB,NTSC F-BOX:-,TSK2790FX/XAA,KS4A

CN01	3711-003543	CONNECTOR-HEADER:NOWALL,16P,1R,2.54MM,AN	
CN02	3711-003543	CONNECTOR-HEADER:NOWALL,16P,1R,2.54MM,AN	
CN03	3711-001283	CONNECTOR-HEADER:NOWALL,14P,1R,2.5mm,ANG	
CN04	3711-001283	CONNECTOR-HEADER:NOWALL,14P,1R,2.5mm,ANG	
DX01	2801-003811	CRYSTAL-UNIT:24.576MHZ,20PPM,28-AAM,30PF	
	AA63-00100A	SHIELD-CASE:-,SPT5,0.5,SCAN-MODULE,FCC	
CC01	2203-002392	C-CERAMIC,CHIP:220nF,+80-20%,50V,Y5V,TP,	
CC02	2203-000979	C-CERAMIC,CHIP:47nF,10%,50V,X7R,TP,2012	
CC03	2203-002392	C-CERAMIC,CHIP:220nF,+80-20%,50V,Y5V,TP,	
CC04	2203-002392	C-CERAMIC,CHIP:220nF,+80-20%,50V,Y5V,TP,	
CC05	2203-000142	C-CERAMIC,CHIP:1.5nF,10%,50V,X7R,TP,2012	
CC06	2203-000839	C-CERAMIC,CHIP:0.39nF,5%,50V,NPO,TP,2012	
CC07	2203-000218	C-CERAMIC,CHIP:100nF,20%,50V,Y5V,TP,2012	
CC08	2203-000979	C-CERAMIC,CHIP:47nF,10%,50V,X7R,TP,2012	
CC09	2203-000142	C-CERAMIC,CHIP:1.5nF,10%,50V,X7R,TP,2012	
CC10	2203-000218	C-CERAMIC,CHIP:100nF,20%,50V,Y5V,TP,2012	
CC11	2203-000218	C-CERAMIC,CHIP:100nF,20%,50V,Y5V,TP,2012	

Loc. No.	Code No.	Description ; Specification	Remark
CC12	2203-000218	C-CERAMIC,CHIP:100nF,20%,50V,Y5V,TP,2012	
CC13	2203-000218	C-CERAMIC,CHIP:100nF,20%,50V,Y5V,TP,2012	
CC14	2203-000218	C-CERAMIC,CHIP:100nF,20%,50V,Y5V,TP,2012	
CC15	2203-001172	C-CERAMIC,CHIP:0.006nF,0.25pF,50V,NPO,TP	
CC16	2203-001172	C-CERAMIC,CHIP:0.006nF,0.25pF,50V,NPO,TP	
CC17	2401-002042	C-AL:220uF,20%,10V,GP,TP,6.3x11,5	
CC18	2203-000979	C-CERAMIC,CHIP:47nF,10%,50V,X7R,TP,2012	
CC19	2401-002144	C-AL:47uF,20%,16V,GP,TP,5x11,5	
CC20	2203-002392	C-CERAMIC,CHIP:220nF,+80-20%,50V,Y5V,TP,	
CC21	2203-000142	C-CERAMIC,CHIP:1.5nF,10%,50V,X7R,TP,2012	
CC22	2203-000839	C-CERAMIC,CHIP:0.39nF,5%,50V,NPO,TP,2012	
CC23	2203-000444	C-CERAMIC,CHIP:1nF,10%,50V,X7R,TP,2012,-	
CC24	2203-002442	C-CERAMIC,CHIP:330nF,+80-20%,25V,Y5V,TP,	
CC25	2203-002442	C-CERAMIC,CHIP:330nF,+80-20%,25V,Y5V,TP,	
CC26	2203-002442	C-CERAMIC,CHIP:330nF,+80-20%,25V,Y5V,TP,	
CC27	2203-002442	C-CERAMIC,CHIP:330nF,+80-20%,25V,Y5V,TP,	
CC28	2401-002144	C-AL:47uF,20%,16V,GP,TP,5x11,5	
CC29	2203-002392	C-CERAMIC,CHIP:220nF,+80-20%,50V,Y5V,TP,	
CC30	2203-000142	C-CERAMIC,CHIP:1.5nF,10%,50V,X7R,TP,2012	
CC31	2203-000839	C-CERAMIC,CHIP:0.39nF,5%,50V,NPO,TP,2012	
CC32	2401-002042	C-AL:220uF,20%,10V,GP,TP,6.3x11,5	
CC33	2203-000979	C-CERAMIC,CHIP:47nF,10%,50V,X7R,TP,2012	
CC35	2203-002442	C-CERAMIC,CHIP:330nF,+80-20%,25V,Y5V,TP,	
CC36	2203-002442	C-CERAMIC,CHIP:330nF,+80-20%,25V,Y5V,TP,	
CC37	2203-000683	C-CERAMIC,CHIP:0.027nF,5%,50V,NPO,TP,201	
CC38	2203-000683	C-CERAMIC,CHIP:0.027nF,5%,50V,NPO,TP,201	
CC39	2203-000683	C-CERAMIC,CHIP:0.027nF,5%,50V,NPO,TP,201	
CC40	2203-000683	C-CERAMIC,CHIP:0.027nF,5%,50V,NPO,TP,201	
CC41	2203-001002	C-CERAMIC,CHIP:0.047nF,5%,50V,NPO,TP,201	
CC42	2401-002144	C-AL:47uF,20%,16V,GP,TP,5x11,5	
CC43	2203-000218	C-CERAMIC,CHIP:100nF,20%,50V,Y5V,TP,2012	
CC44	2401-002144	C-AL:47uF,20%,16V,GP,TP,5x11,5	
CC45	2401-000480	C-AL:10uF,20%,50V,GP,TP,5x11,5	
CC47	2203-000218	C-CERAMIC,CHIP:100nF,20%,50V,Y5V,TP,2012	
CC48	2203-005384	C-CERAMIC,CHIP:4700nF,+80-20%,10V,Y5V,TP	
CC49	2203-005384	C-CERAMIC,CHIP:4700nF,+80-20%,10V,Y5V,TP	
CC50	2203-005384	C-CERAMIC,CHIP:4700nF,+80-20%,10V,Y5V,TP	
CD01	0401-000133	DIODE-SWITCHING:RLS4148,100V,200mA,SOD-8	
CD02	0401-000133	DIODE-SWITCHING:RLS4148,100V,200mA,SOD-8	
CF01	2901-001120	FILTER-EMI SMD:25V,100mA,-,3.2x1.6x1,T	
CL05	2702-001094	INDUCTOR-RADIAL:10uH,10%,6x4mm	
CL06	2901-000297	FILTER-EMI ON BOARD:-,3A,-,3.5x5,TP,-	
CL07	2702-001094	INDUCTOR-RADIAL:10uH,10%,6x4mm	
CQ01	0501-000344	TR-SMALL SIGNAL:KSC1623-G,NPN,200mW,SOT-	
CQ02	0501-000344	TR-SMALL SIGNAL:KSC1623-G,NPN,200mW,SOT-	
CQ03	0501-000344	TR-SMALL SIGNAL:KSC1623-G,NPN,200mW,SOT-	
CQ04	0501-000344	TR-SMALL SIGNAL:KSC1623-G,NPN,200mW,SOT-	
CQ05	0501-000344	TR-SMALL SIGNAL:KSC1623-G,NPN,200mW,SOT-	
CR01	2007-001166	R-CHIP:75OHM,5%,1/10W,DA,TP,2012	
CR02	2007-001166	R-CHIP:75OHM,5%,1/10W,DA,TP,2012	
CR03	2007-001166	R-CHIP:75OHM,5%,1/10W,DA,TP,2012	
CR04	2007-001166	R-CHIP:75OHM,5%,1/10W,DA,TP,2012	
CR05	2007-001166	R-CHIP:75OHM,5%,1/10W,DA,TP,2012	
CR06	2007-001166	R-CHIP:75OHM,5%,1/10W,DA,TP,2012	
CR07	2007-001166	R-CHIP:75OHM,5%,1/10W,DA,TP,2012	
CR08	2007-001166	R-CHIP:75OHM,5%,1/10W,DA,TP,2012	
CR09	2007-000290	R-CHIP:100OHM,5%,1/10W,DA,TP,2012	
CR10	2007-000290	R-CHIP:100OHM,5%,1/10W,DA,TP,2012	
CR12	2007-000947	R-CHIP:470HM,5%,1/10W,DA,TP,2012	
CR13	2007-000947	R-CHIP:470HM,5%,1/10W,DA,TP,2012	
CR14	2007-000947	R-CHIP:470HM,5%,1/10W,DA,TP,2012	
CR19	2007-000290	R-CHIP:100OHM,5%,1/10W,DA,TP,2012	
CR20	2007-000290	R-CHIP:100OHM,5%,1/10W,DA,TP,2012	
CR22	2007-000290	R-CHIP:100OHM,5%,1/10W,DA,TP,2012	
CR26	2007-000290	R-CHIP:100OHM,5%,1/10W,DA,TP,2012	
CR27	2007-000290	R-CHIP:100OHM,5%,1/10W,DA,TP,2012	
CR28	2007-000468	R-CHIP:1KOHM,5%,1/10W,DA,TP,2012	
CR29	2007-000493	R-CHIP:2.2KOHM,5%,1/10W,DA,TP,2012	
CR30	2007-000030	R-CHIP:560OHM,5%,1/10W,DA,TP,2012	
CR31	2007-000642	R-CHIP:270OHM,5%,1/10W,DA,TP,2012	
CR32	2007-000290	R-CHIP:100OHM,5%,1/10W,DA,TP,2012	
CR33	2007-000290	R-CHIP:100OHM,5%,1/10W,DA,TP,2012	
CR35	2007-000300	R-CHIP:1KOHM,5%,1/10W,DA,TP,2012	
CR37	2007-000290	R-CHIP:100OHM,5%,1/10W,DA,TP,2012	
CR38	2007-000290	R-CHIP:100OHM,5%,1/10W,DA,TP,2012	
CR41	2007-000029	R-CHIP:0OHM,5%,1/10W,DA,TP,2012	
CR45	2007-000290	R-CHIP:100OHM,5%,1/10W,DA,TP,2012	

Loc. No.	Code No.	Description ; Specification	Remark	Loc. No.	Code No.	Description ; Specification	Remark
CR46	2007-000468	R-CHIP:1KOHM,5%,1/10W,DA,TP,2012		DR11	2007-000290	R-CHIP:100OHM,5%,1/10W,DA,TP,2012	
CR47	2007-000941	R-CHIP:47KOHM,5%,1/10W,DA,TP,2012		DR12	2007-000290	R-CHIP:100OHM,5%,1/10W,DA,TP,2012	
CR48	2007-000941	R-CHIP:47KOHM,5%,1/10W,DA,TP,2012		DR13	2007-000380	R-CHIP:13KOHM,5%,1/10W,DA,TP,2012	
CR49	2007-000931	R-CHIP:470OHM,5%,1/10W,DA,TP,2012		DR14	2007-000300	R-CHIP:10KOHM,5%,1/10W,DA,TP,2012	
CR50	2007-000941	R-CHIP:47KOHM,5%,1/10W,DA,TP,2012		DR15	2007-000401	R-CHIP:150OHM,5%,1/10W,DA,TP,2012	
CR51	2007-000941	R-CHIP:47KOHM,5%,1/10W,DA,TP,2012		DR16	2007-000290	R-CHIP:100OHM,5%,1/10W,DA,TP,2012	
CR52	2007-000931	R-CHIP:470OHM,5%,1/10W,DA,TP,2012		DR17	2007-000290	R-CHIP:100OHM,5%,1/10W,DA,TP,2012	
CR53	2007-000941	R-CHIP:47KOHM,5%,1/10W,DA,TP,2012		DR18	2007-001208	R-CHIP:82KOHM,5%,1/10W,DA,TP,2012	
CR54	2007-000941	R-CHIP:47KOHM,5%,1/10W,DA,TP,2012		DR19	2007-000947	R-CHIP:470OHM,5%,1/10W,DA,TP,2012	
CR55	2007-000931	R-CHIP:470OHM,5%,1/10W,DA,TP,2012		DR20	2007-000518	R-CHIP:2.7KOHM,5%,1/10W,DA,TP,2012	
CX01	2801-003432	CRYSTAL-UNIT:20.25MHZ,30PPM,28-AAM,13PF,		DR22	2007-000872	R-CHIP:4.7KOHM,5%,1/10W,DA,TP,2012	
DC01	2401-003102	C-AL:100uF,20%,10V,GP,TP,5x11,5		DR23	2007-000941	R-CHIP:47KOHM,5%,1/10W,DA,TP,2012	
DC02	2203-000218	C-CERAMIC,CHIP:100nF,20%,50V,Y5V,TP,2012		DR24	2007-000001	R-CHIP:68KOHM,5%,1/10W,DA,TP,2012	
DC03	2203-000218	C-CERAMIC,CHIP:100nF,20%,50V,Y5V,TP,2012		DR25	2007-000653	R-CHIP:27KOHM,5%,1/10W,DA,TP,2012	
DC04	2203-000218	C-CERAMIC,CHIP:100nF,20%,50V,Y5V,TP,2012		DR26	2007-000300	R-CHIP:10KOHM,5%,1/10W,DA,TP,2012	
DC05	2203-000218	C-CERAMIC,CHIP:100nF,20%,50V,Y5V,TP,2012		DR27	2007-001224	R-CHIP:9.1KOHM,5%,1/10W,DA,TP,2012	
DC06	2203-000142	C-CERAMIC,CHIP:1.5nF,10%,50V,X7R,TP,2012		DR28	2007-000300	R-CHIP:10KOHM,5%,1/10W,DA,TP,2012	
DC07	2203-000239	C-CERAMIC,CHIP:0.1nF,5%,50V,NPO,TP,2012		DR29	2007-000468	R-CHIP:1KOHM,5%,1/10W,DA,TP,2012	
DC08	2203-000218	C-CERAMIC,CHIP:100nF,20%,50V,Y5V,TP,2012		DR30	2007-000468	R-CHIP:1KOHM,5%,1/10W,DA,TP,2012	
DC09	2203-000555	C-CERAMIC,CHIP:0.02nF,5%,50V,NPO,TP,2012		DR31	2007-000468	R-CHIP:1KOHM,5%,1/10W,DA,TP,2012	
DC10	2203-000218	C-CERAMIC,CHIP:100nF,20%,50V,Y5V,TP,2012		DR32	2007-000822	R-CHIP:390OHM,5%,1/10W,DA,TP,2012	
DC11	2203-000555	C-CERAMIC,CHIP:0.02nF,5%,50V,NPO,TP,2012		DR33	2007-000468	R-CHIP:1KOHM,5%,1/10W,DA,TP,2012	
DC12	2203-000555	C-CERAMIC,CHIP:0.02nF,5%,50V,NPO,TP,2012		DR34	2007-000290	R-CHIP:100OHM,5%,1/10W,DA,TP,2012	
DC13	2203-000218	C-CERAMIC,CHIP:100nF,20%,50V,Y5V,TP,2012		DR35	2007-000872	R-CHIP:4.7KOHM,5%,1/10W,DA,TP,2012	
DC14	2203-000218	C-CERAMIC,CHIP:100nF,20%,50V,Y5V,TP,2012		DR36	2007-000931	R-CHIP:470OHM,5%,1/10W,DA,TP,2012	
DC15	2203-000218	C-CERAMIC,CHIP:100nF,20%,50V,Y5V,TP,2012		DR37	2007-000872	R-CHIP:4.7KOHM,5%,1/10W,DA,TP,2012	
DC16	2401-002144	C-AL:47uF,20%,16V,GP,TP,5x11,5		DR38	2007-000267	R-CHIP:1.8KOHM,5%,1/10W,DA,TP,2012	
DC17	2401-003102	C-AL:100uF,20%,10V,GP,TP,5x11,5		DR40	2007-000290	R-CHIP:100OHM,5%,1/10W,DA,TP,2012	
DC18	2203-000218	C-CERAMIC,CHIP:100nF,20%,50V,Y5V,TP,2012		DR41	2007-000290	R-CHIP:100OHM,5%,1/10W,DA,TP,2012	
DC19	2401-003102	C-AL:100uF,20%,10V,GP,TP,5x11,5		DR42	2007-000290	R-CHIP:100OHM,5%,1/10W,DA,TP,2012	
DC20	2203-000218	C-CERAMIC,CHIP:100nF,20%,50V,Y5V,TP,2012		DR43	2007-000290	R-CHIP:100OHM,5%,1/10W,DA,TP,2012	
DC21	2203-001088	C-CERAMIC,CHIP:0.005nF,0.25pF,50V,NPO,TP		DR44	2007-000872	R-CHIP:4.7KOHM,5%,1/10W,DA,TP,2012	
DC22	2203-001088	C-CERAMIC,CHIP:0.005nF,0.25pF,50V,NPO,TP		DR46	2007-000493	R-CHIP:2.2KOHM,5%,1/10W,DA,TP,2012	
DC23	2203-000922	C-CERAMIC,CHIP:470nF,+80-20%,25V,Y5V,TP		DR48	2007-000297	R-CHIP:10KOHM,1%,1/10W,DA,TP,2012	
DC24	2203-000938	C-CERAMIC,CHIP:0.47nF,5%,50V,NPO,TP,2012		△ IC01	1204-001598	IC-VIDEO PROCESS:VPC3230D-B2,QFP,80P,-,P	
DC25	2203-000444	C-CERAMIC,CHIP:1nF,10%,50V,X7R,TP,2012,-		△ IC02	AA13-00095A	IC-ASIC,-,SDP01,QFP,128P,PROSCAN	
DC26	2203-000444	C-CERAMIC,CHIP:1nF,10%,50V,X7R,TP,2012,-		△ IC03	1105-001035	IC-DRAM:416S1120,1Mx16Bit,TSOP,50P,400	
DC27	2401-000603	C-AL:1uF,20%,50V,GP,TP,5x11,5		△ IC04	1105-001035	IC-DRAM:416S1120,1Mx16Bit,TSOP,50P,400	
DC28	2203-000218	C-CERAMIC,CHIP:100nF,20%,50V,Y5V,TP,2012		△ IC05	1002-001045	IC-D/A CONVERTER:9280,8BIT,PLCC,68P,-,-	
DC29	2203-000444	C-CERAMIC,CHIP:1nF,10%,50V,X7R,TP,2012,-		△ IC06	1204-001372	IC-HOR./VER.PROCESSO:SDA9361,QFP,44P,-,P	
DC30	2203-000444	C-CERAMIC,CHIP:1nF,10%,50V,X7R,TP,2012,-		△ IC07	1204-001550	IC-VIDEO PROCESS:CXA2101AQ,QFP,80P,-,PLA	
DC31	2203-000444	C-CERAMIC,CHIP:1nF,10%,50V,X7R,TP,2012,-		△ IC11	1203-001419	IC-VOLTAGE REGULATOR:4931,TO-252,3P,6.6x	
DC32	2203-000218	C-CERAMIC,CHIP:100nF,20%,50V,Y5V,TP,2012		△ IC12	1203-001140	IC-VOL. DETECTOR:7039,TO-92P,3P,-,PLASTI	
DC33	2203-000218	C-CERAMIC,CHIP:100nF,20%,50V,Y5V,TP,2012		△ IC13	1203-001359	IC-POS.FIXED REG.:1086,TO-263,3P,15.8MM	
DC34	2203-001002	C-CERAMIC,CHIP:0.047nF,5%,50V,NPO,TP,201		△ IC14	1202-000001	IC-VOLTAGE COMP:7533,TO-92,3P,-,SINGLE,	
DC35	2203-000218	C-CERAMIC,CHIP:100nF,20%,50V,Y5V,TP,2012		PC01	2203-002392	C-CERAMIC,CHIP:220nF,+80-20%,50V,Y5V,TP	
DC36	2203-000239	C-CERAMIC,CHIP:0.1nF,5%,50V,NPO,TP,2012		PC02	2203-000142	C-CERAMIC,CHIP:1.5nF,10%,50V,X7R,TP,2012	
DC37	2203-000142	C-CERAMIC,CHIP:1.5nF,10%,50V,X7R,TP,2012		PC03	2203-000839	C-CERAMIC,CHIP:0.39nF,5%,50V,NPO,TP,2012	
DC38	2203-000239	C-CERAMIC,CHIP:0.1nF,5%,50V,NPO,TP,2012		PC04	2203-000218	C-CERAMIC,CHIP:100nF,20%,50V,Y5V,TP,2012	
DC39	2401-000603	C-AL:1uF,20%,50V,GP,TP,5x11,5		PC05	2203-000979	C-CERAMIC,CHIP:47nF,10%,50V,X7R,TP,2012	
DC40	2203-000218	C-CERAMIC,CHIP:100nF,20%,50V,Y5V,TP,2012		PC06	2203-000142	C-CERAMIC,CHIP:1.5nF,10%,50V,X7R,TP,2012	
DC41	2401-000480	C-AL:10uF,20%,50V,GP,TP,5x11,5		PC07	2203-000218	C-CERAMIC,CHIP:100nF,20%,50V,Y5V,TP,2012	
DC42	2401-000480	C-AL:10uF,20%,50V,GP,TP,5x11,5		PC08	2203-000218	C-CERAMIC,CHIP:100nF,20%,50V,Y5V,TP,2012	
DC43	2401-000480	C-AL:10uF,20%,50V,GP,TP,5x11,5		PC09	2203-000218	C-CERAMIC,CHIP:100nF,20%,50V,Y5V,TP,2012	
DD01	0401-000133	DIODE-SWITCHING:RLS4148,100V,200mA,SOD-8		PC10	2203-000218	C-CERAMIC,CHIP:100nF,20%,50V,Y5V,TP,2012	
DD02	0401-000133	DIODE-SWITCHING:RLS4148,100V,200mA,SOD-8		PC11	2203-000218	C-CERAMIC,CHIP:100nF,20%,50V,Y5V,TP,2012	
DD03	0403-000689	DIODE-ZENER:DTZ5.1A,5.1V,4.84-5.04V,200m		PC12	2203-001172	C-CERAMIC,CHIP:0.006nF,0.25pF,50V,NPO,TP	
DD06	0403-000689	DIODE-ZENER:DTZ5.1A,5.1V,4.84-5.04V,200m		PC13	2203-001172	C-CERAMIC,CHIP:0.006nF,0.25pF,50V,NPO,TP	
DD07	0401-000133	DIODE-SWITCHING:RLS4148,100V,200mA,SOD-8		PC14	2401-002042	C-AL:220uF,20%,10V,GP,TP,6.3x11,5	
DL01	2702-001094	INDUCTOR-RADIAL:10uH,10%,6x4mm		PC15	2203-000979	C-CERAMIC,CHIP:47nF,10%,50V,X7R,TP,2012	
DL02	2702-001094	INDUCTOR-RADIAL:10uH,10%,6x4mm		PC16	2401-002144	C-AL:47uF,20%,16V,GP,TP,5x11,5	
DL03	2702-001094	INDUCTOR-RADIAL:10uH,10%,6x4mm		PC17	2203-002392	C-CERAMIC,CHIP:220nF,+80-20%,50V,Y5V,TP	
DL04	2702-001094	INDUCTOR-RADIAL:10uH,10%,6x4mm		PC18	2203-000142	C-CERAMIC,CHIP:1.5nF,10%,50V,X7R,TP,2012	
DL05	2702-001094	INDUCTOR-RADIAL:10uH,10%,6x4mm		PC19	2203-000839	C-CERAMIC,CHIP:0.39nF,5%,50V,NPO,TP,2012	
DL06	2702-001094	INDUCTOR-RADIAL:10uH,10%,6x4mm		PC20	2203-000444	C-CERAMIC,CHIP:1nF,10%,50V,X7R,TP,2012,-	
DL07	2702-001092	INDUCTOR-RADIAL:2.2uH,10%,6x4mm		PC21	2203-002442	C-CERAMIC,CHIP:330nF,+80-20%,25V,Y5V,TP	
DQ01	0501-000283	TR-SMALL SIGNAL:KSA539,PNP,400mW,TO-92,T		PC22	2203-002442	C-CERAMIC,CHIP:330nF,+80-20%,25V,Y5V,TP	
DR01	2007-000290	R-CHIP:100OHM,5%,1/10W,DA,TP,2012		PC23	2401-002144	C-AL:47uF,20%,16V,GP,TP,5x11,5	
DR02	2007-000290	R-CHIP:100OHM,5%,1/10W,DA,TP,2012		PC24	2203-002392	C-CERAMIC,CHIP:220nF,+80-20%,50V,Y5V,TP	
DR03	2007-001055	R-CHIP:6.2KOHM,5%,1/10W,DA,TP,2012		PC25	2203-000142	C-CERAMIC,CHIP:1.5nF,10%,50V,X7R,TP,2012	
DR04	2007-000401	R-CHIP:150OHM,5%,1/10W,DA,TP,2012		PC26	2203-000839	C-CERAMIC,CHIP:0.39nF,5%,50V,NPO,TP,2012	
DR05	2007-000290	R-CHIP:100OHM,5%,1/10W,DA,TP,2012		PC27	2401-002042	C-AL:220uF,20%,10V,GP,TP,6.3x11,5	
DR06	2007-000290	R-CHIP:100OHM,5%,1/10W,DA,TP,2012		PC28	2203-000979	C-CERAMIC,CHIP:47nF,10%,50V,X7R,TP,2012	
DR07	2007-000401	R-CHIP:150OHM,5%,1/10W,DA,TP,2012		PC29	2203-000218	C-CERAMIC,CHIP:100nF,20%,50V,Y5V,TP,2012	
DR08	2007-000290	R-CHIP:100OHM,5%,1/10W,DA,TP,2012		PC30	2203-000218	C-CERAMIC,CHIP:100nF,20%,50V,Y5V,TP,2012	
DR09	2007-000290	R-CHIP:100OHM,5%,1/10W,DA,TP,2012		PC31	2203-000218	C-CERAMIC,CHIP:100nF,20%,50V,Y5V,TP,2012	
DR10	2007-000401	R-CHIP:150OHM,5%,1/10W,DA,TP,2012		PC32	2203-000218	C-CERAMIC,CHIP:100nF,20%,50V,Y5V,TP,2012	

Electrical Parts List

Loc. No.	Code No.	Description ; Specification	Remark	Loc. No.	Code No.	Description ; Specification	Remark
PC33	2203-000218	C-CERAMIC,CHIP:100nF,20%,50V,Y5V,TP,2012		SC35	2401-000603	C-AL:1uF,20%,50V,GP,TP,5x11,5	
PC34	2203-000218	C-CERAMIC,CHIP:100nF,20%,50V,Y5V,TP,2012		SC37	2203-000218	C-CERAMIC,CHIP:100nF,20%,50V,Y5V,TP,2012	
PC35	2203-000218	C-CERAMIC,CHIP:100nF,20%,50V,Y5V,TP,2012		SC38	2203-000218	C-CERAMIC,CHIP:100nF,20%,50V,Y5V,TP,2012	
PC36	2203-000218	C-CERAMIC,CHIP:100nF,20%,50V,Y5V,TP,2012		SC39	2401-003102	C-AL:100uF,20%,10V,GP,TP,5x11,5	
PC37	2203-000218	C-CERAMIC,CHIP:100nF,20%,50V,Y5V,TP,2012		SC40	2203-000239	C-CERAMIC,CHIP:0.1nF,5%,50V,NP0,TP,2012	
PC38	2203-000218	C-CERAMIC,CHIP:100nF,20%,50V,Y5V,TP,2012		SL01	2007-000493	R-CHIP:2.2KOHM,5%,1/10W,DA,TP,2012	
PC39	2203-000218	C-CERAMIC,CHIP:100nF,20%,50V,Y5V,TP,2012		SL02	2901-000297	FILTER-EMI ON BOARD:-,3A,-,-,3.5x5,TP,-	
PC40	2203-000218	C-CERAMIC,CHIP:100nF,20%,50V,Y5V,TP,2012		SL03	2702-001094	INDUCTOR-RADIAL:10uH,10%,6x4mm	
PC41	2401-002144	C-AL:47uF,20%,16V,GP,TP,5x11,5		SL04	2702-001094	INDUCTOR-RADIAL:10uH,10%,6x4mm	
PC42	2203-000218	C-CERAMIC,CHIP:100nF,20%,50V,Y5V,TP,2012		SL06	2901-000297	FILTER-EMI ON BOARD:-,3A,-,-,3.5x5,TP,-	
PC43	2401-002144	C-AL:47uF,20%,16V,GP,TP,5x11,5		SR01	2007-000572	R-CHIP:220OHM,5%,1/10W,DA,TP,2012	
PC44	2401-002144	C-AL:47uF,20%,16V,GP,TP,5x11,5		SR02	2007-000572	R-CHIP:220OHM,5%,1/10W,DA,TP,2012	
PC45	2203-000218	C-CERAMIC,CHIP:100nF,20%,50V,Y5V,TP,2012		SR03	2011-000585	R-NETWORK:47ohm,5%,63mW,L,CHIP,8P,TP	
PC46	2401-002144	C-AL:47uF,20%,16V,GP,TP,5x11,5		SR04	2011-000585	R-NETWORK:47ohm,5%,63mW,L,CHIP,8P,TP	
PC52	2203-002392	C-CERAMIC,CHIP:220nF,+80-20%,50V,Y5V,TP,		SR05	2011-000585	R-NETWORK:47ohm,5%,63mW,L,CHIP,8P,TP	
PC53	2203-000979	C-CERAMIC,CHIP:47nF,10%,50V,X7R,TP,2012		SR06	2011-000585	R-NETWORK:47ohm,5%,63mW,L,CHIP,8P,TP	
PC54	2203-002392	C-CERAMIC,CHIP:220nF,+80-20%,50V,Y5V,TP,		SR07	2011-000585	R-NETWORK:47ohm,5%,63mW,L,CHIP,8P,TP	
PC55	2203-002442	C-CERAMIC,CHIP:330nF,+80-20%,25V,Y5V,TP,		SR08	2011-000585	R-NETWORK:47ohm,5%,63mW,L,CHIP,8P,TP	
PC56	2203-002442	C-CERAMIC,CHIP:330nF,+80-20%,25V,Y5V,TP,		SR09	2011-000585	R-NETWORK:47ohm,5%,63mW,L,CHIP,8P,TP	
PC57	2203-002442	C-CERAMIC,CHIP:330nF,+80-20%,25V,Y5V,TP,		SR10	2007-000947	R-CHIP:470HM,5%,1/10W,DA,TP,2012	
PC58	2203-002442	C-CERAMIC,CHIP:330nF,+80-20%,25V,Y5V,TP,		SR11	2007-000947	R-CHIP:470HM,5%,1/10W,DA,TP,2012	
PC78	2203-000218	C-CERAMIC,CHIP:100nF,20%,50V,Y5V,TP,2012		SR12	2007-000947	R-CHIP:470HM,5%,1/10W,DA,TP,2012	
PIC01	1204-001598	IC-VIDEO PROCESS:VPC3230D-B2,OFF,80P,-,P		SR13	2011-000585	R-NETWORK:47ohm,5%,63mW,L,CHIP,8P,TP	
PIC02	1109-001144	IC-FIFO:81V04160,2x256Kx8Bit,TQFP,100P		SR14	2011-000585	R-NETWORK:47ohm,5%,63mW,L,CHIP,8P,TP	
PIC04	1203-001419	IC-VOLTAGE REGULATOR:4931,TO-252,3P,6.6x		SR15	2011-000585	R-NETWORK:47ohm,5%,63mW,L,CHIP,8P,TP	
PIC05	1203-001419	IC-VOLTAGE REGULATOR:4931,TO-252,3P,6.6x		SR16	2011-000585	R-NETWORK:47ohm,5%,63mW,L,CHIP,8P,TP	
PL01	2702-001094	INDUCTOR-RADIAL:10uH,10%,6x4mm		SR17	2007-000308	R-CHIP:100OHM,5%,1/10W,DA,TP,2012	
PL02	2901-000297	FILTER-EMI ON BOARD:-,3A,-,-,3.5x5,TP,-		SR50	2007-000290	R-CHIP:100OHM,5%,1/10W,DA,TP,2012	
PL03	2901-000297	FILTER-EMI ON BOARD:-,3A,-,-,3.5x5,TP,-		SR51	2007-000290	R-CHIP:100OHM,5%,1/10W,DA,TP,2012	
PR01	2007-001166	R-CHIP:75OHM,5%,1/10W,DA,TP,2012		SR52	2007-000938	R-CHIP:47KOHM,1%,1/10W,DA,TP,2012	
PR02	2007-001166	R-CHIP:75OHM,5%,1/10W,DA,TP,2012		SR53	2011-000585	R-NETWORK:47ohm,5%,63mW,L,CHIP,8P,TP	
PR03	2007-000290	R-CHIP:100OHM,5%,1/10W,DA,TP,2012		SR54	2011-000585	R-NETWORK:47ohm,5%,63mW,L,CHIP,8P,TP	
PR04	2007-000290	R-CHIP:100OHM,5%,1/10W,DA,TP,2012		SR55	2011-000585	R-NETWORK:47ohm,5%,63mW,L,CHIP,8P,TP	
PR06	2007-000947	R-CHIP:47OHM,5%,1/10W,DA,TP,2012		SR56	2011-000585	R-NETWORK:47ohm,5%,63mW,L,CHIP,8P,TP	
PR07	2007-000947	R-CHIP:47OHM,5%,1/10W,DA,TP,2012		SR58	2007-000290	R-CHIP:100OHM,5%,1/10W,DA,TP,2012	
PR08	2007-000947	R-CHIP:47OHM,5%,1/10W,DA,TP,2012		SR60	2007-000308	R-CHIP:100OHM,5%,1/10W,DA,TP,2012	
PR09	2007-000029	R-CHIP:00HM,5%,1/10W,DA,TP,2012		SR61	2007-000308	R-CHIP:100HM,5%,1/10W,DA,TP,2012	
PR10	2007-000029	R-CHIP:00HM,5%,1/10W,DA,TP,2012		SR62	2007-000308	R-CHIP:100HM,5%,1/10W,DA,TP,2012	
PR15	2007-000029	R-CHIP:00HM,5%,1/10W,DA,TP,2012		SR63	2007-000308	R-CHIP:100HM,5%,1/10W,DA,TP,2012	
PR16	2007-000029	R-CHIP:00HM,5%,1/10W,DA,TP,2012		SR64	2007-000029	R-CHIP:00HM,5%,1/10W,DA,TP,2012	
PR17	2007-000029	R-CHIP:00HM,5%,1/10W,DA,TP,2012		YC01	2203-000922	C-CERAMIC,CHIP:470nF,+80-20%,25V,Y5V,TP,	
PR18	2007-000029	R-CHIP:00HM,5%,1/10W,DA,TP,2012		YC02	2203-000922	C-CERAMIC,CHIP:470nF,+80-20%,25V,Y5V,TP,	
PR19	2007-000029	R-CHIP:00HM,5%,1/10W,DA,TP,2012		YC03	2203-000922	C-CERAMIC,CHIP:470nF,+80-20%,25V,Y5V,TP,	
PR20	2007-000290	R-CHIP:100OHM,5%,1/10W,DA,TP,2012		YC04	2203-000922	C-CERAMIC,CHIP:470nF,+80-20%,25V,Y5V,TP,	
PX01	2801-003432	CRYSTAL-UNIT:20.25MHZ,30PPM,28-AAAM,13PF,		YC05	2203-000922	C-CERAMIC,CHIP:470nF,+80-20%,25V,Y5V,TP,	
SC01	2203-000218	C-CERAMIC,CHIP:100nF,20%,50V,Y5V,TP,2012		YC08	2203-000922	C-CERAMIC,CHIP:470nF,+80-20%,25V,Y5V,TP,	
SC02	2203-000218	C-CERAMIC,CHIP:100nF,20%,50V,Y5V,TP,2012		YC09	2203-000922	C-CERAMIC,CHIP:470nF,+80-20%,25V,Y5V,TP,	
SC03	2203-000218	C-CERAMIC,CHIP:100nF,20%,50V,Y5V,TP,2012		YC10	2203-000922	C-CERAMIC,CHIP:470nF,+80-20%,25V,Y5V,TP,	
SC04	2203-000218	C-CERAMIC,CHIP:100nF,20%,50V,Y5V,TP,2012		YC11	2203-000922	C-CERAMIC,CHIP:470nF,+80-20%,25V,Y5V,TP,	
SC05	2203-000218	C-CERAMIC,CHIP:100nF,20%,50V,Y5V,TP,2012		YC12	2203-000922	C-CERAMIC,CHIP:470nF,+80-20%,25V,Y5V,TP,	
SC06	2203-000218	C-CERAMIC,CHIP:100nF,20%,50V,Y5V,TP,2012		YC13	2203-000922	C-CERAMIC,CHIP:470nF,+80-20%,25V,Y5V,TP,	
SC07	2401-002144	C-AL:47uF,20%,16V,GP,TP,5x11,5		YC14	2203-000922	C-CERAMIC,CHIP:470nF,+80-20%,25V,Y5V,TP,	
SC08	2203-000218	C-CERAMIC,CHIP:100nF,20%,50V,Y5V,TP,2012		YC15	2203-000922	C-CERAMIC,CHIP:470nF,+80-20%,25V,Y5V,TP,	
SC09	2203-000218	C-CERAMIC,CHIP:100nF,20%,50V,Y5V,TP,2012		YC16	2203-000922	C-CERAMIC,CHIP:470nF,+80-20%,25V,Y5V,TP,	
SC10	2203-000218	C-CERAMIC,CHIP:100nF,20%,50V,Y5V,TP,2012		YC17	2203-000922	C-CERAMIC,CHIP:470nF,+80-20%,25V,Y5V,TP,	
SC11	2203-000218	C-CERAMIC,CHIP:100nF,20%,50V,Y5V,TP,2012		YC18	2203-000922	C-CERAMIC,CHIP:470nF,+80-20%,25V,Y5V,TP,	
SC12	2401-002144	C-AL:47uF,20%,16V,GP,TP,5x11,5		YC19	2203-000922	C-CERAMIC,CHIP:470nF,+80-20%,25V,Y5V,TP,	
SC13	2203-000218	C-CERAMIC,CHIP:100nF,20%,50V,Y5V,TP,2012		YC20	2203-000922	C-CERAMIC,CHIP:470nF,+80-20%,25V,Y5V,TP,	
SC16	2401-002144	C-AL:47uF,20%,16V,GP,TP,5x11,5		YC23	2401-002144	C-AL:47uF,20%,16V,GP,TP,5x11,5	
SC17	2203-000218	C-CERAMIC,CHIP:100nF,20%,50V,Y5V,TP,2012		YC24	2203-000218	C-CERAMIC,CHIP:100nF,20%,50V,Y5V,TP,2012	
SC18	2203-000218	C-CERAMIC,CHIP:100nF,20%,50V,Y5V,TP,2012		YC25	2203-000260	C-CERAMIC,CHIP:10nF,10%,50V,X7R,TP,2012	
SC19	2203-000218	C-CERAMIC,CHIP:100nF,20%,50V,Y5V,TP,2012		YC28	2203-000218	C-CERAMIC,CHIP:100nF,20%,50V,Y5V,TP,2012	
SC20	2203-000218	C-CERAMIC,CHIP:100nF,20%,50V,Y5V,TP,2012		YC29	2203-000218	C-CERAMIC,CHIP:100nF,20%,50V,Y5V,TP,2012	
SC21	2203-000218	C-CERAMIC,CHIP:100nF,20%,50V,Y5V,TP,2012		YC30	2401-002144	C-AL:47uF,20%,16V,GP,TP,5x11,5	
SC22	2203-000218	C-CERAMIC,CHIP:100nF,20%,50V,Y5V,TP,2012		YC31	2203-000218	C-CERAMIC,CHIP:100nF,20%,50V,Y5V,TP,2012	
SC23	2401-002144	C-AL:47uF,20%,16V,GP,TP,5x11,5		YC32	2203-000218	C-CERAMIC,CHIP:100nF,20%,50V,Y5V,TP,2012	
SC24	2203-000218	C-CERAMIC,CHIP:100nF,20%,50V,Y5V,TP,2012		YC33	2203-000218	C-CERAMIC,CHIP:100nF,20%,50V,Y5V,TP,2012	
SC25	2203-000218	C-CERAMIC,CHIP:100nF,20%,50V,Y5V,TP,2012		YC34	2203-000922	C-CERAMIC,CHIP:470nF,+80-20%,25V,Y5V,TP,	
SC26	2203-000218	C-CERAMIC,CHIP:100nF,20%,50V,Y5V,TP,2012		YC35	2401-000493	C-AL:10uF,20%,50V,LZ,TP,5x11mm,5mm	
SC27	2203-000218	C-CERAMIC,CHIP:100nF,20%,50V,Y5V,TP,2012		YC36	2203-000260	C-CERAMIC,CHIP:10nF,10%,50V,X7R,TP,2012	
SC28	2203-000218	C-CERAMIC,CHIP:100nF,20%,50V,Y5V,TP,2012		YC37	2203-000260	C-CERAMIC,CHIP:10nF,10%,50V,X7R,TP,2012	
SC29	2203-000218	C-CERAMIC,CHIP:100nF,20%,50V,Y5V,TP,2012		YC38	2203-000260	C-CERAMIC,CHIP:10nF,10%,50V,X7R,TP,2012	
SC30	2401-003102	C-AL:100uF,20%,10V,GP,TP,5x11,5		YC39	2203-000260	C-CERAMIC,CHIP:10nF,10%,50V,X7R,TP,2012	
SC31	2203-000218	C-CERAMIC,CHIP:100nF,20%,50V,Y5V,TP,2012		YC40	2203-000260	C-CERAMIC,CHIP:10nF,10%,50V,X7R,TP,2012	
SC32	2401-003102	C-AL:100uF,20%,10V,GP,TP,5x11,5		YC41	2203-000260	C-CERAMIC,CHIP:10nF,10%,50V,X7R,TP,2012	
SC33	2203-000218	C-CERAMIC,CHIP:100nF,20%,50V,Y5V,TP,2012		YC42	2401-000480	C-AL:10uF,20%,50V,GP,TP,5x11,5	
SC34	2203-000218	C-CERAMIC,CHIP:100nF,20%,50V,Y5V,TP,2012		YC45	2203-000922	C-CERAMIC,CHIP:470nF,+80-20%,25V,Y5V,TP,	

Loc. No.	Code No.	Description ; Specification	Remark
DF08	0402-000546	DIODE-RECTIFIER:TVR10G,400V,1.0A,DO-41,T	
DZ501	0403-001211	DIODE-ZENER:MTZJ12B,11.44-12.03V,500MW,D	
DZ502	0403-001211	DIODE-ZENER:MTZJ12B,11.44-12.03V,500MW,D	
DZ503	0403-001211	DIODE-ZENER:MTZJ12B,11.44-12.03V,500MW,D	
DZ504	0403-001324	DIODE-ZENER:MTZJ13A,12.11-12.75V,500mW,D	
DZ510	0403-000698	DIODE-ZENER:TZP12A,12V,11.4-12.6V,1W,DO-FN1	
FN1	3711-002643	CONNECTOR-HEADER:BOX,4P,1R,2.5MM,STRAIGH	
FV1	3711-002642	CONNECTOR-HEADER:BOX,3P,1R,2.5MM,STRAIGH	
LF01	2701-000178	INDUCTOR-AXIAL:33uH,10%,3x7mm	
LF02	3301-000287	CORE-FERRITE BEAD:AA,3.5x1.0x6.0mm,1500,	
LF03	2701-000112	INDUCTOR-AXIAL:100uH,10%,3x7mm	
LF04	3301-000287	CORE-FERRITE BEAD:AA,3.5x1.0x6.0mm,1500,	
LF06	2901-000297	FILTER-EMI ON BOARD:-,3A,-,-,3.5x5,TP-	
LF08	2901-000297	FILTER-EMI ON BOARD:-,3A,-,-,3.5x5,TP-	
LF09	2901-000297	FILTER-EMI ON BOARD:-,3A,-,-,3.5x5,TP-	
LF11	2901-000297	FILTER-EMI ON BOARD:-,3A,-,-,3.5x5,TP-	
O504	0501-000283	TR-SMALL SIGNAL:KSA539,PNP,400mW,TO-92,T	
QF01	0501-000389	TR-SMALL SIGNAL:KSC815,NPN,400mW,TO-92,T	
QF02	0501-000389	TR-SMALL SIGNAL:KSC815,NPN,400mW,TO-92,T	
QF03	0501-000389	TR-SMALL SIGNAL:KSC815,NPN,400mW,TO-92,T	
QF04	0501-000283	TR-SMALL SIGNAL:KSA539,PNP,400mW,TO-92,T	
QF05	0501-000389	TR-SMALL SIGNAL:KSC815,NPN,400mW,TO-92,T	
R501	2001-000241	R-CARBON:1.5KOHM,5%,1/8W,AA,TP,1.8X3.2M	
R502	2001-000252	R-CARBON:1.6KOHM,5%,1/8W,AA,TP,1.8X3.2M	
R503	2001-000241	R-CARBON:1.5KOHM,5%,1/8W,AA,TP,1.8X3.2M	
R504	2001-001045	R-CARBON(S):1.2KOHM,5%,1/2W,AA,TP,2.4X6.4	
R505	2001-001045	R-CARBON(S):1.2KOHM,5%,1/2W,AA,TP,2.4X6.4	
R506	2001-001045	R-CARBON(S):1.2KOHM,5%,1/2W,AA,TP,2.4X6.4	
R507	2001-000472	R-CARBON:2.7KOHM,5%,1/8W,AA,TP,1.8X3.2M	
R508	2001-000995	R-CARBON:820OHM,5%,1/8W,AA,TP,1.8X3.2MM	
R510	2001-001194	R-CARBON(S):82KOHM,5%,1/2W,AA,TP,2.4X6.4	
R511	2001-001194	R-CARBON(S):82KOHM,5%,1/2W,AA,TP,2.4X6.4	
R512	2001-001194	R-CARBON(S):82KOHM,5%,1/2W,AA,TP,2.4X6.4	
R513	2002-001008	R-COMPOSITION:1.8Kohm,10%,1/2W,AA,TP,3.7	
R514	2002-001008	R-COMPOSITION:1.8Kohm,10%,1/2W,AA,TP,3.7	
R515	2002-001008	R-COMPOSITION:1.8Kohm,10%,1/2W,AA,TP,3.7	
R518	2001-001095	R-CARBON(S):2.2MOHM,5%,1/2W,AA,TP,2.4X6.4	
R519	2001-000356	R-CARBON:150KOHM,5%,1/8W,AA,TP,1.8X3.2M	
R520	2001-000331	R-CARBON:12KOHM,5%,1/8W,AA,TP,1.8X3.2MM	
R521	2001-000221	R-CARBON:1.2KOHM,5%,1/8W,AA,TP,1.8X3.2M	
R522	2001-000290	R-CARBON:10KOHM,5%,1/8W,AA,TP,1.8X3.2MM	
R523	2001-000890	R-CARBON:6.8KOHM,5%,1/8W,AA,TP,1.8X3.2M	
R524	2002-001012	R-COMPOSITION:8.2Mohm,5%,1/2W,AA,TP,3.7x	
R525	2002-001006	R-COMPOSITION:4.7Kohm,5%,1/2W,AA,TP,3.7x	
R528	2008-000206	R-FUSIBLE(S):1ohm,5%,1/2W,AF,TP,2.5x6.5m	
R540	2001-000429	R-CARBON:1KOHM,5%,1/8W,AA,TP,1.8X3.2MM	
R554	2001-000429	R-CARBON:1KOHM,5%,1/8W,AA,TP,1.8X3.2MM	
R555	2001-000429	R-CARBON:1KOHM,5%,1/8W,AA,TP,1.8X3.2MM	
R556	2001-000429	R-CARBON:1KOHM,5%,1/8W,AA,TP,1.8X3.2MM	
R560	2001-001049	R-CARBON(S):1.3KOHM,5%,1/2W,AA,TP,2.4X6.4	
R561	2001-001126	R-CARBON(S):300OHM,5%,1/2W,AA,TP,2.4X6.4	
R562	2001-000273	R-CARBON:100KOHM,5%,1/8W,AA,TP,1.8X3.2M	
R563	2001-000273	R-CARBON:100KOHM,5%,1/8W,AA,TP,1.8X3.2M	
R564	2001-000290	R-CARBON:10KOHM,5%,1/8W,AA,TP,1.8X3.2MM	
R565	2004-001379	R-METAL(S):12Kohm,1%,1/2W,AA,TP,2.4x6.4m	
R566	2001-001040	R-CARBON(S):0.68OHM,5%,1/2W,AA,TP,2.4X6.4	
RF02	2001-000924	R-CARBON:680OHM,5%,1/8W,AA,TP,1.8X3.2MM	
RF03	2001-000522	R-CARBON:22KOHM,5%,1/8W,AA,TP,1.8X3.2MM	
RF04	2001-000989	R-CARBON:820KOHM,5%,1/8W,AA,TP,1.8X3.2M	
RF17	2001-000019	R-CARBON(S):10OHM,5%,1/2W,AA,TP,2.4X6.4M	
RF18	2001-000022	R-CARBON(S):330OHM,5%,1/2W,AA,TP,2.4X6.4M	
RF19	2001-000022	R-CARBON(S):330OHM,5%,1/2W,AA,TP,2.4X6.4M	
RF20	2001-000331	R-CARBON:12KOHM,5%,1/8W,AA,TP,1.8X3.2MM	
RF21	2001-000258	R-CARBON:1.8KOHM,5%,1/8W,AA,TP,1.8X3.2M	
RF22	2001-000221	R-CARBON:1.2KOHM,5%,1/8W,AA,TP,1.8X3.2M	
RF23	2001-000554	R-CARBON:270OHM,5%,1/8W,AA,TP,1.8X3.2MM	
RF24	2003-001018	R-METAL OXIDE(S):220ohm,5%,2W,AF,TP,3.9x	
RF25	2001-000241	R-CARBON:1.5KOHM,5%,1/8W,AA,TP,1.8X3.2M	
RF26	2001-001179	R-CARBON(S):68KOHM,5%,1/2W,AA,TP,2.4X6.4	
RF27	2001-001179	R-CARBON(S):68KOHM,5%,1/2W,AA,TP,2.4X6.4	
RF28	2001-000241	R-CARBON:1.5KOHM,5%,1/8W,AA,TP,1.8X3.2M	
RF29	2001-001071	R-CARBON(S):12KOHM,5%,1/2W,AA,TP,2.4X6.4	
RF30	2001-000221	R-CARBON:1.2KOHM,5%,1/8W,AA,TP,1.8X3.2M	
RF31	2001-000221	R-CARBON:1.2KOHM,5%,1/8W,AA,TP,1.8X3.2M	
RF32	2003-000746	R-METAL OXIDE(S):56ohm,5%,2W,AF,TP,4x12m	
RF33	2001-001100	R-CARBON(S):2.7OHM,5%,1/2W,AA,TP,2.4X6.4	

Loc. No.	Code No.	Description ; Specification	Remark
RF34	2001-001100	R-CARBON(S):2.7OHM,5%,1/2W,AA,TP,2.4X6.4	
RF35	2003-000746	R-METAL OXIDE(S):56ohm,5%,2W,AF,TP,4x12m	
RF36	2003-001018	R-METAL OXIDE(S):220ohm,5%,2W,AF,TP,3.9x	
AA39-200108	LEAD CONNECTOR-ASSY:-,YFH800-01,S,1P,500		

ASSY PCB POWER

* AA95-00743CASSY PCB POWER;TSK3092WFX/XAA,KS4A,32,-

C407	2301-001268	C-FILM,PPF:33nF,5%,630V,TP,20x11x17,7.5	
C408	2303-000334	C-FILM,PPF:3nF,5%,1.6KV,BK,31x13.5x8,20	
C409	2306-000204	C-FILM,MPPF:430nF,5%,400V,TP,26x20.5x12.	
C412	2301-001192	C-FILM,MPPF:820nF,5%,400V,TP,29x18.5x25.	
C413	2306-000324	C-FILM,MPPF:33nF,5%,1.6KV,TP,28.5x13.5x	
C419	2306-000123	C-FILM,MPPF:100nF,5%,630V,BK,26x16.5x8.5	
C427	2303-000334	C-FILM,PPF:3nF,5%,1.6KV,BK,31x13.5x8,20	
C809	2306-000323	C-FILM,MPPF:2.2nF,5%,1.6KV,TP,28.5x15.5x	
C810	2401-000560	C-AL:1uF,20%,160V,GP,TP,6.3x11,5	
C813	2401-003370	C-AL:47uF,20%,450V,GP,BK,16X35.5,7.	
C814	2401-003190	C-AL:470uF,20%,450V,GP,BK,35x45,22.	
C819	2401-002287	C-AL:470uF,20%,200V,WT,BK,25x40,10.	
C820	2401-003024	C-AL:220uF,20%,200V,WT,TP,22x35,10	
C822	2401-000737	C-AL:2200uF,20%,50V,GP,TP,18x35.5,7	
CN801	3711-003052	CONNECTOR-HEADER:BOX,10P,1R,2.5mm,STRAIGH	
CN803	3710-001103	CONNECTOR-SOCKET:14P,1R,2.5mm,STRAIGHT,S	
CN804	3710-001103	CONNECTOR-SOCKET:14P,1R,2.5mm,STRAIGHT,S	
△CX801S	2306-000318	C-FILM,MPPF:220nF,20%,250V,TP,22.5mm	
△CX802S	2306-000318	C-FILM,MPPF:220nF,20%,250V,TP,22.5mm	
△CX803S	2306-000112	C-FILM,MPPF:100nF,20%,250V,BK,15mm	
△CY801S	2201-000539	C-CERAMIC,DISC:4.7nF,20%,250V,Y5V,BK,16x	
△CY802S	2201-000539	C-CERAMIC,DISC:4.7nF,20%,250V,Y5V,BK,16x	
D406	0402-000534	DIODE-RECTIFIER:RG10V,400V,1.2A,DO-201,T	
D804	0402-000250	DIODE-RECTIFIER:RG4C,1000V,1A,-	
D806	0402-000549	DIODE-BRIDGE:RBV606,600V,6A,-,BK	H/SINK
D817	0402-000233	DIODE-RECTIFIER:FML-G12S,200V,5A,-,-	H/SINK
D817	0402-000231	DIODE-RECTIFIER:FMG-G26S,600V,4A,TO-220F	H/SINK
D819	0402-000233	DIODE-RECTIFIER:FML-G12S,200V,5A,-,-	
△FP801S	3601-000300	FUSE-CARTRIDGE:250V,6.3A,SLOW-BLOW,GLASS	
△IC301	1204-000517	IC-VERTICAL DEF:LA7845,SIP,7P,-,PLASTIC	H/SINK
△IC403	1202-000103	IC-VOLTAGE COMP:393,DIP,8P,300MIL,DUAL,	
△IC801S	AA13-00018A	IC-HYBRID:-,STR-F6656,L1F351,5PIN,-,-	H/SINK
△IC803S	AA13-00024A	IC-HYBRID:-,TNY253P,-,8PIN,-,-	
L401	AA27-00057A	COIL HORIZ. WIDTH:-,10mH,YL-9N 15x27.5 C	
L402	AA27-10004F	COIL-CHOKE:-,56uH,K,-,2.5A,BK,-,DR12x15,	
L403	AA27-00025A	COIL-CHOKE:-,1mH,10%,,-,BK,-,12X20,14X2	
L404	AA27-00070A	COIL LINEARITY:-,7uH,YL81 DR1518,11mm,17	
L405	AA27-40003P	COIL-HORIZ.WIDTH:-,120uH/180uH,Th8x20,US	
L812	AA27-10002L	COIL-CHOKE:-,24UH,K,-,2A,-,24UH-K,10X10M	
L815	AA27-10002L	COIL-CHOKE:-,24UH,K,-,2A,-,24UH-K,10X10M	
LS401	AA27-10002V	COIL-CHOKE:-,6.3MH,K,-,500MA,-,NY632K(50	
△LX801S	AA29-30001Z	FILTER-LINE NOISE:-,10mH,2.8A,-,SQE3535	
△LX802S	AA29-30002D	FILTER-LINE NOISE:-,10mH,2.8A,-,SQE-3535	
△NT801S	1404-001045	THERMISTOR-NTC:4.7OHM,15%,2900K,35.0MW,T	
△PC801S	0604-001038	PHOTO-COUPLER:TR,130-260%,200mW,DIP,4,ST	
△PC802S	0604-001032	PHOTO-COUPLER:TR,170-260%,300mW,DIP,4,ST	
△PT801S	1404-001026	THERMISTOR-PTC:70HM,20%,290V,25A,-,QT	
△Q403	0505-000156	FET-SILICON:IRF620,N,200V,5A,0.8ohm,50W,	
△Q404	0505-001116	FET-SILICON:BUZ73A,N,200V,22A,0.6ohm,40W	
△Q405	0502-001175	TR-POWER:2SC5446,NPN,200000mW,TO-3PL,BK	H/SINK
△Q405	0402-001296	DIODE-RECTIFIER:FMP-3FU,1.5KV,5A,TO-3PF,	H/SINK
△Q801	1004-000101	IC-ECC:SE-140N,DIP,-,-,ST,-,PLASTIC,1	
R815	2003-002206	R-METAL OXIDE(S):27Kohm,5%,3W,AG,TP,6x16	
R816	2003-002206	R-METAL OXIDE(S):27Kohm,5%,3W,AG,TP,6x16	
△RL801S	3501-001040	RELAY-POWER:12VDC,500mW,10A,1FORMA,15mS,	
△RL802S	3501-001053	RELAY-POWER:5VDC,530MW,10A,1FORMA,15MS,5	
R501	2006-001081	R-CEMENT:82ohm,5%,5W,CJ,TP,14x10x27mm	
R502	2006-001081	R-CEMENT:82ohm,5%,5W,CJ,TP,14x10x27mm	
SWS01	3409-000138	SWITCH-LEVER:30V,200mA,SP3T,NON SHORTING	
SWS02	3409-000138	SWITCH-LEVER:30V,200mA,SP3T,NON SHORTING	
△T401	AA26-50001S	TRANS-HORIZ.DRIVE:-,6.0mH,44uH,1.5uH,EI2	
△T402	AA26-90002C	TRANS-DUMMY:3.5mH,EER2834,130/1200,ST	
△T444	AA26-00067A	TRANS-FBT:FUJ-34C001(S),FUJ-34C001(S),1.	
△T801S	AA26-00056A	TRANS SWITCHING:-,-,AC90-260V,DC135V/2	
△TS801S	AA26-00055A	TRANS SWITCHING:-,-,AC80-280V,-,-,4m	
	0401-000005	DIODE-SWITCHING:1N4148,100V,200MA,DO-35,	

Loc. No.	Code No.	Description ; Specification	Remark	Loc. No.	Code No.	Description ; Specification	Remark
C301	2301-000160	C-FILM,PEF:12nF,5%,50V,TP,11.0x6.0x9.0mm		DS02	0402-000132	DIODE-RECTIFIER:1N4004,400V,1A,DO-41,TP	
C302	2201-000132	C-CERAMIC,DISC:0.1nF,10%,500V,Y5P,TP,6.5		DZ301	0403-001329	DIODE-ZENER:MTZJ24B,22.61-23.77V,500mW,D	
C304	2401-000365	C-AL:100uF,20%,50V,WT,TP,10x12.5mm,		DZ302	0403-001329	DIODE-ZENER:MTZJ24B,22.61-23.77V,500mW,D	
C305	2401-000360	C-AL:100uF,20%,50V,GP,TP,8x11.5,5		DZ303	0403-001221	DIODE-ZENER:UZ39BSB,35.36-37.19V,500mW,D	
C306	2305-000285	C-FILM,MPEF:220nF,5%,100V,TP,10.5X5.5X15		DZ304	0403-000700	DIODE-ZENER:TZP33A,33V,31-35V,1W,DO-41,T	
C307	2305-000285	C-FILM,MPEF:220nF,5%,100V,TP,10.5X5.5X15		DZ305	0403-001325	DIODE-ZENER:MTZJ15C,14.35-15.09V,500mW,D	
C401	2301-000247	C-FILM,PEF:33nF,5%,50V,TP,8.1x4.5x13mm,5		DZ306	0403-000716	DIODE-ZENER:MTZJ4.7B,4.7V,4.55-4.8V,500m	
C402	2301-000213	C-FILM,PEF:220nF,5%,250V,TP,21.5x11,7,5		DZ307	0403-001330	DIODE-ZENER:MTZJ30A,26.99-28.39V,500mW,D	
C406	2401-000832	C-AL:220uF,20%,25V,GP,TP,8x11.5,5		DZ401	0403-001322	DIODE-ZENER:MTZJ8.2B,7.78-8.19V,500mW,DO	
C410	2301-000188	C-FILM,PEF:1nF,5%,100V,TP,10.5x12.5x6,5,		DZ402	0403-001325	DIODE-ZENER:MTZJ15C,14.35-15.09V,500mW,DO	
C411	2301-001143	C-FILM,PPF:56nF,5%,400V,TP,20x10x17,7,5		DZ403	0403-001140	DIODE-ZENER:RD10ESAB-T4,10V,9.19-10.30V,	
C416	2401-001527	C-AL:47uF,20%,250V,HR,TP,13x25mm,5m		DZ801	0403-001322	DIODE-ZENER:MTZJ8.2B,7.78-8.19V,500mW,DO	
C417	2401-000927	C-AL:22uF,20%,250V,GP,TP,13x20,5		DZ802	0403-000508	DIODE-ZENER:MTZJ5.6B,5.6V,5.45-5.73V,500	
C418	2201-000291	C-CERAMIC,DISC:1nF,10%,500V,Y5P,TP,7.5x3		DZ803	0403-001327	DIODE-ZENER:MTZJ18A,16.22-17.06V,500mW,D	
C420	2201-000556	C-CERAMIC,DISC:0.47nF,10%,500V,Y5P,TP,5,		△ FA801S	3601-001228	FUSE-AXIAL LEAD:125V,10A,FAST-ACTING,EPO	
C421	2201-000556	C-CERAMIC,DISC:0.47nF,10%,500V,Y5P,TP,5,		△ FA802S	3601-001228	FUSE-AXIAL LEAD:125V,10A,FAST-ACTING,EPO	
C422	2201-000556	C-CERAMIC,DISC:0.47nF,10%,500V,Y5P,TP,5,		△ FD802S	3601-000120	FUSE-AXIAL LEAD:125V,2.5A,FAST-ACTING,GL	
C423	2401-001655	C-AL:680uF,20%,25V,GP,TP,10x20,5		FP801A	3602-000114	FUSE-HOLDER:-,30mohm	
C424	2401-002597	C-AL:220uF,20%,35V,GP,TP,10x12.5,5		FP801B	3602-000114	FUSE-HOLDER:-,30mohm	
C425	2305-000470	C-FILM,MPEF:68nF,5%,100V,TP,-,5mm		J105	2001-001043	R-CARBON(S):0OHM,5%,1/2W,AA,TP,2.4X6.4MM	
C426	2202-002037	C-CERAMIC,MLC-AXIAL:100nF,80-20%,50V,Y5V		J106	2001-001043	R-CARBON(S):0OHM,5%,1/2W,AA,TP,2.4X6.4MM	
C428	2301-000232	C-FILM,PEF:3.3nF,5%,50V,TP,8.1x4.5x13mm,		J118	2001-001043	R-CARBON(S):0OHM,5%,1/2W,AA,TP,2.4X6.4MM	
C429	2301-000356	C-FILM,PEF:47nF,5%,50V,TP,7.5x4.0x6.5,5m		J125	2001-001043	R-CARBON(S):0OHM,5%,1/2W,AA,TP,2.4X6.4MM	
C430	2401-001655	C-AL:680uF,20%,25V,GP,TP,10x20,5		J127	2001-001043	R-CARBON(S):0OHM,5%,1/2W,AA,TP,2.4X6.4MM	
C431	2401-000302	C-AL:100uF,20%,25V,GP,TP,6.3x11.5		J130	2001-001043	R-CARBON(S):0OHM,5%,1/2W,AA,TP,2.4X6.4MM	
C440	2201-000291	C-CERAMIC,DISC:1nF,10%,500V,Y5P,TP,7.5x3		J135	2001-001043	R-CARBON(S):0OHM,5%,1/2W,AA,TP,2.4X6.4MM	
C452	2301-000383	C-FILM,PEF:10nF,5%,50V,TP,6x7x3.2mm,5mm		J173	2001-001043	R-CARBON(S):0OHM,5%,1/2W,AA,TP,2.4X6.4MM	
C454	2201-000599	C-CERAMIC,DISC:0.56nF,10%,500V,Y5P,TP,5,		L302	3301-000287	CORE-FERRITE BEAD:AA,3.5x1.0x6.0mm,1500,	
C803	2201-000315	C-CERAMIC,DISC:2.2nF,+80-20%,250V,Y5U,TP		L303	3301-000287	CORE-FERRITE BEAD:AA,3.5x1.0x6.0mm,1500,	
C804	2201-000119	C-CERAMIC,DISC:100nF,+80-20%,50V,Y5V,TP,		L406	2901-000297	FILTER-EMI ON BOARD:-,3A,-,-,3.5x5,TP,-	
C805	2201-002076	C-CERAMIC,DISC:0.068nF,5%,1kV,SL,TP,8x4m		L407	2901-000297	FILTER-EMI ON BOARD:-,3A,-,-,3.5x5,TP,-	
C806	2401-000360	C-AL:100uF,20%,50V,GP,TP,8x11.5,5		L409	3301-000287	CORE-FERRITE BEAD:AA,3.5x1.0x6.0mm,1500,	
C808	2201-000292	C-CERAMIC,DISC:1nF,10%,50V,Y5P,TP,5x3,5,		L410	2701-001032	INDUCTOR-AXIAL:100uH,10%,5x14mm	
C811	2201-000315	C-CERAMIC,DISC:2.2nF,+80-20%,250V,Y5U,TP		L802	2901-000299	FILTER-EMI ON BOARD:-,6A,UL/CSA,-,9x7,5,	
C812	2201-000332	C-CERAMIC,DISC:2.2nF,20%,250V,Y5U,TP,9x4		L803	2901-000297	FILTER-EMI ON BOARD:-,3A,-,-,3.5x5,TP,-	
C816	2201-002041	C-CERAMIC,DISC:0.82nF,10%,2kV,Y5P,TP,9x5		L804	2901-000297	FILTER-EMI ON BOARD:-,3A,-,-,3.5x5,TP,-	
C817	2301-001171	C-FILM,PPF:10nF,5%,400V,TP,20x6.5x13,7,5		L805	2901-000297	FILTER-EMI ON BOARD:-,3A,-,-,3.5x5,TP,-	
C818	2201-000551	C-CERAMIC,DISC:0.47nF,10%,1kV,Y5P,TP,6,3		L806	2901-000297	FILTER-EMI ON BOARD:-,3A,-,-,3.5x5,TP,-	
C821	2201-000551	C-CERAMIC,DISC:0.47nF,10%,1kV,Y5P,TP,6,3		L807	3301-000287	CORE-FERRITE BEAD:AA,3.5x1.0x6.0mm,1500,	
C824	2201-000556	C-CERAMIC,DISC:0.47nF,10%,500V,Y5P,TP,5,		L808	3301-000287	CORE-FERRITE BEAD:AA,3.5x1.0x6.0mm,1500,	
C825	2401-000722	C-AL:220uF,20%,25V,WT,TP,16x25,7,5		L809	2901-000297	FILTER-EMI ON BOARD:-,3A,-,-,3.5x5,TP,-	
C826	2401-000722	C-AL:220uF,20%,25V,WT,TP,16x25,7,5		L810	2701-001030	INDUCTOR-AXIAL:43uH,10%,5x14mm	
C828	2401-000722	C-AL:220uF,20%,25V,WT,TP,16x25,7,5		L811	2901-000297	FILTER-EMI ON BOARD:-,3A,-,-,3.5x5,TP,-	
C829	2401-001397	C-AL:470uF,20%,25V,GP,TP,10x16,5		L813	2901-000297	FILTER-EMI ON BOARD:-,3A,-,-,3.5x5,TP,-	
C833	2305-000412	C-FILM,MPEF:470nF,5%,63V,TP,-,5mm		L814	2901-000297	FILTER-EMI ON BOARD:-,3A,-,-,3.5x5,TP,-	
C834	2401-001840	C-AL:100uF,20%,16V,GP,TP,6.3x11,5		L817	3301-000287	CORE-FERRITE BEAD:AA,3.5x1.0x6.0mm,1500,	
C835	2201-000556	C-CERAMIC,DISC:0.47nF,10%,500V,Y5P,TP,5,		L818	2701-001030	INDUCTOR-AXIAL:43uH,10%,5x14mm	
C838	2401-001363	C-AL:470uF,20%,16V,GP,TP,10x12.5,5		L822	2901-000299	FILTER-EMI ON BOARD:-,6A,UL/CSA,-,9x7,5,	
C839	2201-000551	C-CERAMIC,DISC:0.47nF,10%,1kV,Y5P,TP,6,3		L823	2901-000299	FILTER-EMI ON BOARD:-,6A,UL/CSA,-,9x7,5,	
CS01	2301-001268	C-FILM,PPF:33nF,5%,630V,TP,20x11x17,7,5		Q401	0501-000389	TR-SMALL SIGNAL:KSC815,NPN,400mW,TO-92,T	
D301	0402-000546	DIODE-RECTIFIER:TVR10G,400V,1.0A,DO-41,T		Q402	0501-000389	TR-SMALL SIGNAL:KSC815,NPN,400mW,TO-92,T	
D401	0401-000005	DIODE-SWITCHING:1N4148,100V,200MA,DO-35,		Q802	0501-000369	TR-SMALL SIGNAL:KSC2331-Y,NPN,1W,TO-92L,	
D402	0401-000005	DIODE-SWITCHING:1N4148,100V,200MA,DO-35,		Q803	0501-000369	TR-SMALL SIGNAL:KSC2331-Y,NPN,1W,TO-92L,	
D403	0402-001105	DIODE-RECTIFIER:ERB43-04SV1,400V,1.0A,-,		Q804	0501-000389	TR-SMALL SIGNAL:KSC815,NPN,400mW,TO-92,T	
D404	0402-000493	DIODE-RECTIFIER:1R5GU41,400V,1.5A,DO-15L		R301	2001-001093	R-CARBON(S):2.2KOHM,5%,1/2W,AA,TP,2.4X6.	
D405	0402-000534	DIODE-RECTIFIER:RG10V,400V,1.2A,DO-201,T		R302	2001-001093	R-CARBON(S):2.2KOHM,5%,1/2W,AA,TP,2.4X6.	
D408	0402-000540	DIODE-RECTIFIER:RU20A,600V,1.5A,-,TP		R305	2001-001057	R-CARBON(S):1.80HM,5%,1/2W,AA,TP,2.4X6.4	
D409	0402-000540	DIODE-RECTIFIER:RU20A,600V,1.5A,-,TP		R306	2001-001163	R-CARBON(S):560OHM,5%,1/2W,AA,TP,2.4X6.4	
D410	0401-000005	DIODE-SWITCHING:1N4148,100V,200MA,DO-35,		R307	2001-001144	R-CARBON(S):4.7KOHM,5%,1/2W,AA,TP,2.4X6.	
D411	0402-000546	DIODE-RECTIFIER:TVR10G,400V,1.0A,DO-41,T		R309	2001-000016	R-CARBON(S):10HM,5%,1/2W,AA,TP,2.4X6.4MM	
D412	0401-000005	DIODE-SWITCHING:1N4148,100V,200MA,DO-35,		R310	2003-000746	R-METAL OXIDE(S):56ohm,5%,2W,AF,TP,4x12m	
D450	0402-000132	DIODE-RECTIFIER:1N4004,400V,1A,DO-41,TP		R311	2003-000746	R-METAL OXIDE(S):56ohm,5%,2W,AF,TP,4x12m	
D451	0402-000132	DIODE-RECTIFIER:1N4004,400V,1A,DO-41,TP		R312	2004-004366	R-METAL(S):1.3Kohm,1%,1/2W,AA,TP,2.5x6.5	
D801	0402-000532	DIODE-RECTIFIER:ERC13-08,800V,1.2A,DO-20		R313	2001-001057	R-CARBON(S):1.80HM,5%,1/2W,AA,TP,2.4X6.4	
D802	0402-000546	DIODE-RECTIFIER:TVR10G,400V,1.0A,DO-41,T		R314	2004-004366	R-METAL(S):1.3Kohm,1%,1/2W,AA,TP,2.5x6.5	
D803	0402-000546	DIODE-RECTIFIER:TVR10G,400V,1.0A,DO-41,T		R315	2001-000290	R-CARBON:10KOHM,5%,1/8W,AA,TP,1.8X3.2MM	
D805	0402-000532	DIODE-RECTIFIER:ERC13-08,800V,1.2A,DO-20		R316	2001-000356	R-CARBON:150KOHM,5%,1/8W,AA,TP,1.8X3.2M	
D807	0402-001111	DIODE-RECTIFIER:1N5397GP,600V,1.5A,DO-20		R401	2008-001031	R-FUSIBLE(S):1.8ohm,5%,1W,AF,TP,3.9x10mm	
D808	1405-000152	VARISTOR:560V,2500A,14x8.5mm,TP		R402	2001-001168	R-CARBON(S):6.8KOHM,5%,1/2W,AA,TP,2.4X6.	
D811	1405-001030	VARISTOR:120V,2500A,14x8.5mm,TP		R403	2001-001108	R-CARBON(S):22KOHM,5%,1/2W,AA,TP,2.4X6.4	
D812	0403-000716	DIODE-ZENER:MTZJ4.7B,4.7V,4.55-4.8V,500m		R404	2001-001045	R-CARBON(S):1.2KOHM,5%,1/2W,AA,TP,2.4X6.	
D813	0402-000534	DIODE-RECTIFIER:RG10V,400V,1.2A,DO-201,T		R405	2003-000664	R-METAL OXIDE(S):33ohm,5%,2W,AF,TP,4x12m	
D815	0403-001322	DIODE-ZENER:MTZJ8.2B,7.78-8.19V,500mW,DO		R406	2001-001122	R-CARBON(S):3.9KOHM,5%,1/2W,AA,TP,2.4X6.	
D816	0402-000132	DIODE-RECTIFIER:1N4004,400V,1A,DO-41,TP		R407	2003-001037	R-METAL OXIDE(S):39ohm,5%,2W,AF,TP,3.9x1	
D820	0402-000132	DIODE-RECTIFIER:1N4004,400V,1A,DO-41,TP		R408	2001-003218	R-CARBON(S):0.18ohm,10%,1/2W,AA,TP,2.4X6	
D821	0402-000546	DIODE-RECTIFIER:TVR10G,400V,1.0A,DO-41,T		R409	2003-002130	R-METAL OXIDE(S):15ohm,5%,2W,AF,TP,3.9x1	
DS01	0402-000132	DIODE-RECTIFIER:1N4004,400V,1A,DO-41,TP		R410	2003-001037	R-METAL OXIDE(S):39ohm,5%,2W,AF,TP,3.9x1	

Loc. No.	Code No.	Description ; Specification	Remark
R411	2001-001088	R-CARBON(S);1KOHM,5%,1/2W,AA,TP,2.4X6.4M	
R412	2001-001122	R-CARBON(S);3.9KOHM,5%,1/2W,AA,TP,2.4X6.	
R413	2001-001121	R-CARBON(S);3.6KOHM,5%,1/2W,AA,TP,2.4X6.	
R414	2003-000592	R-METAL OXIDE(S);22ohm,5%,2W,AF,TP,4x12m	
R415	2004-001390	R-METAL(S);1Kohm,2%,1/2W,AA,TP,2.4x6.4mm	
R416	2004-001397	R-METAL(S);4.7Kohm,1%,1/2W,AA,TP,2.4x6.4	
R418	2001-000429	R-CARBON:1KOHM,5%,1/8W,AA,TP,1.8X3.2MM	
△R419S	2008-001076	R-FUSIBLE(S);1.8ohm,5%,2W,AF,TP,3.9x10mm	
R420	2001-001155	R-CARBON(S);5.6KOHM,5%,1/2W,AA,TP,2.4X6.	
R421	2001-001106	R-CARBON(S);22KOHM,5%,1/2W,AA,TP,2.4X6.	
R422	2001-001108	R-CARBON(S);22KOHM,5%,1/2W,AA,TP,2.4X6.4	
△R423S	2008-001011	R-FUSIBLE(S);0.18ohm,10%,2W,AF,TP,3.9x10	
△R424S	2008-001011	R-FUSIBLE(S);0.18ohm,10%,2W,AF,TP,3.9x10	
△R425S	2008-001019	R-FUSIBLE:0.20HM,10%,1/2W,AA,TP,2.5X6.5M	
R426	2003-000540	R-METAL OXIDE(S);1Kohm,5%,2W,AF,TP,4x12m	
R429	2004-000698	R-METAL:3.3Kohm,1%,1/4W,AA,TP,2.4x6.4m	
R430	2004-002016	R-METAL(S);15Kohm,1%,1/2W,AA,TP,2.5x6.5m	
R431	2004-002019	R-METAL(S);33Kohm,1%,1/2W,AA,TP,2.5x6.5m	
R434	2004-002016	R-METAL(S);15Kohm,1%,1/2W,AA,TP,2.5x6.5m	
△R437S	2008-000282	R-FUSIBLE:0.47ohm,5%,1W,AA,TP,3.9x12mm	
R438	2001-000028	R-CARBON(S);100OHM,5%,1/2W,AA,TP,2.4X6.4	
R439	2001-001178	R-CARBON(S);680OHM,5%,1/2W,AA,TP,2.4X6.4	
R450	2008-001033	R-FUSIBLE(S);10ohm,5%,2W,AF,TP,3.9x10mm	
R451	2004-001390	R-METAL(S);1Kohm,2%,1/2W,AA,TP,2.4x6.4mm	
R452	2001-001081	R-CARBON(S);160KOHM,5%,1/2W,AA,TP,2.4X6.	
R455	2008-001003	R-FUSIBLE(S);5.6ohm,5%,1W,AF,TP,3.9x10mm	
R456	2003-000592	R-METAL OXIDE(S);22ohm,5%,2W,AF,TP,4x12m	
R457	2001-001159	R-CARBON(S);510OHM,5%,1/2W,AA,TP,2.4X6.4	
R458	2003-000592	R-METAL OXIDE(S);22ohm,5%,2W,AF,TP,4x12m	
R802	2001-001055	R-CARBON(S);2.2KOHM,5%,1/2W,AA,TP,2.4X6.	
R804	2001-001159	R-CARBON(S);510OHM,5%,1/2W,AA,TP,2.4X6.4	
R805	2003-001093	R-METAL OXIDE(S);12Kohm,5%,2W,AF,TP,3.9x	
R806	2003-001093	R-METAL OXIDE(S);12Kohm,5%,2W,AF,TP,3.9x	
R807	2003-001093	R-METAL OXIDE(S);12Kohm,5%,2W,AF,TP,3.9x	
R808	2001-001129	R-CARBON(S);330KOHM,5%,1/2W,AA,TP,2.4X6.	
R809	2001-001129	R-CARBON(S);330KOHM,5%,1/2W,AA,TP,2.4X6.	
△R809S	2008-001011	R-FUSIBLE(S);0.18ohm,10%,2W,AF,TP,3.9x10	
R810	2001-001178	R-CARBON(S);680OHM,5%,1/2W,AA,TP,2.4X6.4	
R811	2001-000066	R-CARBON(S);10KOHM,5%,1/2W,AA,TP,2.4X6.4	
R812	2009-000017	R-METAL PLATE:0.1ohm,10%,5W,CL,TP,5x14x1	
R813	2001-001097	R-CARBON(S);2.4KOHM,5%,1/2W,AA,TP,2.4X6.	
R814	2001-001170	R-CARBON(S);6.8OHM,5%,1/2W,AA,TP,2.4X6.4	
R817	2001-001144	R-CARBON(S);4.7KOHM,5%,1/2W,AA,TP,2.4X6.	
R818	2001-001045	R-CARBON(S);1.2KOHM,5%,1/2W,AA,TP,2.4X6.	
R819	2001-000429	R-CARBON:1KOHM,5%,1/8W,AA,TP,1.8X3.2MM	
R821	2001-000429	R-CARBON:1KOHM,5%,1/8W,AA,TP,1.8X3.2MM	
R823	2001-001086	R-CARBON(S);18KOHM,5%,1/2W,AA,TP,2.4X6.4	
R824	2001-000085	R-CARBON(S);100KOHM,5%,1/2W,AA,TP,2.4X6.	
R826	2001-001088	R-CARBON(S);1KOHM,5%,1/2W,AA,TP,2.4X6.4M	
R827	2001-001097	R-CARBON(S);2.4KOHM,5%,1/2W,AA,TP,2.4X6.	
R830	2001-001072	R-CARBON(S);120HM,5%,1/2W,AA,TP,2.4X6.4M	
R831	2001-000028	R-CARBON(S);100OHM,5%,1/2W,AA,TP,2.4X6.4	
R832	2001-001088	R-CARBON(S);1KOHM,5%,1/2W,AA,TP,2.4X6.4M	
R833	2001-001070	R-CARBON(S);120OHM,5%,1/2W,AA,TP,2.4X6.4	
R834	2003-001090	R-METAL OXIDE(S);10Kohm,5%,2W,AF,TP,4x12	
R835	2001-000429	R-CARBON:1KOHM,5%,1/8W,AA,TP,1.8X3.2MM	
R836	2008-001050	R-FUSIBLE:22ohm,5%,2W,AF,TP,3.9x10mm	
△RP801S	2002-001010	R-COMPOSITION:1.8Mohm,5%,1/2W,AA,TP,3.7x	
RS03	2003-001038	R-METAL OXIDE(S);4.7ohm,5%,2W,AF,TP,3.9x	
RS04	2003-001038	R-METAL OXIDE(S);4.7ohm,5%,2W,AF,TP,3.9x	
△RY801S	2002-001012	R-COMPOSITION:8.2Mohm,5%,1/2W,AA,TP,3.7x	
△VP801S	1405-000152	VARISTOR:560V,2500A,14x8.5mm,TP	
△VX801S	1405-000152	VARISTOR:560V,2500A,14x8.5mm,TP	

ASSY-PCB,A/V SIDE

* AA95-00744BASSY-PCB,A/V SIDE-.TSK3290FX/XAA,KS4A,N

C701	2202-000231	C-CERAMIC,MLC-AXIAL:330pf,10%,50V,Y5P,TP	
C702	2202-000231	C-CERAMIC,MLC-AXIAL:330pf,10%,50V,Y5P,TP	
C705	2202-000121	C-CERAMIC,MLC-AXIAL:100pf,10%,50V,Y5P,TP	
C706	2202-000263	C-CERAMIC,MLC-AXIAL:470pf,10%,50V,Y5P,TP	
C707	2202-000263	C-CERAMIC,MLC-AXIAL:470pf,10%,50V,Y5P,TP	
C708	2202-000121	C-CERAMIC,MLC-AXIAL:100pf,10%,50V,Y5P,TP	
CN701A	AA39-20159B	LEAD CONNECTOR-ASSY:-----,YB	

Loc. No.	Code No.	Description ; Specification	Remark
JA701A	3722-001031	JACK-RCA:3P,3.6MM,#18,AU	
JA702A	3722-001163	JACK-VHS:4P,12mm,AU,BLK,N	
JA703A	3722-000143	JACK-PHONE:1P(VER),3.4mm,AG,BLK,NO	
L706	2901-000297	FILTER-EMI ON BOARD:-3A,-,-,3.5x5,TP-	
L707	2901-000297	FILTER-EMI ON BOARD:-3A,-,-,3.5x5,TP-	
L708	2901-000297	FILTER-EMI ON BOARD:-3A,-,-,3.5x5,TP-	
L709	2901-000297	FILTER-EMI ON BOARD:-3A,-,-,3.5x5,TP-	
R706	2001-000947	R-CARBON:7.5KOHM,5%,1/8W,AA,TP,1.8X3.2M	
R707	2001-000522	R-CARBON:22KOHM,5%,1/8W,AA,TP,1.8X3.2MM	
R708	2001-000273	R-CARBON:100KOHM,5%,1/8W,AA,TP,1.8X3.2M	
R709	2001-000273	R-CARBON:100KOHM,5%,1/8W,AA,TP,1.8X3.2M	
R710	2001-000490	R-CARBON:200OHM,5%,1/8W,AA,TP,1.8X3.2MM	

ASSY-PCB,NTSC MICOM

* AA95-00745AASSY-PCB,NTSC MICOM:-,TSK2790FX/XAA,KS4A

C901	2202-000121	C-CERAMIC,MLC-AXIAL:100pf,10%,50V,Y5P,TP	
C902	2301-000111	C-FILM,PEF:1.8nf,5%,50V,TP,6.5x3.0x5.5mm	
C903	2401-002144	C-AL:47uf,20%,16V,GP,TP,5x11,5	
C904	2305-000665	C-FILM,MPEF:100nf,5%,63V,TP,7.5x4.0x5.0m	
C905	2202-000796	C-CERAMIC,MLC-AXIAL:1NF,10%,50V,Y5P,TP,3	
C906	2202-000796	C-CERAMIC,MLC-AXIAL:1NF,10%,50V,Y5P,TP,3	
C907	2401-001840	C-AL:100uf,20%,16V,GP,TP,6.3x11,5	
C908	2305-000665	C-FILM,MPEF:100nf,5%,63V,TP,7.5x4.0x5.0m	
C910	2201-000193	C-CERAMIC,DISC:0.01nf,0.25pf,50V,NP0,TP	
C911	2201-000573	C-CERAMIC,DISC:0.047nf,5%,50V,NP0,TP,5x3	
C912	2401-001840	C-AL:100uf,20%,16V,GP,TP,6.3x11,5	
C913	2305-000665	C-FILM,MPEF:100nf,5%,63V,TP,7.5x4.0x5.0m	
C914	2305-000665	C-FILM,MPEF:100nf,5%,63V,TP,7.5x4.0x5.0m	
C915	2401-000027	C-AL:4.7uf,20%,50V,GP,TP,5x11,5	
C916	2401-001840	C-AL:100uf,20%,16V,GP,TP,6.3x11,5	
C917	2305-000665	C-FILM,MPEF:100nf,5%,63V,TP,7.5x4.0x5.0m	
CN901	3711-003215	CONNECTOR-HEADER:NOWALL,18P,1R,2.5MM,ANG	
CN902	3711-003543	CONNECTOR-HEADER:NOWALL,16P,1R,2.54MM,AN	
CN903	AA61-10068A	BRACKET-PCB:-,M2160,SPT,TO,3,-,-,-	
CN904	AA61-10068A	BRACKET-PCB:-,M2160,SPT,TO,3,-,-,-	
D901	0401-000005	DIODE-SWITCHING:1N4148,100V,200MA,DO-35,	
D903	0401-000005	DIODE-SWITCHING:1N4148,100V,200MA,DO-35,	
DZ901	0403-000508	DIODE-ZENER:MTZJ5.6B,5.6V,5.45-5.73V,500	
DZ902	0403-000508	DIODE-ZENER:MTZJ5.6B,5.6V,5.45-5.73V,500	
DZ903	0403-000508	DIODE-ZENER:MTZJ5.6B,5.6V,5.45-5.73V,500	
DZ904	0403-000508	DIODE-ZENER:MTZJ5.6B,5.6V,5.45-5.73V,500	
DZ905	0403-000508	DIODE-ZENER:MTZJ5.6B,5.6V,5.45-5.73V,500	
DZ906	0403-000508	DIODE-ZENER:MTZJ5.6B,5.6V,5.45-5.73V,500	
△IC901	AA13-00012A	IC-MCU:Z9037112PSC-OTP,OTP,ST,64kword	
△IC902	1203-000515	IC-VOL. DETECTOR:7042,TO-92,3P,177MIL,PL	
L901	2901-000297	FILTER-EMI ON BOARD:-3A,-,-,3.5x5,TP-	
L902	2901-000297	FILTER-EMI ON BOARD:-3A,-,-,3.5x5,TP-	
L903	2701-000114	INDUCTOR-AXIAL:10uH,10%,2.5x3.4mm	
L906	2701-000114	INDUCTOR-AXIAL:10uH,10%,2.5x3.4mm	
L908	2901-000297	FILTER-EMI ON BOARD:-3A,-,-,3.5x5,TP-	
Q901	0501-000389	TR-SMALL SIGNAL:KSC815,NPN,400mW,TO-92,T	
Q902	0501-000389	TR-SMALL SIGNAL:KSC815,NPN,400mW,TO-92,T	
Q903	0501-000283	TR-SMALL SIGNAL:KSA539,PNP,400mW,TO-92,T	
Q904	0501-000389	TR-SMALL SIGNAL:KSC815,NPN,400mW,TO-92,T	
R901	2001-000734	R-CARBON:4.7KOHM,5%,1/8W,AA,TP,1.8X3.2M	
R902	2001-000734	R-CARBON:4.7KOHM,5%,1/8W,AA,TP,1.8X3.2M	
R903	2001-000734	R-CARBON:4.7KOHM,5%,1/8W,AA,TP,1.8X3.2M	
R905	2001-000780	R-CARBON:470OHM,5%,1/8W,AA,TP,1.8X3.2MM	
R906	2001-000290	R-CARBON:10KOHM,5%,1/8W,AA,TP,1.8X3.2MM	
R907	2001-000734	R-CARBON:4.7KOHM,5%,1/8W,AA,TP,1.8X3.2M	
R908	2001-000290	R-CARBON:10KOHM,5%,1/8W,AA,TP,1.8X3.2MM	
R909	2001-000786	R-CARBON:47KOHM,5%,1/8W,AA,TP,1.8X3.2MM	
R910	2001-000281	R-CARBON:100OHM,5%,1/8W,AA,TP,1.8X3.2MM	
R911	2001-000281	R-CARBON:100OHM,5%,1/8W,AA,TP,1.8X3.2MM	
R912	2001-000947	R-CARBON:7.5KOHM,5%,1/8W,AA,TP,1.8X3.2M	
R913	2001-000947	R-CARBON:7.5KOHM,5%,1/8W,AA,TP,1.8X3.2M	
R914	2001-000734	R-CARBON:4.7KOHM,5%,1/8W,AA,TP,1.8X3.2M	
R915	2001-000241	R-CARBON:1.5KOHM,5%,1/8W,AA,TP,1.8X3.2M	
R916	2001-000290	R-CARBON:10KOHM,5%,1/8W,AA,TP,1.8X3.2MM	
R917	2001-000281	R-CARBON:100OHM,5%,1/8W,AA,TP,1.8X3.2MM	
R918	2001-000241	R-CARBON:1.5KOHM,5%,1/8W,AA,TP,1.8X3.2M	
R919	2001-000290	R-CARBON:10KOHM,5%,1/8W,AA,TP,1.8X3.2MM	
R920	2001-000780	R-CARBON:470OHM,5%,1/8W,AA,TP,1.8X3.2MM	

Loc. No.	Code No.	Description ; Specification	Remark
R921	2001-000290	R-CARBON:10KOHM,5%,1/8W,AA,TP,1.8X3.2MM	
R922	2001-000241	R-CARBON:1.5KOHM,5%,1/8W,AA,TP,1.8X3.2M	
R923	2001-000734	R-CARBON:4.7KOHM,5%,1/8W,AA,TP,1.8X3.2M	
R924	2001-000734	R-CARBON:4.7KOHM,5%,1/8W,AA,TP,1.8X3.2M	
R925	2001-000734	R-CARBON:4.7KOHM,5%,1/8W,AA,TP,1.8X3.2M	
R926	2001-000577	R-CARBON:2KOHM,5%,1/8W,AA,TP,1.8X3.2MM	
R927	2001-000577	R-CARBON:2KOHM,5%,1/8W,AA,TP,1.8X3.2MM	
R928	2001-000577	R-CARBON:2KOHM,5%,1/8W,AA,TP,1.8X3.2MM	
R930	2001-000429	R-CARBON:1KOHM,5%,1/8W,AA,TP,1.8X3.2MM	
R931	2001-000591	R-CARBON:3.3KOHM,5%,1/8W,AA,TP,1.8X3.2M	
R932	2001-000290	R-CARBON:10KOHM,5%,1/8W,AA,TP,1.8X3.2MM	
R933	2001-000591	R-CARBON:3.3KOHM,5%,1/8W,AA,TP,1.8X3.2M	
R934	2001-000429	R-CARBON:1KOHM,5%,1/8W,AA,TP,1.8X3.2MM	
R935	2001-000591	R-CARBON:3.3KOHM,5%,1/8W,AA,TP,1.8X3.2M	
R936	2001-000290	R-CARBON:10KOHM,5%,1/8W,AA,TP,1.8X3.2MM	
R937	2001-000281	R-CARBON:100OHM,5%,1/8W,AA,TP,1.8X3.2MM	
R938	2001-000281	R-CARBON:100OHM,5%,1/8W,AA,TP,1.8X3.2MM	
R939	2001-000449	R-CARBON:2.2KOHM,5%,1/8W,AA,TP,1.8X3.2M	
R940	2001-000449	R-CARBON:2.2KOHM,5%,1/8W,AA,TP,1.8X3.2M	
R941	2001-000429	R-CARBON:1KOHM,5%,1/8W,AA,TP,1.8X3.2MM	
R942	2001-000734	R-CARBON:4.7KOHM,5%,1/8W,AA,TP,1.8X3.2M	
R943	2001-001062	R-CARBON(S):10MOHM,5%,1/2W,AA,TP,2.4X6.4	
R944	2001-000864	R-CARBON:56KOHM,5%,1/8W,AA,TP,1.8X3.2MM	
R945	2001-000734	R-CARBON:4.7KOHM,5%,1/8W,AA,TP,1.8X3.2M	
R946	2001-000281	R-CARBON:100OHM,5%,1/8W,AA,TP,1.8X3.2MM	
R947	2001-000734	R-CARBON:4.7KOHM,5%,1/8W,AA,TP,1.8X3.2M	
R948	2001-000290	R-CARBON:10KOHM,5%,1/8W,AA,TP,1.8X3.2MM	
R949	2001-000780	R-CARBON:470OHM,5%,1/8W,AA,TP,1.8X3.2MM	
R950	2001-000429	R-CARBON:1KOHM,5%,1/8W,AA,TP,1.8X3.2MM	
R952	2001-000429	R-CARBON:1KOHM,5%,1/8W,AA,TP,1.8X3.2MM	
R953	2001-000429	R-CARBON:1KOHM,5%,1/8W,AA,TP,1.8X3.2MM	
R954	2001-000780	R-CARBON:470OHM,5%,1/8W,AA,TP,1.8X3.2MM	
R955	2001-000411	R-CARBON:18KOHM,5%,1/8W,AA,TP,1.8X3.2MM	
R956	2001-000290	R-CARBON:10KOHM,5%,1/8W,AA,TP,1.8X3.2MM	
R959	2001-000429	R-CARBON:1KOHM,5%,1/8W,AA,TP,1.8X3.2MM	
R960	2001-000281	R-CARBON:100OHM,5%,1/8W,AA,TP,1.8X3.2MM	
R961	2001-000008	R-CARBON:15KOHM,5%,1/8W,AA,TP,1.8X3.2MM	
R962	2001-000832	R-CARBON:510OHM,5%,1/8W,AA,TP,1.8X3.2MM	
X901	2801-003224	CRYSTAL-UNIT:32.768KHZ,20PPM,28-AA,Y,12.5	

ASSY-POWER,CORD

* AA96-20129BASSY-POWER,CORD:-,EP2/YES,H/C400,ME301P,

AA39-10007Y POWER-CORD:-,EP2/YES,SPT-2 18AWGx2C,2.4m

ASSY-PCB,DOLBY

* AA95-00758AASSY-PCB,DOLBY:-,WS32W8HD,KS4A,PAL,-,-

CN601A	3711-002704	CONNECTOR-HEADER:NOWALL,6P,1R,2.5mm,ANGL	
CN602A	3711-002707	CONNECTOR-HEADER:NOWALL,9P,1R,2.5mm,ANGL	
C601	2203-000260	C-CERAMIC,CHIP:10nF,10%,50V,X7R,TP,2012	
C602	2401-000287	C-AL:100uF,20%,16V,WT,TP,6.3x11.5	
C603	2203-000938	C-CERAMIC,CHIP:0.47nF,5%,50V,NPO,TP,2012	
C604	2203-000142	C-CERAMIC,CHIP:1.5nF,10%,50V,X7R,TP,2012	
C605	2401-002235	C-AL:10uF,20%,16V,GP,TP,5x11mm,5mm	
C606	2203-000218	C-CERAMIC,CHIP:100nF,20%,50V,Y5V,TP,2012	
C607	2401-002235	C-AL:10uF,20%,16V,GP,TP,5x11mm,5mm	
C608	2401-000287	C-AL:100uF,20%,16V,WT,TP,6.3x11.5	
C609	2203-000938	C-CERAMIC,CHIP:0.47nF,5%,50V,NPO,TP,2012	
C610	2203-000142	C-CERAMIC,CHIP:1.5nF,10%,50V,X7R,TP,2012	
C611	2401-002235	C-AL:10uF,20%,16V,GP,TP,5x11mm,5mm	
C612	2203-000444	C-CERAMIC,CHIP:1nF,10%,50V,X7R,TP,2012,-	
C613	2305-000412	C-FILM,MPEF:470nF,5%,63V,TP,-,5mm	
C614	2203-000142	C-CERAMIC,CHIP:1.5nF,10%,50V,X7R,TP,2012	
C615	2203-000444	C-CERAMIC,CHIP:1nF,10%,50V,X7R,TP,2012,-	
C616	2305-000412	C-FILM,MPEF:470nF,5%,63V,TP,-,5mm	
C617	2203-000142	C-CERAMIC,CHIP:1.5nF,10%,50V,X7R,TP,2012	
C618	2203-002442	C-CERAMIC,CHIP:330nF,+80-20%,25V,Y5V,TP	
C619	2203-000142	C-CERAMIC,CHIP:1.5nF,10%,50V,X7R,TP,2012	
C620	2203-000938	C-CERAMIC,CHIP:0.47nF,5%,50V,NPO,TP,2012	
C621	2401-000287	C-AL:100uF,20%,16V,WT,TP,6.3x11.5	

Loc. No.	Code No.	Description ; Specification	Remark
C622	2203-000595	C-CERAMIC,CHIP:0.22nF,5%,50V,NPO,TP,2012	
C623	2401-002235	C-AL:10uF,20%,16V,GP,TP,5x11mm,5mm	
C624	2401-002235	C-AL:10uF,20%,16V,GP,TP,5x11mm,5mm	
C625	2401-000287	C-AL:100uF,20%,16V,WT,TP,6.3x11.5	
C626	2203-000218	C-CERAMIC,CHIP:100nF,20%,50V,Y5V,TP,2012	
C627	2401-002235	C-AL:10uF,20%,16V,GP,TP,5x11mm,5mm	
C628	2203-000218	C-CERAMIC,CHIP:100nF,20%,50V,Y5V,TP,2012	
△ IC601	1204-001198	IC-DECODER:DPL3519A-A2,PLCC,68P,-,PLASTI	
△ IC602	1201-000541	IC-OP AMP:062,SOP,8P,153MIL,DUAL,6V/mV,P	
L601	2901-000297	FILTER-EMI ON BOARD:-,3A,-,-,3.5x5,TP,-	
L602	2901-000297	FILTER-EMI ON BOARD:-,3A,-,-,3.5x5,TP,-	
L603	2901-000297	FILTER-EMI ON BOARD:-,3A,-,-,3.5x5,TP,-	
L604	2901-000297	FILTER-EMI ON BOARD:-,3A,-,-,3.5x5,TP,-	
R601	2007-000468	R-CHIP:1KOHM,5%,1/10W,DA,TP,2012	
R602	2007-000290	R-CHIP:100OHM,5%,1/10W,DA,TP,2012	
R603	2007-000290	R-CHIP:100OHM,5%,1/10W,DA,TP,2012	
R604	2007-000290	R-CHIP:100OHM,5%,1/10W,DA,TP,2012	
R605	2007-000290	R-CHIP:100OHM,5%,1/10W,DA,TP,2012	
R606	2007-000290	R-CHIP:100OHM,5%,1/10W,DA,TP,2012	
R607	2007-000290	R-CHIP:100OHM,5%,1/10W,DA,TP,2012	
R608	2007-000290	R-CHIP:100OHM,5%,1/10W,DA,TP,2012	
R609	2007-000872	R-CHIP:4.7KOHM,5%,1/10W,DA,TP,2012	
R610	2007-000872	R-CHIP:4.7KOHM,5%,1/10W,DA,TP,2012	
R611	2007-001243	R-CHIP:91KOHM,5%,1/10W,DA,TP,2012	
R612	2007-000282	R-CHIP:100KOHM,5%,1/10W,DA,TP,2012	
R613	2007-001243	R-CHIP:91KOHM,5%,1/10W,DA,TP,2012	
R614	2007-000282	R-CHIP:100KOHM,5%,1/10W,DA,TP,2012	
R615	2007-000029	R-CHIP:OOHM,5%,1/10W,DA,TP,2012	
R617	2007-000029	R-CHIP:OOHM,5%,1/10W,DA,TP,2012	
	AA41-00162B	PCB-DOLBY:WS32WHD,FR-4,2L,B,1.6T,180x245	

REMOCON

* AA59-00147BREMOCON:-,TM63,D4,50,L/GRAY,S/S,E/X,-,

AA94-02805AASSY CRT:AA03-00208A,+380mG,W76LPF350X9
AA03-00208A CRT COLOR:W76LPF350X9(C)-,32WDDF,0.7mm**ASSY-PCB,3D COBM**

* AA95-00605AASSY-PCB,3D COBM:-,CT-29A7DR,KS4A,-,-,-

CON01	3711-002707	CONNECTOR-HEADER:NOWALL,9P,1R,2.5mm,ANGL	
CON02	3711-002703	CONNECTOR-HEADER:NOWALL,5P,1R,2.5mm,ANGL	
	2801-000199	CRYSTAL-UNIT:20MHz,50ppm,28-AAA,16pF,50o	
CD10	2401-001496	C-AL:47uF,20%,16V,GP,TP,5x7.5	
CD11	2203-000218	C-CERAMIC,CHIP:100nF,20%,50V,Y5V,TP,2012	
CD12	2401-002464	C-AL:47uF,20%,16V,BP,TP,8x11.5,5	
CD18	2401-001914	C-AL:1uF,20%,50V,BP,TP,5x11.5	
CD20	2203-000218	C-CERAMIC,CHIP:100nF,20%,50V,Y5V,TP,2012	
CD21	2203-000218	C-CERAMIC,CHIP:100nF,20%,50V,Y5V,TP,2012	
CD22	2203-001035	C-CERAMIC,CHIP:5.6nF,10%,50V,X7R,TP,2012	
CD23	2401-000598	C-AL:1uF,20%,50V,GP,TP,4x7.5	
CD24	2401-000455	C-AL:10uF,20%,35V,GP,TP,4x7mm,5mm	
CD40	2301-000111	C-FILM,PEF:1.8nF,5%,50V,TP,6.5x3.0x5.5mm	
CD41	2203-000218	C-CERAMIC,CHIP:100nF,20%,50V,Y5V,TP,2012	
CD42	2203-000218	C-CERAMIC,CHIP:100nF,20%,50V,Y5V,TP,2012	
CD43	2203-000218	C-CERAMIC,CHIP:100nF,20%,50V,Y5V,TP,2012	
CD44	2203-000218	C-CERAMIC,CHIP:100nF,20%,50V,Y5V,TP,2012	
CD45	2401-000455	C-AL:10uF,20%,35V,GP,TP,4x7mm,5mm	
CD46	2203-000218	C-CERAMIC,CHIP:100nF,20%,50V,Y5V,TP,2012	
CD47	2401-000455	C-AL:10uF,20%,35V,GP,TP,4x7mm,5mm	
CD50	2203-000218	C-CERAMIC,CHIP:100nF,20%,50V,Y5V,TP,2012	
CD51	2203-000218	C-CERAMIC,CHIP:100nF,20%,50V,Y5V,TP,2012	
CD52	2203-000218	C-CERAMIC,CHIP:100nF,20%,50V,Y5V,TP,2012	
CD53	2203-000218	C-CERAMIC,CHIP:100nF,20%,50V,Y5V,TP,2012	
CD54	2203-000218	C-CERAMIC,CHIP:100nF,20%,50V,Y5V,TP,2012	
CD55	2203-000218	C-CERAMIC,CHIP:100nF,20%,50V,Y5V,TP,2012	
CD56	2203-000218	C-CERAMIC,CHIP:100nF,20%,50V,Y5V,TP,2012	
CD57	2401-001496	C-AL:47uF,20%,16V,GP,TP,5x7.5	
CD58	2203-000218	C-CERAMIC,CHIP:100nF,20%,50V,Y5V,TP,2012	
CD59	2401-001496	C-AL:47uF,20%,16V,GP,TP,5x7.5	
CD60	2401-001496	C-AL:47uF,20%,16V,GP,TP,5x7.5	

Loc. No.	Code No.	Description ; Specification	Remark	Loc. No.	Code No.	Description ; Specification	Remark
CD62	2203-000218	C-CERAMIC,CHIP:100nF,20%,50V,Y5V,TP,2012		RD18	2007-000290	R-CHIP:1000HM,5%,1/10W,DA,TP,2012	
CD63	2203-000218	C-CERAMIC,CHIP:100nF,20%,50V,Y5V,TP,2012		RD19	2007-000030	R-CHIP:5600HM,5%,1/10W,DA,TP,2012	
CD64	2401-001496	C-AL:47uF,20%,16V,GP,TP,5x7,5		RD20	2007-001092	R-CHIP:6200HM,5%,1/10W,DA,TP,2012	
CD66	2401-001496	C-AL:47uF,20%,16V,GP,TP,5x7,5		RD21	2007-000572	R-CHIP:2200HM,5%,1/10W,DA,TP,2012	
CD67	2203-000218	C-CERAMIC,CHIP:100nF,20%,50V,Y5V,TP,2012		RD22	2007-000468	R-CHIP:1KOHM,5%,1/10W,DA,TP,2012	
CD68	2401-001496	C-AL:47uF,20%,16V,GP,TP,5x7,5		RD23	2007-000493	R-CHIP:2.2KOHM,5%,1/10W,DA,TP,2012	
CD69	2203-000218	C-CERAMIC,CHIP:100nF,20%,50V,Y5V,TP,2012		RD24	2007-000941	R-CHIP:47KOHM,5%,1/10W,DA,TP,2012	
CD71	2401-001496	C-AL:47uF,20%,16V,GP,TP,5x7,5		RD25	2007-000565	R-CHIP:220KOHM,5%,1/10W,DA,TP,2012	
CD72	2203-000218	C-CERAMIC,CHIP:100nF,20%,50V,Y5V,TP,2012		RD26	2007-000931	R-CHIP:4700HM,5%,1/10W,DA,TP,2012	
CD74	2203-000218	C-CERAMIC,CHIP:100nF,20%,50V,Y5V,TP,2012		RD27	2007-000872	R-CHIP:4.7KOHM,5%,1/10W,DA,TP,2012	
CD75	2203-000634	C-CERAMIC,CHIP:0.022nF,5%,50V,NPO,TP,201		RD37	2007-001092	R-CHIP:6200HM,5%,1/10W,DA,TP,2012	
CD80	2203-000353	C-CERAMIC,CHIP:0.15nF,10%,50V,NPO,TP,201		RD38	2007-000290	R-CHIP:1000HM,5%,1/10W,DA,TP,2012	
CD81	2203-000218	C-CERAMIC,CHIP:100nF,20%,50V,Y5V,TP,2012		RD39	2007-000468	R-CHIP:1KOHM,5%,1/10W,DA,TP,2012	
CD84	2203-000218	C-CERAMIC,CHIP:100nF,20%,50V,Y5V,TP,2012		RD41	2007-000297	R-CHIP:10KOHM,1%,1/10W,DA,TP,2012	
CD85	2203-000839	C-CERAMIC,CHIP:0.39nF,5%,50V,NPO,TP,2012		RD43	2007-000868	R-CHIP:4.7KOHM,1%,1/10W,DA,TP,2012	
CD86	2203-000218	C-CERAMIC,CHIP:100nF,20%,50V,Y5V,TP,2012		RD50	2007-000290	R-CHIP:1000HM,5%,1/10W,DA,TP,2012	
CD87	2203-000218	C-CERAMIC,CHIP:100nF,20%,50V,Y5V,TP,2012		RD51	2007-000468	R-CHIP:1KOHM,5%,1/10W,DA,TP,2012	
CD88	2203-000634	C-CERAMIC,CHIP:0.022nF,5%,50V,NPO,TP,201		RD59	2007-000282	R-CHIP:100KOHM,5%,1/10W,DA,TP,2012	
CD89	2203-000634	C-CERAMIC,CHIP:0.022nF,5%,50V,NPO,TP,201		RD62	2007-000308	R-CHIP:100HM,5%,1/10W,DA,TP,2012	
CD90	2203-000218	C-CERAMIC,CHIP:100nF,20%,50V,Y5V,TP,2012		RD63	2007-000493	R-CHIP:2.2KOHM,5%,1/10W,DA,TP,2012	
CD91	2203-000218	C-CERAMIC,CHIP:100nF,20%,50V,Y5V,TP,2012		RD64	2007-000468	R-CHIP:1KOHM,5%,1/10W,DA,TP,2012	
DD01	0403-001016	DIODE-ZENER:RLZ6.2B,6.2V,5.96-6.27V,400m		RD65	2007-000468	R-CHIP:1KOHM,5%,1/10W,DA,TP,2012	
DD02	0403-001016	DIODE-ZENER:RLZ6.2B,6.2V,5.96-6.27V,400m		RD66	2007-000738	R-CHIP:30KOHM,5%,1/10W,DA,TP,2012	
DD03	0401-000133	DIODE-SWITCHING:RLS4148,100V,200mA,SOD-8		RD67	2007-000710	R-CHIP:3.9KOHM,5%,1/10W,DA,TP,2012	
FD00	2909-001051	FILTER-LC:6MHz,6MHz,0.8dB,TP,5dB/6MHz,30		RD68	2007-000468	R-CHIP:1KOHM,5%,1/10W,DA,TP,2012	
FD01	2909-001051	FILTER-LC:6MHz,6MHz,0.8dB,TP,5dB/6MHz,30		RD69	2007-000931	R-CHIP:4700HM,5%,1/10W,DA,TP,2012	
FD02	2909-001052	FILTER-LC:3.58MHz,3MHz,1.5dB,TP,11dB/1.0		RD70	2007-000931	R-CHIP:4700HM,5%,1/10W,DA,TP,2012	
FD03	2909-001051	FILTER-LC:6MHz,6MHz,0.8dB,TP,5dB/6MHz,30		RD71	2007-000468	R-CHIP:1KOHM,5%,1/10W,DA,TP,2012	
△IC01	1204-001556	IC-SEPARATOR:UPD64082GF,QFP,100P,-PLAST		RD72	2007-000931	R-CHIP:4700HM,5%,1/10W,DA,TP,2012	
△IC02	1105-001172	IC-DRAM:416C1204,1Mx16BIT,TSOP,44P,400		RD73	2007-000290	R-CHIP:1000HM,5%,1/10W,DA,TP,2012	
△IC04	1203-001419	IC-VOLTAGE REGULATOR:4931,TO-252,3P,6.6x		RD74	2007-000931	R-CHIP:4700HM,5%,1/10W,DA,TP,2012	
JD01	2007-000029	R-CHIP:00HM,5%,1/10W,DA,TP,2012		RD75	2007-000290	R-CHIP:1000HM,5%,1/10W,DA,TP,2012	
JD04	2007-000029	R-CHIP:00HM,5%,1/10W,DA,TP,2012		RD76	2007-000290	R-CHIP:1000HM,5%,1/10W,DA,TP,2012	
LD03	2702-001096	INDUCTOR-RADIAL:33uH,10%,6x4mm		RD77	2007-000290	R-CHIP:1000HM,5%,1/10W,DA,TP,2012	
LD05	2702-001095	INDUCTOR-RADIAL:18uH,10%,6x4mm		RD78	2007-000290	R-CHIP:1000HM,5%,1/10W,DA,TP,2012	
LD06	2702-001095	INDUCTOR-RADIAL:18uH,10%,6x4mm		RD79	2007-000290	R-CHIP:1000HM,5%,1/10W,DA,TP,2012	
LD07	2901-000297	FILTER-EMI ON BOARD:-.3A,-,-,3.5x5,TP-		RD82	2007-000308	R-CHIP:1000HM,5%,1/10W,DA,TP,2012	
LD09	2702-001093	INDUCTOR-RADIAL:4.7uH,10%,6x4mm		RD83	2007-000493	R-CHIP:2.2KOHM,5%,1/10W,DA,TP,2012	
QD10	0501-000344	TR-SMALL SIGNAL:KSC1623-G,NPN,200mW,SOT-		RD84	2007-000030	R-CHIP:5600HM,5%,1/10W,DA,TP,2012	
QD11	0501-000280	TR-SMALL SIGNAL:KSA1182,PNP,150mW,SOT-23		RD85	2007-000981	R-CHIP:5.6KOHM,5%,1/10W,DA,TP,2012	
QD12	0501-000280	TR-SMALL SIGNAL:KSA1182,PNP,150mW,SOT-23		RD86	2007-000931	R-CHIP:4700HM,5%,1/10W,DA,TP,2012	
QD13	0501-000344	TR-SMALL SIGNAL:KSC1623-G,NPN,200mW,SOT-		RD87	2007-000931	R-CHIP:4700HM,5%,1/10W,DA,TP,2012	
QD14	0501-000280	TR-SMALL SIGNAL:KSA1182,PNP,150mW,SOT-23		RD88	2007-000210	R-CHIP:1.1KOHM,5%,1/10W,DA,TP,2012	
QD15	0501-000280	TR-SMALL SIGNAL:KSA1182,PNP,150mW,SOT-23		RD89	2007-000781	R-CHIP:330HM,5%,1/10W,DA,TP,2012	
QD16	0501-000280	TR-SMALL SIGNAL:KSA1182,PNP,150mW,SOT-23		RD90	2007-000290	R-CHIP:1000HM,5%,1/10W,DA,TP,2012	
QD17	0501-000344	TR-SMALL SIGNAL:KSC1623-G,NPN,200mW,SOT-		RD91	2007-000931	R-CHIP:4700HM,5%,1/10W,DA,TP,2012	
QD18	0501-000280	TR-SMALL SIGNAL:KSA1182,PNP,150mW,SOT-23		RD92	2007-000290	R-CHIP:1000HM,5%,1/10W,DA,TP,2012	
QD19	0501-000344	TR-SMALL SIGNAL:KSC1623-G,NPN,200mW,SOT-		RD93	2007-000029	R-CHIP:00HM,5%,1/10W,DA,TP,2012	
QD20	0501-000280	TR-SMALL SIGNAL:KSA1182,PNP,150mW,SOT-23		RD94	2007-000029	R-CHIP:00HM,5%,1/10W,DA,TP,2012	
QD21	0501-000344	TR-SMALL SIGNAL:KSC1623-G,NPN,200mW,SOT-		RD95	2007-000468	R-CHIP:1KOHM,5%,1/10W,DA,TP,2012	
QD22	0501-000280	TR-SMALL SIGNAL:KSA1182,PNP,150mW,SOT-23		RD96	2007-000931	R-CHIP:4700HM,5%,1/10W,DA,TP,2012	
QD23	0501-000344	TR-SMALL SIGNAL:KSC1623-G,NPN,200mW,SOT-		RD97	2007-000931	R-CHIP:4700HM,5%,1/10W,DA,TP,2012	
QD24	0501-000344	TR-SMALL SIGNAL:KSC1623-G,NPN,200mW,SOT-		RD98	2007-000029	R-CHIP:00HM,5%,1/10W,DA,TP,2012	
QD25	0501-000280	TR-SMALL SIGNAL:KSA1182,PNP,150mW,SOT-23					
QD26	0501-000344	TR-SMALL SIGNAL:KSC1623-G,NPN,200mW,SOT-					
QD27	0501-000344	TR-SMALL SIGNAL:KSC1623-G,NPN,200mW,SOT-					
QD28	0501-000280	TR-SMALL SIGNAL:KSA1182,PNP,150mW,SOT-23					
QD40	0501-000344	TR-SMALL SIGNAL:KSC1623-G,NPN,200mW,SOT-					
QD41	0501-000344	TR-SMALL SIGNAL:KSC1623-G,NPN,200mW,SOT-					
RD00	2007-000290	R-CHIP:1000HM,5%,1/10W,DA,TP,2012					
RD01	2007-000290	R-CHIP:1000HM,5%,1/10W,DA,TP,2012		AV+CF	6003-001026	SCREW-TAPTITE:RH,+,B,M4,L15,ZPC(BLK),SWR	
RD02	2007-000030	R-CHIP:5600HM,5%,1/10W,DA,TP,2012		CABBAC	AA63-60002A	SPACER-FELT:FELT,TO.35,BLK,330X15,-,-	
RD03	2007-000290	R-CHIP:1000HM,5%,1/10W,DA,TP,2012		CB+CF	AA60-10050T	SCREW-TAPPING:RH,+,2S,M4,L20,ZPC(BLK),SW	
RD04	2007-000586	R-CHIP:22KOHM,5%,1/10W,DA,TP,2012		CB+TER	AA60-10050T	SCREW-TAPPING:RH,+,2S,M4,L20,ZPC(BLK),SW	
RD05	2007-001141	R-CHIP:7.5KOHM,5%,1/10W,DA,TP,2012		D-COIL	AA65-00002A	CLAMP-D,COIL:EGI DALD-3,-,-,SILICON-TUBE	
RD06	2007-000468	R-CHIP:1KOHM,5%,1/10W,DA,TP,2012		DOME	AA60-10050A	SCREW-ASSY:WPRH,+,M4,L25,SWRCH18A,-,-ZPC	
RD07	2007-000468	R-CHIP:1KOHM,5%,1/10W,DA,TP,2012		PCB	AA64-01291B	INLAY-COVER:D4,PVC-SHEET,TO.4,94 VO,BLK,	
RD08	2007-000030	R-CHIP:5600HM,5%,1/10W,DA,TP,2012		PPS+CB	AA60-10050T	SCREW-TAPPING:RH,+,2S,M4,L20,ZPC(BLK),SW	
RD09	2007-000981	R-CHIP:5.6KOHM,5%,1/10W,DA,TP,2012		TB+RCA	6003-001026	SCREW-TAPTITE:RH,+,B,M4,L15,ZPC(BLK),SWR	
RD10	2007-000290	R-CHIP:1000HM,5%,1/10W,DA,TP,2012			AA64-31332C	CABINET BACK:32W2,-,HIPS,VO,BLK	
RD11	2007-000290	R-CHIP:1000HM,5%,1/10W,DA,TP,2012			AA91-00087B	ASSY HOLDER SPK,-,ABS,HB,GRAY,SV704P,29A	
RD12	2007-000586	R-CHIP:22KOHM,5%,1/10W,DA,TP,2012			AA65-30008A	CLAMP-CORD:PE,HB,BLK,-,-,-	
RD13	2007-001141	R-CHIP:7.5KOHM,5%,1/10W,DA,TP,2012			AA60-20004A	UNT-SQUARE:M8,-,ZPC(YEL),SCM20C,1C	
RD14	2007-000308	R-CHIP:100HM,5%,1/10W,DA,TP,2012			AA64-60421C	INLAY-COVER:-,SEA,PS,TO.3,BLK,-,-	
RD15	2007-000468	R-CHIP:1KOHM,5%,1/10W,DA,TP,2012					
RD16	2007-000030	R-CHIP:5600HM,5%,1/10W,DA,TP,2012					
RD17	2007-000981	R-CHIP:5.6KOHM,5%,1/10W,DA,TP,2012					

ASSY CABINET

* AA90-00064 CASSY CABINET:32W2,TSK3092WFX/XAA

Loc. No.	Code No.	Description ; Specification	Remark
----------	----------	-----------------------------	--------

ASSY CHASSIS PART

* AA90-00066BASSY CHASSIS PART;KS4A,32W2

AA61-20271A HOLDER-CHASSIS;-;CS823V,HIPS,VO,GRY,-

ASSY-HOLDER,SPK

* AA91-00046AASSY-HOLDER,SPK;-;PP,80HM/15W,-;WIDE SPE

ASSY TERMINAL BOARD

* AA91-00323BASSY TERMINAL BOARD;-;HIPS,VO,BLK,KS4A S

C701	2202-000145	C-CERAMIC,MLC-AXIAL:120pf,10%,50V,Y5P,TP
C702	2202-000145	C-CERAMIC,MLC-AXIAL:120pf,10%,50V,Y5P,TP
CN701A	AA39-20055B	LEAD CONNECTOR-ASSY;-;YBNH025-06,67096-0
CN702A	AA39-20069D	LEAD CONNECTOR-ASSY;-;YBNH025-05,67096-0
JA701A	AA63-40258A	TERMINAL-SPEAKER;-;ABS,BLK,4P,4
JA702A	3716-000229	TERMINAL-BLOCK;-;2P,13mm,-;-
JA703A	3722-001439	JACK-RCA;2P,3.5mm,NI,BLK,-
L701	2701-001040	INDUCTOR-AXIAL:10uH,10%,4.5x14mm
L702	2701-001040	INDUCTOR-AXIAL:10uH,10%,4.5x14mm
L703	2701-001040	INDUCTOR-AXIAL:10uH,10%,4.5x14mm
L704	2701-000115	INDUCTOR-AXIAL:10uH,10%,3x7mm
L705	2701-000115	INDUCTOR-AXIAL:10uH,10%,3x7mm
R701	2001-000028	R-CARBON(S):100OHM,5%,1/2W,AA,TP,2.4X6.4
R702	2001-000028	R-CARBON(S):100OHM,5%,1/2W,AA,TP,2.4X6.4
	AA63-00165B	TERMINAL-BOARD,ANT;-;HIPS VO BLK,-;D4,29
	AA41-00167B	PCB-DOLBY JACK;WS32W8HD,FR-1,1L,B,1.6T,2
	AA64-00897D	INLAY BACK;D4,DOLBY SEA,PS SHEET,TO.5,BL

ASSY CABINET FRONT

* AA91-10413FASSY CABINET FRONT;-;TSK3092WF,SV907+DG9

BRK+CF	AA60-10050T	SCREW-TAPPING;RH,+;2S,M4,L20,ZPC(BLK),SW
IND+CF	6003-001019	SCREW-TAPTITE;RH,+;B,M4,L12,ZPC(BLK),SWR
KC+CF	6003-001019	SCREW-TAPTITE;RH,+;B,M4,L12,ZPC(BLK),SWR
KNOPOW	AA61-60003J	SPRING-CS;-;SUS304,0.5,OD6,H12,N7,-;-
	AA64-40516B	WINDOW-REMOCON;-;29A6,-;PC,VO,VIOLET,-
	AA64-40517A	INDICATOR-LED;-;WT322WF,-;ACRYL,-;CLR,-
	AA64-60445Y	INLAY AV;34A7,PS SHEET,-;-;BLK,-;KS4A S
	AA64-70117B	BADGE-BRAND;AL,SS,SILVER,L65,R2000,-;-
	AA64-60446C	INLAY-PC;JACK;29A6,L/GRAY,PS SHEET,TO.5
	AA65-00011C	CLAMP-WIRE;ALL MODEL,NYLON 66,V2,NTR,25M
	AA64-31331D	CABINET FRONT;32W2,S907+D908 SEA KS4A,HI
	AA61-10314A	BRACKET-CRT;-;3756,SECC,T2.0,-;-
	AA64-10792H	KNOB POWER;32W2,ABS,-;G3676,S907+W971 NO
	AA64-10794C	KNOB CONTROL;32W2,ABS,-;G3676,S907+W971,

Loc. No.	Code No.	Description ; Specification	Remark
----------	----------	-----------------------------	--------

ASSY-PCB,CONTROL

* AA95-00603BASSY-PCB,CONTROL;-;WT-32W2DR,KS4A,NTSC,2

CNC01	AA39-20112C	LEAD CONNECTOR-ASSY;-;YBNH025-09,67096-0
DC01	AA96-30005A	ASSY-LED,GUIDE;-;AA61-50107A,DL-2LRG,RED
PA01	AA59-60001U	MODULE-REMOCON;-;ORC-50VF/SR-12V,38KHz,9
SWC05	3404-001145	SWITCH-TACT;12V DC,50mA,160gf,8.4x22.7mm
CC01	2401-002144	C-AL:47uF,20%,16V,GP,TP,5x11,5
RC01	2001-000020	R-CARBON(S):22OHM,5%,1/2W,AA,TP,2.4X6.4M
RC02	2001-001108	R-CARBON(S):22KOHM,5%,1/2W,AA,TP,2.4X6.4
RC03	2001-000387	R-CARBON:16KOHM,5%,1/8W,AA,TP,1.8X3.2MM
RC04	2001-000947	R-CARBON:7.5KOHM,5%,1/8W,AA,TP,1.8X3.2M
RC05	2001-000591	R-CARBON:3.3KOHM,5%,1/8W,AA,TP,1.8X3.2M
RC06	2001-000591	R-CARBON:3.3KOHM,5%,1/8W,AA,TP,1.8X3.2M
RC07	2001-000947	R-CARBON:7.5KOHM,5%,1/8W,AA,TP,1.8X3.2M
RC09	2001-001111	R-CARBON(S):240OHM,5%,1/2W,AA,TP,2.4X6.4
RC10	2001-001111	R-CARBON(S):240OHM,5%,1/2W,AA,TP,2.4X6.4
SWC01	3404-000244	SWITCH-TACT;15V,20mA,90-170gf,7.5x7mm,SP
SWC02	3404-000244	SWITCH-TACT;15V,20mA,90-170gf,7.5x7mm,SP
SWC03	3404-000244	SWITCH-TACT;15V,20mA,90-170gf,7.5x7mm,SP
SWC04	3404-000244	SWITCH-TACT;15V,20mA,90-170gf,7.5x7mm,SP
SWC06	3404-000244	SWITCH-TACT;15V,20mA,90-170gf,7.5x7mm,SP
SWC07	3404-000244	SWITCH-TACT;15V,20mA,90-170gf,7.5x7mm,SP

7-6 TSK3292FX/XAA (TSK3292FX/XAA and TSK3290FX/XAA Dissimilar Parts)

Loc. No.	Code No.	Description ; Specification	Remark	Loc. No.	Code No.	Description ; Specification	Remark
----------	----------	-----------------------------	--------	----------	----------	-----------------------------	--------

ASSY CABINET FRONT

* AA91-00302HASSY CABINET FRONT;- ,3292F KS4A,(SPK)S907P+D908P
SEA,V0,G4309

AA63-00220C GRILLE-SPK,A:34A7,SV907P,HIPS,-,G4309,HB
AA64-00758F CABINET FRONT;TSK3292F(34A7),S907P+D908P SEA,HIPS,V0,G4309

7-7 TSK3292FX/XAC (TSK3292FX/XAC and TSK3290FX/XAA Dissimilar Parts)

Loc. No.	Code No.	Description ; Specification	Remark	Loc. No.	Code No.	Description ; Specification	Remark
----------	----------	-----------------------------	--------	----------	----------	-----------------------------	--------

ASSY PCB MAIN(OPT)

* AA94-02687BASSY PCB MAIN(OPT);TSK3292FX/XAC,KS4A,CANADA,-

CX01 2401-000480 C-AL:10uF,20%,50V,GP,TP,5x11,5
DX03 0401-000005 DIODE-SWITCHING:1N4148,100V,200MA,DO-35,TP
DZD01 0403-000700 DIODE-ZENER:TZP33A,33V,31-35V,1W,DO-41,TP
DZD02 0403-000700 DIODE-ZENER:TZP33A,33V,31-35V,1W,DO-41,TP
OX01 1203-001274 IC-VOL. DETECTOR:7545,TO-92,3P,-,PLASTIC,4.35/4
RU01 2001-000281 R-CARBON:1000HM,5%,1/8W,AA,TP,1.8X3.2MM
RX03 2001-000008 R-CARBON:15KOHM,5%,1/8W,AA,TP,1.8X3.2MM

ASSY CABINET FRONT

* AA91-00302HASSY CABINET FRONT;- ,3292F KS4A,(SPK)S907P+D908P
SEA,V0,G 4309

AA63-00220C GRILLE-SPK,A:34A7,SV907P,HIPS,-,G4309,HB
AA64-00758F CABINET FRONT;TSK3292F(34A7),S907P+D908P
SEA,HIPS,V0,G4309

7-8 TSK3290FX/XAA

Loc. No.	Code No.	Description ; Specification	Remark
ASSY PCB MAIN(OPT)			
* AA94-02701AASSY PCB MAIN(OPT);TSK3290FX/XAA,KS4A,U.			
C670	2401-001840	C-AL:100uF,20%,16V,GP,TP,6.3x11,5	
CJ701A	3722-001426	JACK-RCA;9P,3.4mm,NI,BLK,-	
CJ704A	3722-001427	JACK-RCA;8P,3.4mm,NI,BLK,-	
△ IC603	1201-001026	IC-POWER AMP;7265,ZIP,1P,19.6MIL,DUAL,1	H/SINK
△ IC804	1203-000203	IC-POSI.ADJUST REG.;3050,TO-220,5P,-,PLA	H/SINK
△ IC805	AA96-50382B	ASSY-H/S;-,-,AA62-30180C,SI-3050,-	
ICD603	AA96-50367A	ASSY-H/S;-,-,AA62-30181D,TDA7265,-	
J375	0401-000005	DIODE-SWITCHING;1N4148,100V,200MA,DO-35,	
JVS01	0401-000005	DIODE-SWITCHING;1N4148,100V,200MA,DO-35,	
R215	0401-000005	DIODE-SWITCHING;1N4148,100V,200MA,DO-35,	
CJ702A	3722-001163	JACK-VHS;4P,12mm,AU,BLK,N	
CN501A	3711-003641	CONNECTOR-HEADER;BOX,12P,1R,2.5mm,STRAIG	
CN601	3711-003043	CONNECTOR-HEADER;BOX,4P,1R,2.5mm,STRAIGH	
CN702A	3711-003641	CONNECTOR-HEADER;BOX,12P,1R,2.5mm,STRAIG	
CN803A	3711-003241	CONNECTOR-HEADER;BOX,14P,1R,2.5mm,STRAIG	
CN804A	3711-003241	CONNECTOR-HEADER;BOX,14P,1R,2.5mm,STRAIG	
△ IC601	1204-001594	IC-SOUND PROCESSOR;MSP3440G-B6,SDIP,52P,	
△ IC602	1201-000407	IC-POWER AMP;7050,DIP,8P,-,SINGLE,-,PLAS	
△ IC701	1001-001073	IC-VIDEO SWITCH;TEA6415C,VIDEO SWITCH,DI	
△ IC702	1001-001113	IC-AUDIO SWITCH;TEA6422,SOUND SWITCH,-SD	
△ IC703	1002-001193	IC-A/D&D/A CONVERTER;PCF8591P,8bit,DIP,1	
△ IC801	1203-000165	IC-POSI.ADJUST REG.;78R12,TO-220,3P,-,-,	
△ IC802	1203-000293	IC-POSI.FIXED REG.;7808,TO-220,3P,-,PLAS	H/SINK
△ IC803	1203-000298	IC-POSI.FIXED REG.;7809,TO-220,3P,-,PLAS	H/SINK
△ IC905	1103-001213	IC-EEPROM;24C16,2048x8Bit,SDIP,8P,307MIL	
△ ICD02	1201-000191	IC-OP AMP;4558,DIP,8P,300MIL,DUAL,20V/mV	
△ ICH01	1204-001454	IC-VOLUME CONTROL;TDA7449L,DIP,20P,300MI	
TU01	AA40-00020A	TUNER-F/S;TCLN3181PA09A(S),NTSC,TR,181CH	
TUP01	AA40-00032A	TUNER-F/S;TCPN3081PC09A(S),NTSC,TR,181CH	
C101	2401-001840	C-AL:100uF,20%,16V,GP,TP,6.3x11,5	
C102	2202-002037	C-CERAMIC,MLC-AXIAL;100nF,80-20%,50V,Y5V	
C103	2401-001840	C-AL:100uF,20%,16V,GP,TP,6.3x11,5	
C104	2202-002037	C-CERAMIC,MLC-AXIAL;100nF,80-20%,50V,Y5V	
C105	2202-000127	C-CERAMIC,MLC-AXIAL;10nF,+80-20%,25V,Y5V	
C107	2401-000480	C-AL:10uF,20%,50V,GP,TP,5x11,5	
C108	2305-000665	C-FILM,MPEF;100nF,5%,63V,TP,7.5x4.0x5.0m	
C109	2401-000480	C-AL:10uF,20%,50V,GP,TP,5x11,5	
C110	2305-000665	C-FILM,MPEF;100nF,5%,63V,TP,7.5x4.0x5.0m	
C202	2401-001840	C-AL:100uF,20%,16V,GP,TP,6.3x11,5	
C203	2305-000665	C-FILM,MPEF;100nF,5%,63V,TP,7.5x4.0x5.0m	
C204	2401-001840	C-AL:100uF,20%,16V,GP,TP,6.3x11,5	
C205	2305-000665	C-FILM,MPEF;100nF,5%,63V,TP,7.5x4.0x5.0m	
C601	2401-000480	C-AL:10uF,20%,50V,GP,TP,5x11,5	
C602	2202-000222	C-CERAMIC,MLC-AXIAL;3.3nF,20%,16V,Y5P,TP	
C603	2301-000111	C-FILM,PEF;1.8nF,5%,50V,TP,6.5x3.0x5.5mm	
C604	2401-000480	C-AL:10uF,20%,50V,GP,TP,5x11,5	
C605	2202-000222	C-CERAMIC,MLC-AXIAL;3.3nF,20%,16V,Y5P,TP	
C606	2301-000111	C-FILM,PEF;1.8nF,5%,50V,TP,6.5x3.0x5.5mm	
C607	2401-000480	C-AL:10uF,20%,50V,GP,TP,5x11,5	
C608	2202-000796	C-CERAMIC,MLC-AXIAL;1NF,10%,50V,Y5P,TP,3	
C611	2202-000796	C-CERAMIC,MLC-AXIAL;1NF,10%,50V,Y5P,TP,3	
C616	2401-002235	C-AL:10uF,20%,16V,GP,TP,5x11mm,5mm	
C617	2401-001840	C-AL:100uF,20%,16V,GP,TP,6.3x11,5	
C618	2201-000558	C-CERAMIC,DISC;0.47nF,10%,50V,Y5P,TP,5x3	
C619	2201-000374	C-CERAMIC,DISC;0.22nF,5%,50V,NP0,TP,10.5	
C620	2201-000112	C-CERAMIC,DISC;1.5nF,10%,50V,Y5V,TP,5x3.	
C621	2401-002235	C-AL:10uF,20%,16V,GP,TP,5x11mm,5mm	
C622	2401-001026	C-AL:3.3uF,20%,50V,GP,TP,5X11,5	
C623	2305-000665	C-FILM,MPEF;100nF,5%,63V,TP,7.5x4.0x5.0m	
C624	2401-002235	C-AL:10uF,20%,16V,GP,TP,5x11mm,5mm	
C625	2401-002235	C-AL:10uF,20%,16V,GP,TP,5x11mm,5mm	
C626	2401-002235	C-AL:10uF,20%,16V,GP,TP,5x11mm,5mm	
C627	2202-002037	C-CERAMIC,MLC-AXIAL;100nF,80-20%,50V,Y5V	
C628	2401-002235	C-AL:10uF,20%,16V,GP,TP,5x11mm,5mm	
C629	2401-001840	C-AL:100uF,20%,16V,GP,TP,6.3x11,5	
C630	2201-000558	C-CERAMIC,DISC;0.47nF,10%,50V,Y5P,TP,5x3	
C631	2202-000286	C-CERAMIC,MLC-AXIAL;56pF,5%,50V,SL,TP,1.	

Loc. No.	Code No.	Description ; Specification	Remark
C632	2202-000286	C-CERAMIC,MLC-AXIAL;56pF,5%,50V,SL,TP,1.	
C633	2201-000304	C-CERAMIC,DISC;0.001nF,0.25pF,50V,NP0,TP	
C634	2201-000304	C-CERAMIC,DISC;0.001nF,0.25pF,50V,NP0,TP	
C635	2401-000480	C-AL:10uF,20%,50V,GP,TP,5x11,5	
C636	2401-000480	C-AL:10uF,20%,50V,GP,TP,5x11,5	
C637	2301-000232	C-FILM,PEF;3.3nF,5%,50V,TP,8.1x4.5x13mm,	
C638	2401-001840	C-AL:100uF,20%,16V,GP,TP,6.3x11,5	
C640	2401-001840	C-AL:100uF,20%,16V,GP,TP,6.3x11,5	
C642	2401-001840	C-AL:100uF,20%,16V,GP,TP,6.3x11,5	
C643	2305-000665	C-FILM,MPEF;100nF,5%,63V,TP,7.5x4.0x5.0m	
C644	2401-002458	C-AL:1000uF,20%,35V,GP,TP,16x25,7.5	
C645	2305-000665	C-FILM,MPEF;100nF,5%,63V,TP,7.5x4.0x5.0m	
C646	2305-000665	C-FILM,MPEF;100nF,5%,63V,TP,7.5x4.0x5.0m	
C647	2401-002458	C-AL:1000uF,20%,35V,GP,TP,16x25,7.5	
C648	2401-000027	C-AL:4.7uF,20%,50V,GP,TP,5x11,5	
C649	2202-000183	C-CERAMIC,MLC-AXIAL;2.2NF,20%,16V,Y5R,TP	
C650	2401-000832	C-AL:220uF,20%,25V,GP,TP,8x11,5,5	
C651	2401-000027	C-AL:4.7uF,20%,50V,GP,TP,5x11,5	
C652	2202-000183	C-CERAMIC,MLC-AXIAL;2.2NF,20%,16V,Y5R,TP	
C653	2401-002216	C-AL:2200uF,20%,35V,GP,TP,16x25,7.5	
C654	2201-000119	C-CERAMIC,DISC;100nF,+80-20%,50V,Y5V,TP,	
C655	2401-001840	C-AL:100uF,20%,16V,GP,TP,6.3x11,5	
C656	2401-000603	C-AL:1uF,20%,50V,GP,TP,5x11,5	
C657	2401-000962	C-AL:22uF,20%,50V,GP,TP,5x11,5	
C659	2401-000480	C-AL:10uF,20%,50V,GP,TP,5x11,5	
C660	2301-000232	C-FILM,PEF;3.3nF,5%,50V,TP,8.1x4.5x13mm,	
C661	2401-001840	C-AL:100uF,20%,16V,GP,TP,6.3x11,5	
C663	2305-000665	C-FILM,MPEF;100nF,5%,63V,TP,7.5x4.0x5.0m	
C664	2401-001840	C-AL:100uF,20%,16V,GP,TP,6.3x11,5	
C701	2401-002235	C-AL:10uF,20%,16V,GP,TP,5x11mm,5mm	
C702	2401-002235	C-AL:10uF,20%,16V,GP,TP,5x11mm,5mm	
C703	2401-002235	C-AL:10uF,20%,16V,GP,TP,5x11mm,5mm	
C704	2401-002235	C-AL:10uF,20%,16V,GP,TP,5x11mm,5mm	
C705	2401-002235	C-AL:10uF,20%,16V,GP,TP,5x11mm,5mm	
C706	2401-002235	C-AL:10uF,20%,16V,GP,TP,5x11mm,5mm	
C708	2401-002235	C-AL:10uF,20%,16V,GP,TP,5x11mm,5mm	
C709	2401-002235	C-AL:10uF,20%,16V,GP,TP,5x11mm,5mm	
C710	2401-002235	C-AL:10uF,20%,16V,GP,TP,5x11mm,5mm	
C711	2401-002235	C-AL:10uF,20%,16V,GP,TP,5x11mm,5mm	
C712	2401-002235	C-AL:10uF,20%,16V,GP,TP,5x11mm,5mm	
C713	2401-002235	C-AL:10uF,20%,16V,GP,TP,5x11mm,5mm	
C714	2401-002235	C-AL:10uF,20%,16V,GP,TP,5x11mm,5mm	
C715	2401-001840	C-AL:100uF,20%,16V,GP,TP,6.3x11,5	
C716	2202-000121	C-CERAMIC,MLC-AXIAL;100pF,10%,50V,Y5P,TP	
C717	2202-000121	C-CERAMIC,MLC-AXIAL;100pF,10%,50V,Y5P,TP	
C718	2202-000121	C-CERAMIC,MLC-AXIAL;100pF,10%,50V,Y5P,TP	
C719	2202-000121	C-CERAMIC,MLC-AXIAL;100pF,10%,50V,Y5P,TP	
C720	2202-000121	C-CERAMIC,MLC-AXIAL;100pF,10%,50V,Y5P,TP	
C721	2202-000121	C-CERAMIC,MLC-AXIAL;100pF,10%,50V,Y5P,TP	
C722	2202-000121	C-CERAMIC,MLC-AXIAL;100pF,10%,50V,Y5P,TP	
C723	2202-000121	C-CERAMIC,MLC-AXIAL;100pF,10%,50V,Y5P,TP	
C724	2305-000355	C-FILM,MPEF;330nF,5%,63V,TP,-,5mm	
C725	2401-002235	C-AL:10uF,20%,16V,GP,TP,5x11mm,5mm	
C726	2401-002235	C-AL:10uF,20%,16V,GP,TP,5x11mm,5mm	
C727	2401-002235	C-AL:10uF,20%,16V,GP,TP,5x11mm,5mm	
C728	2305-000355	C-FILM,MPEF;330nF,5%,63V,TP,-,5mm	
C729	2401-002235	C-AL:10uF,20%,16V,GP,TP,5x11mm,5mm	
C730	2401-002235	C-AL:10uF,20%,16V,GP,TP,5x11mm,5mm	
C731	2401-002235	C-AL:10uF,20%,16V,GP,TP,5x11mm,5mm	
C732	2401-001840	C-AL:100uF,20%,16V,GP,TP,6.3x11,5	
C733	2201-000982	C-CERAMIC,DISC;10nF,+80-20%,50V,Y5V,TP,4	
C734	2401-001363	C-AL:470uF,20%,16V,GP,TP,10x12,5,5	
C735	2401-001840	C-AL:100uF,20%,16V,GP,TP,6.3x11,5	
C738	2202-000121	C-CERAMIC,MLC-AXIAL;100pF,10%,50V,Y5P,TP	
C739	2202-000121	C-CERAMIC,MLC-AXIAL;100pF,10%,50V,Y5P,TP	
C740	2401-002235	C-AL:10uF,20%,16V,GP,TP,5x11mm,5mm	
C741	2401-002235	C-AL:10uF,20%,16V,GP,TP,5x11mm,5mm	
C745	2401-001840	C-AL:100uF,20%,16V,GP,TP,6.3x11,5	
C746	2305-000665	C-FILM,MPEF;100nF,5%,63V,TP,7.5x4.0x5.0m	
C747	2401-000480	C-AL:10uF,20%,50V,GP,TP,5x11,5	
C801	2401-000832	C-AL:220uF,20%,25V,GP,TP,8x11,5,5	
C802	2305-000665	C-FILM,MPEF;100nF,5%,63V,TP,7.5x4.0x5.0m	

Electrical Parts List

Loc. No.	Code No.	Description ; Specification	Remark	Loc. No.	Code No.	Description ; Specification	Remark
C803	2401-001363	C-AL:470uF,20%,16V,GP,TP,10x12.5,5		DZ203	0403-000367	DIODE-ZENER:UZ7.5BSC,7.5V,7.33-7.64V,500	
C804	2305-000665	C-FILM,MPEF:100nF,5%,63V,TP,7.5x4.0x5.0m		DZ601	0403-001316	DIODE-ZENER:MTZJ3.0A,2.85-3.07V,500mW,DO	
C805	2401-000832	C-AL:220uF,20%,25V,GP,TP,8x11.5,5		DZ602	0403-000367	DIODE-ZENER:UZ7.5BSC,7.5V,7.33-7.64V,500	
C806	2305-000665	C-FILM,MPEF:100nF,5%,63V,TP,7.5x4.0x5.0m		DZ603	0403-000367	DIODE-ZENER:UZ7.5BSC,7.5V,7.33-7.64V,500	
C807	2401-001363	C-AL:470uF,20%,16V,GP,TP,10x12.5,5		J312	3301-000287	CORE-FERRITE BEAD:AA,3.5x1.0x6.0mm,1500,	
C808	2305-000665	C-FILM,MPEF:100nF,5%,63V,TP,7.5x4.0x5.0m		L101	2701-000115	INDUCTOR-AXIAL:10uH,10%,3x7mm	
C809	2401-000832	C-AL:220uF,20%,25V,GP,TP,8x11.5,5		L102	2701-000114	INDUCTOR-AXIAL:10uH,10%,2.5x3.4mm	
C810	2305-000665	C-FILM,MPEF:100nF,5%,63V,TP,7.5x4.0x5.0m		L103	2701-000114	INDUCTOR-AXIAL:10uH,10%,2.5x3.4mm	
C811	2401-001363	C-AL:470uF,20%,16V,GP,TP,10x12.5,5		L104	2701-000116	INDUCTOR-AXIAL:10uH,10%,4.2x9.8mm	
C812	2305-000665	C-FILM,MPEF:100nF,5%,63V,TP,7.5x4.0x5.0m		L106	2701-000115	INDUCTOR-AXIAL:10uH,10%,3x7mm	
C813	2401-001363	C-AL:470uF,20%,16V,GP,TP,10x12.5,5		L601	2701-000170	INDUCTOR-AXIAL:3.9uH,10%,3x7mm	
C814	2305-000665	C-FILM,MPEF:100nF,5%,63V,TP,7.5x4.0x5.0m		L602	2701-000115	INDUCTOR-AXIAL:10uH,10%,3x7mm	
C815	2401-001363	C-AL:470uF,20%,16V,GP,TP,10x12.5,5		L603	2701-000115	INDUCTOR-AXIAL:10uH,10%,3x7mm	
C816	2305-000665	C-FILM,MPEF:100nF,5%,63V,TP,7.5x4.0x5.0m		L701	2701-000115	INDUCTOR-AXIAL:10uH,10%,3x7mm	
C819	2401-001363	C-AL:470uF,20%,16V,GP,TP,10x12.5,5		L702	2701-000114	INDUCTOR-AXIAL:10uH,10%,2.5x3.4mm	
C820	2305-000665	C-FILM,MPEF:100nF,5%,63V,TP,7.5x4.0x5.0m		L703	2701-000114	INDUCTOR-AXIAL:10uH,10%,2.5x3.4mm	
C825	2401-000287	C-AL:100uF,20%,16V,WT,TP,6.3x11,5		L704	2701-000114	INDUCTOR-AXIAL:10uH,10%,2.5x3.4mm	
C901	2401-001840	C-AL:100uF,20%,16V,GP,TP,6.3x11,5		L705	2701-000114	INDUCTOR-AXIAL:10uH,10%,2.5x3.4mm	
C902	2305-000665	C-FILM,MPEF:100nF,5%,63V,TP,7.5x4.0x5.0m		L706	2701-000114	INDUCTOR-AXIAL:10uH,10%,2.5x3.4mm	
C903	2401-001840	C-AL:100uF,20%,16V,GP,TP,6.3x11,5		L707	2701-000114	INDUCTOR-AXIAL:10uH,10%,2.5x3.4mm	
C905	2401-001840	C-AL:100uF,20%,16V,GP,TP,6.3x11,5		L708	2701-000115	INDUCTOR-AXIAL:10uH,10%,3x7mm	
C906	2401-001840	C-AL:100uF,20%,16V,GP,TP,6.3x11,5		L709	2701-000114	INDUCTOR-AXIAL:10uH,10%,2.5x3.4mm	
C907	2305-000665	C-FILM,MPEF:100nF,5%,63V,TP,7.5x4.0x5.0m		L710	2701-000114	INDUCTOR-AXIAL:10uH,10%,2.5x3.4mm	
CD01	2401-002235	C-AL:10uF,20%,16V,GP,TP,5x11mm,5mm		L711	2701-000114	INDUCTOR-AXIAL:10uH,10%,2.5x3.4mm	
CD02	2401-002235	C-AL:10uF,20%,16V,GP,TP,5x11mm,5mm		L712	2701-000114	INDUCTOR-AXIAL:10uH,10%,2.5x3.4mm	
CD03	2401-002458	C-AL:1000uF,20%,35V,GP,TP,16x25,7.5		L801	2701-001040	INDUCTOR-AXIAL:10uH,10%,4.5x14mm	
CD04	2305-000665	C-FILM,MPEF:100nF,5%,63V,TP,7.5x4.0x5.0m		L802	2701-001040	INDUCTOR-AXIAL:10uH,10%,4.5x14mm	
CD05	2401-002458	C-AL:1000uF,20%,35V,GP,TP,16x25,7.5		L901	2701-000115	INDUCTOR-AXIAL:10uH,10%,3x7mm	
CD06	2401-002216	C-AL:2200uF,20%,35V,GP,TP,16x25,7.5		L902	2701-000114	INDUCTOR-AXIAL:10uH,10%,2.5x3.4mm	
CD07	2305-000665	C-FILM,MPEF:100nF,5%,63V,TP,7.5x4.0x5.0m		LG01	2701-000115	INDUCTOR-AXIAL:10uH,10%,3x7mm	
CD08	2305-000665	C-FILM,MPEF:100nF,5%,63V,TP,7.5x4.0x5.0m		LH01	2701-000170	INDUCTOR-AXIAL:3.9uH,10%,3x7mm	
CD09	2401-000027	C-AL:4.7uF,20%,50V,GP,TP,5x11,5		LP02	2701-000114	INDUCTOR-AXIAL:10uH,10%,2.5x3.4mm	
CD10	2202-000716	C-CERAMIC,MLC-AXIAL:1.8nF,20%,16V,Y5R,TP		LP03	2701-000114	INDUCTOR-AXIAL:10uH,10%,2.5x3.4mm	
CD11	2401-002459	C-AL:220uF,20%,25V,LZ,TP,10x16,5		LP04	2701-000116	INDUCTOR-AXIAL:10uH,10%,4.2x9.8mm	
CD12	2401-000027	C-AL:4.7uF,20%,50V,GP,TP,5x11,5		LP06	2701-000115	INDUCTOR-AXIAL:10uH,10%,3x7mm	
CD13	2202-000716	C-CERAMIC,MLC-AXIAL:1.8nF,20%,16V,Y5R,TP		LS07	2701-000115	INDUCTOR-AXIAL:10uH,10%,3x7mm	
CD14	2202-000796	C-CERAMIC,MLC-AXIAL:1nF,10%,50V,Y5P,TP,3		Q201	0501-000389	TR-SMALL SIGNAL:KSC815,NPN,400mW,TO-92,T	
CD15	2202-000796	C-CERAMIC,MLC-AXIAL:1nF,10%,50V,Y5P,TP,3		Q202	0501-000389	TR-SMALL SIGNAL:KSC815,NPN,400mW,TO-92,T	
CD16	2301-000111	C-FILM,PEF:1.8nF,5%,50V,TP,6.5x3.0x5.5mm		Q601	0501-000389	TR-SMALL SIGNAL:KSC815,NPN,400mW,TO-92,T	
CD17	2301-000111	C-FILM,PEF:1.8nF,5%,50V,TP,6.5x3.0x5.5mm		Q602	0501-000389	TR-SMALL SIGNAL:KSC815,NPN,400mW,TO-92,T	
CD18	2401-002235	C-AL:10uF,20%,16V,GP,TP,5x11mm,5mm		Q603	0501-000389	TR-SMALL SIGNAL:KSC815,NPN,400mW,TO-92,T	
CD19	2401-002235	C-AL:10uF,20%,16V,GP,TP,5x11mm,5mm		Q702	0501-000389	TR-SMALL SIGNAL:KSC815,NPN,400mW,TO-92,T	
CG01	2401-002235	C-AL:10uF,20%,16V,GP,TP,5x11mm,5mm		Q703	0501-000389	TR-SMALL SIGNAL:KSC815,NPN,400mW,TO-92,T	
CG02	2401-002235	C-AL:10uF,20%,16V,GP,TP,5x11mm,5mm		Q704	0501-000389	TR-SMALL SIGNAL:KSC815,NPN,400mW,TO-92,T	
CG03	2401-001840	C-AL:100uF,20%,16V,GP,TP,6.3x11,5		Q705	0501-000389	TR-SMALL SIGNAL:KSC815,NPN,400mW,TO-92,T	
CG04	2305-000665	C-FILM,MPEF:100nF,5%,63V,TP,7.5x4.0x5.0m		Q706	0501-000389	TR-SMALL SIGNAL:KSC815,NPN,400mW,TO-92,T	
CG05	2401-002235	C-AL:10uF,20%,16V,GP,TP,5x11mm,5mm		Q707	0501-000389	TR-SMALL SIGNAL:KSC815,NPN,400mW,TO-92,T	
CH01	2401-002235	C-AL:10uF,20%,16V,GP,TP,5x11mm,5mm		Q708	0501-000389	TR-SMALL SIGNAL:KSC815,NPN,400mW,TO-92,T	
CH02	2401-002235	C-AL:10uF,20%,16V,GP,TP,5x11mm,5mm		Q709	0501-000389	TR-SMALL SIGNAL:KSC815,NPN,400mW,TO-92,T	
CH03	2401-000480	C-AL:10uF,20%,50V,GP,TP,5x11,5		Q710	0501-000283	TR-SMALL SIGNAL:KSA539,PNP,400mW,TO-92,T	
CH04	2401-001840	C-AL:100uF,20%,16V,GP,TP,6.3x11,5		Q711	0501-000389	TR-SMALL SIGNAL:KSC815,NPN,400mW,TO-92,T	
CH05	2305-000665	C-FILM,MPEF:100nF,5%,63V,TP,7.5x4.0x5.0m		Q712	0504-000123	TR-DIGITAL:KSR1010,NPN,300mW,10K,TO-92,T	
CN901A	3711-002648	CONNECTOR-HEADER:BOX,9P,1R,2.5mm,STRAIGH		Q901	0504-000123	TR-DIGITAL:KSR1010,NPN,300mW,10K,TO-92,T	
CN902A	3711-002644	CONNECTOR-HEADER:BOX,7P,1R,2.5mm,STRAIGH		Q902	0504-000123	TR-DIGITAL:KSR1010,NPN,300mW,10K,TO-92,T	
CND01	3711-002644	CONNECTOR-HEADER:BOX,5P,1R,2.5mm,STRAIGH		QG01	0501-000389	TR-SMALL SIGNAL:KSC815,NPN,400mW,TO-92,T	
CND02	3711-002645	CONNECTOR-HEADER:BOX,6P,1R,2.5MM,STRAIGH		QG02	0501-000389	TR-SMALL SIGNAL:KSC815,NPN,400mW,TO-92,T	
CP03	2401-001840	C-AL:100uF,20%,16V,GP,TP,6.3x11,5		QG03	0504-000123	TR-DIGITAL:KSR1010,NPN,300mW,10K,TO-92,T	
CP04	2202-002037	C-CERAMIC,MLC-AXIAL:100nF,80-20%,50V,Y5V		R101	2001-001006	R-CARBON:820HM,5%,1/8W,AA,TP,1.8X3.2MM	
CP07	2401-000480	C-AL:10uF,20%,50V,GP,TP,5x11,5		R102	2001-000281	R-CARBON:1000HM,5%,1/8W,AA,TP,1.8X3.2MM	
CP08	2305-000665	C-FILM,MPEF:100nF,5%,63V,TP,7.5x4.0x5.0m		R103	2001-000429	R-CARBON:1KOHM,5%,1/8W,AA,TP,1.8X3.2MM	
CS02	2401-002235	C-AL:10uF,20%,16V,GP,TP,5x11mm,5mm		R110	2003-001093	R-METAL OXIDE(S):12Kohm,5%,2W,AF,TP,3.9x	
CS16	2401-002235	C-AL:10uF,20%,16V,GP,TP,5x11mm,5mm		R115	2001-001006	R-CARBON:820HM,5%,1/8W,AA,TP,1.8X3.2MM	
CS30	2401-000480	C-AL:100uF,20%,16V,GP,TP,6.3x11,5		R203	2001-000281	R-CARBON:1000HM,5%,1/8W,AA,TP,1.8X3.2MM	
CS31	2201-000982	C-CERAMIC,DISC:10nF,+80-20%,50V,Y5V,TP,4		R204	2001-000281	R-CARBON:1000HM,5%,1/8W,AA,TP,1.8X3.2MM	
D201	0401-000005	DIODE-SWITCHING:1N4148,100V,200MA,DO-35,		R205	2001-000281	R-CARBON:1000HM,5%,1/8W,AA,TP,1.8X3.2MM	
D202	0401-000005	DIODE-SWITCHING:1N4148,100V,200MA,DO-35,		R208	2001-000281	R-CARBON:1000HM,5%,1/8W,AA,TP,1.8X3.2MM	
D203	0401-000005	DIODE-SWITCHING:1N4148,100V,200MA,DO-35,		R209	2001-000281	R-CARBON:1000HM,5%,1/8W,AA,TP,1.8X3.2MM	
D601	0401-000005	DIODE-SWITCHING:1N4148,100V,200MA,DO-35,		R210	2701-000184	INDUCTOR-AXIAL:4.7uH,10%,2.5x3.4mm	
D602	0401-000005	DIODE-SWITCHING:1N4148,100V,200MA,DO-35,		R211	2701-000184	INDUCTOR-AXIAL:4.7uH,10%,2.5x3.4mm	
D603	0401-000005	DIODE-SWITCHING:1N4148,100V,200MA,DO-35,		R212	2001-000969	R-CARBON:750HM,5%,1/8W,AA,TP,1.8X3.2MM	
D604	0401-000005	DIODE-SWITCHING:1N4148,100V,200MA,DO-35,		R213	2001-001006	R-CARBON:820HM,5%,1/8W,AA,TP,1.8X3.2MM	
DG01	0401-000005	DIODE-SWITCHING:1N4148,100V,200MA,DO-35,		R214	2001-000281	R-CARBON:1000HM,5%,1/8W,AA,TP,1.8X3.2MM	
DX01	0401-000005	DIODE-SWITCHING:1N4148,100V,200MA,DO-35,		R216	2001-000281	R-CARBON:1000HM,5%,1/8W,AA,TP,1.8X3.2MM	
DX02	0401-000005	DIODE-SWITCHING:1N4148,100V,200MA,DO-35,		R217	2001-000449	R-CARBON:2.2KOHM,5%,1/8W,AA,TP,1.8X3.2M	
DZ101	0403-000700	DIODE-ZENER:TZP33A,33V,31-35V,1W,DO-41,T		R218	2001-000290	R-CARBON:10KOHM,5%,1/8W,AA,TP,1.8X3.2MM	
DZ201	0403-001211	DIODE-ZENER:MTZJ12B,11.44-12.03V,500mW,DO		R219	2001-000290	R-CARBON:10KOHM,5%,1/8W,AA,TP,1.8X3.2MM	
DZ202	0403-001320	DIODE-ZENER:MTZJ6.2C,6.12-6.44V,500mW,DO		R220	2001-000522	R-CARBON:22KOHM,5%,1/8W,AA,TP,1.8X3.2MM	

Loc. No.	Code No.	Description ; Specification	Remark	Loc. No.	Code No.	Description ; Specification	Remark
R230	2001-000449	R-CARBON:2.2KOHM,5%,1/8W,AA,TP,1.8X3.2M		R745	2001-000281	R-CARBON:1000HM,5%,1/8W,AA,TP,1.8X3.2MM	
R601	2001-000281	R-CARBON:1000HM,5%,1/8W,AA,TP,1.8X3.2MM		R746	2001-000281	R-CARBON:1000HM,5%,1/8W,AA,TP,1.8X3.2MM	
R602	2001-000281	R-CARBON:1000HM,5%,1/8W,AA,TP,1.8X3.2MM		R747	2001-000281	R-CARBON:1000HM,5%,1/8W,AA,TP,1.8X3.2MM	
R603	2001-000429	R-CARBON:1KOHM,5%,1/8W,AA,TP,1.8X3.2MM		R750	2001-000281	R-CARBON:1000HM,5%,1/8W,AA,TP,1.8X3.2MM	
R604	2001-000429	R-CARBON:1KOHM,5%,1/8W,AA,TP,1.8X3.2MM		R751	2001-000281	R-CARBON:1000HM,5%,1/8W,AA,TP,1.8X3.2MM	
R607	2001-000577	R-CARBON:2KOHM,5%,1/8W,AA,TP,1.8X3.2MM		R752	2001-000969	R-CARBON:75OHM,5%,1/8W,AA,TP,1.8X3.2MM	
R608	2001-000591	R-CARBON:3.3KOHM,5%,1/8W,AA,TP,1.8X3.2M		R753	2001-000761	R-CARBON:430OHM,5%,1/8W,AA,TP,1.8X3.2MM	
R609	2001-000290	R-CARBON:10KOHM,5%,1/8W,AA,TP,1.8X3.2MM		R754	2001-000429	R-CARBON:1KOHM,5%,1/8W,AA,TP,1.8X3.2MM	
R610	2001-000591	R-CARBON:3.3KOHM,5%,1/8W,AA,TP,1.8X3.2M		R755	2001-000761	R-CARBON:430OHM,5%,1/8W,AA,TP,1.8X3.2MM	
R611	2001-000290	R-CARBON:10KOHM,5%,1/8W,AA,TP,1.8X3.2MM		R756	2001-000429	R-CARBON:1KOHM,5%,1/8W,AA,TP,1.8X3.2MM	
R614	2001-001187	R-CARBON(S):75OHM,5%,1/2W,AA,TP,2.4X6.4M		R758	2001-000969	R-CARBON:75OHM,5%,1/8W,AA,TP,1.8X3.2MM	
R615	2001-000290	R-CARBON:10KOHM,5%,1/8W,AA,TP,1.8X3.2MM		R759	2001-000969	R-CARBON:75OHM,5%,1/8W,AA,TP,1.8X3.2MM	
R616	2001-001093	R-CARBON(S):2.2KOHM,5%,1/2W,AA,TP,2.4X6.		R764	2001-000281	R-CARBON:1000HM,5%,1/8W,AA,TP,1.8X3.2MM	
R617	2001-001093	R-CARBON(S):2.2KOHM,5%,1/2W,AA,TP,2.4X6.		R901	2001-000302	R-CARBON:100HM,5%,1/8W,AA,TP,1.8X3.2MM	
R618	2001-000786	R-CARBON:47KOHM,5%,1/8W,AA,TP,1.8X3.2MM		R902	2001-000302	R-CARBON:100HM,5%,1/8W,AA,TP,1.8X3.2MM	
R619	2001-001146	R-CARBON(S):4.7OHM,5%,1/2W,AA,TP,2.4X6.4		R903	2001-000302	R-CARBON:100HM,5%,1/8W,AA,TP,1.8X3.2MM	
R620	2001-001093	R-CARBON(S):2.2KOHM,5%,1/2W,AA,TP,2.4X6.		R904	2001-000302	R-CARBON:100HM,5%,1/8W,AA,TP,1.8X3.2MM	
R621	2001-001093	R-CARBON(S):2.2KOHM,5%,1/2W,AA,TP,2.4X6.		R905	2001-000302	R-CARBON:100HM,5%,1/8W,AA,TP,1.8X3.2MM	
R622	2001-001146	R-CARBON(S):4.7OHM,5%,1/2W,AA,TP,2.4X6.4		R906	2001-000281	R-CARBON:1000HM,5%,1/8W,AA,TP,1.8X3.2MM	
R623	2001-000786	R-CARBON:47KOHM,5%,1/8W,AA,TP,1.8X3.2MM		R907	2001-000281	R-CARBON:1000HM,5%,1/8W,AA,TP,1.8X3.2MM	
R624	2001-001050	R-CARBON(S):1.5KOHM,5%,1/2W,AA,TP,2.4X6.		R908	2001-000281	R-CARBON:1000HM,5%,1/8W,AA,TP,1.8X3.2MM	
R625	2001-000780	R-CARBON:470OHM,5%,1/8W,AA,TP,1.8X3.2MM		R909	2001-000472	R-CARBON:2.7KOHM,5%,1/8W,AA,TP,1.8X3.2M	
R626	2001-001088	R-CARBON(S):1KOHM,5%,1/2W,AA,TP,2.4X6.4M		R910	2001-000281	R-CARBON:1000HM,5%,1/8W,AA,TP,1.8X3.2MM	
R627	2001-001088	R-CARBON(S):1KOHM,5%,1/2W,AA,TP,2.4X6.4M		RC01	2001-000281	R-CARBON:1000HM,5%,1/8W,AA,TP,1.8X3.2MM	
R628	2001-000290	R-CARBON:10KOHM,5%,1/8W,AA,TP,1.8X3.2MM		RC02	2001-000281	R-CARBON:1000HM,5%,1/8W,AA,TP,1.8X3.2MM	
R629	2001-000522	R-CARBON:22KOHM,5%,1/8W,AA,TP,1.8X3.2MM		RC103	2001-000969	R-CARBON:75OHM,5%,1/8W,AA,TP,1.8X3.2MM	
R630	2001-000290	R-CARBON:10KOHM,5%,1/8W,AA,TP,1.8X3.2MM		RD02	2001-000734	R-CARBON:4.7KOHM,5%,1/8W,AA,TP,1.8X3.2M	
R631	2001-000273	R-CARBON:100KOHM,5%,1/8W,AA,TP,1.8X3.2M		RD03	2001-000734	R-CARBON:4.7KOHM,5%,1/8W,AA,TP,1.8X3.2M	
R632	2001-000290	R-CARBON:10KOHM,5%,1/8W,AA,TP,1.8X3.2MM		RD10	2001-001093	R-CARBON(S):2.2KOHM,5%,1/2W,AA,TP,2.4X6.	
R635	2001-000290	R-CARBON:10KOHM,5%,1/8W,AA,TP,1.8X3.2MM		RD11	2001-001093	R-CARBON(S):2.2KOHM,5%,1/2W,AA,TP,2.4X6.	
R636	2001-000290	R-CARBON:10KOHM,5%,1/8W,AA,TP,1.8X3.2MM		RD12	2001-001146	R-CARBON(S):4.7OHM,5%,1/2W,AA,TP,2.4X6.4	
R637	2001-000780	R-CARBON:470OHM,5%,1/8W,AA,TP,1.8X3.2MM		RD13	2001-000786	R-CARBON:47KOHM,5%,1/8W,AA,TP,1.8X3.2MM	
R638	2001-000290	R-CARBON:10KOHM,5%,1/8W,AA,TP,1.8X3.2MM		RD14	2001-001093	R-CARBON(S):2.2KOHM,5%,1/2W,AA,TP,2.4X6.	
R639	2001-000290	R-CARBON:10KOHM,5%,1/8W,AA,TP,1.8X3.2MM		RD15	2001-001146	R-CARBON(S):4.7OHM,5%,1/2W,AA,TP,2.4X6.4	
R701	2001-000429	R-CARBON:1KOHM,5%,1/8W,AA,TP,1.8X3.2MM		RD16	2001-001093	R-CARBON(S):2.2KOHM,5%,1/2W,AA,TP,2.4X6.	
R702	2001-000429	R-CARBON:1KOHM,5%,1/8W,AA,TP,1.8X3.2MM		RD17	2001-000786	R-CARBON:47KOHM,5%,1/8W,AA,TP,1.8X3.2MM	
R703	2001-000429	R-CARBON:1KOHM,5%,1/8W,AA,TP,1.8X3.2MM		RD18	2001-000780	R-CARBON:470OHM,5%,1/8W,AA,TP,1.8X3.2MM	
R704	2001-000429	R-CARBON:1KOHM,5%,1/8W,AA,TP,1.8X3.2MM		RD19	2001-001088	R-CARBON(S):1KOHM,5%,1/2W,AA,TP,2.4X6.4M	
R705	2001-000429	R-CARBON:1KOHM,5%,1/8W,AA,TP,1.8X3.2MM		RD20	2001-001088	R-CARBON(S):1KOHM,5%,1/2W,AA,TP,2.4X6.4M	
R706	2001-000429	R-CARBON:1KOHM,5%,1/8W,AA,TP,1.8X3.2MM		RD21	2001-000780	R-CARBON:470OHM,5%,1/8W,AA,TP,1.8X3.2MM	
R707	2001-000331	R-CARBON:12KOHM,5%,1/8W,AA,TP,1.8X3.2MM		RD22	2001-001108	R-CARBON(S):22KOHM,5%,1/2W,AA,TP,2.4X6.4	
R708	2001-000947	R-CARBON:7.5KOHM,5%,1/8W,AA,TP,1.8X3.2M		RD23	2001-001108	R-CARBON(S):22KOHM,5%,1/2W,AA,TP,2.4X6.4	
R709	2001-000947	R-CARBON:7.5KOHM,5%,1/8W,AA,TP,1.8X3.2M		RD24	2001-000780	R-CARBON:470OHM,5%,1/8W,AA,TP,1.8X3.2MM	
R710	2001-000947	R-CARBON:7.5KOHM,5%,1/8W,AA,TP,1.8X3.2M		RD25	2001-000780	R-CARBON:470OHM,5%,1/8W,AA,TP,1.8X3.2MM	
R711	2001-000522	R-CARBON:22KOHM,5%,1/8W,AA,TP,1.8X3.2MM		RD26	2001-001050	R-CARBON(S):1.5KOHM,5%,1/2W,AA,TP,2.4X6.	
R713	2001-000472	R-CARBON:2.7KOHM,5%,1/8W,AA,TP,1.8X3.2M		RD27	2001-000786	R-CARBON:47KOHM,5%,1/8W,AA,TP,1.8X3.2MM	
R714	2001-000290	R-CARBON:10KOHM,5%,1/8W,AA,TP,1.8X3.2MM		RD28	2001-000786	R-CARBON:47KOHM,5%,1/8W,AA,TP,1.8X3.2MM	
R715	2001-000554	R-CARBON:270OHM,5%,1/8W,AA,TP,1.8X3.2MM		RD29	2001-000290	R-CARBON:10KOHM,5%,1/8W,AA,TP,1.8X3.2MM	
R716	2001-000780	R-CARBON:470OHM,5%,1/8W,AA,TP,1.8X3.2MM		RD30	2001-000290	R-CARBON:10KOHM,5%,1/8W,AA,TP,1.8X3.2MM	
R717	2001-000554	R-CARBON:270OHM,5%,1/8W,AA,TP,1.8X3.2MM		RD31	2001-000786	R-CARBON:47KOHM,5%,1/8W,AA,TP,1.8X3.2MM	
R718	2001-000429	R-CARBON:1KOHM,5%,1/8W,AA,TP,1.8X3.2MM		RD32	2001-000786	R-CARBON:47KOHM,5%,1/8W,AA,TP,1.8X3.2MM	
R719	2001-000281	R-CARBON:1000HM,5%,1/8W,AA,TP,1.8X3.2MM		RG01	2001-000290	R-CARBON:10KOHM,5%,1/8W,AA,TP,1.8X3.2MM	
R720	2001-000938	R-CARBON:68OHM,5%,1/8W,AA,TP,1.8X3.2MM		RG02	2001-000734	R-CARBON:4.7KOHM,5%,1/8W,AA,TP,1.8X3.2M	
R721	2001-000429	R-CARBON:1KOHM,5%,1/8W,AA,TP,1.8X3.2MM		RG03	2001-000429	R-CARBON:1KOHM,5%,1/8W,AA,TP,1.8X3.2MM	
R722	2001-000969	R-CARBON:75OHM,5%,1/8W,AA,TP,1.8X3.2MM		RG04	2001-000290	R-CARBON:10KOHM,5%,1/8W,AA,TP,1.8X3.2MM	
R723	2001-000969	R-CARBON:75OHM,5%,1/8W,AA,TP,1.8X3.2MM		RG05	2001-000734	R-CARBON:4.7KOHM,5%,1/8W,AA,TP,1.8X3.2M	
R724	2001-000969	R-CARBON:75OHM,5%,1/8W,AA,TP,1.8X3.2MM		RG06	2001-000429	R-CARBON:1KOHM,5%,1/8W,AA,TP,1.8X3.2MM	
R725	2001-000429	R-CARBON:1KOHM,5%,1/8W,AA,TP,1.8X3.2MM		RG08	2001-000734	R-CARBON:4.7KOHM,5%,1/8W,AA,TP,1.8X3.2M	
R726	2001-000429	R-CARBON:1KOHM,5%,1/8W,AA,TP,1.8X3.2MM		RH01	2001-000281	R-CARBON:1000HM,5%,1/8W,AA,TP,1.8X3.2MM	
R727	2001-000429	R-CARBON:1KOHM,5%,1/8W,AA,TP,1.8X3.2MM		RH02	2001-000281	R-CARBON:1000HM,5%,1/8W,AA,TP,1.8X3.2MM	
R728	2001-000429	R-CARBON:1KOHM,5%,1/8W,AA,TP,1.8X3.2MM		RN701	2011-000155	R-NETWORK:10Kohm,5%,1/8W,A,SIP,5PBK	
R729	2001-000429	R-CARBON:1KOHM,5%,1/8W,AA,TP,1.8X3.2MM		RX01	2001-001114	R-CARBON(S):270OHM,5%,1/2W,AA,TP,2.4X6.4	
R730	2001-000969	R-CARBON:75OHM,5%,1/8W,AA,TP,1.8X3.2MM		RX02	2001-001178	R-CARBON(S):68OHM,5%,1/2W,AA,TP,2.4X6.4	
R731	2001-000429	R-CARBON:1KOHM,5%,1/8W,AA,TP,1.8X3.2MM		X601	2801-003903	CRYSTAL-UNIT:18.432MHz,25ppm,28-AAAM,12pf	
R732	2001-000429	R-CARBON:1KOHM,5%,1/8W,AA,TP,1.8X3.2MM			AA41-00156C	PCB-MAIN:CT-29A7DR,FR-1,1L,C,1.6T,330x2	
R733	2001-000429	R-CARBON:1KOHM,5%,1/8W,AA,TP,1.8X3.2MM			0403-000700	DIODE-ZENER:TZP33A,33V,31-35V,1W,DO-41,T	
R734	2001-000281	R-CARBON:1000HM,5%,1/8W,AA,TP,1.8X3.2MM			2001-000734	R-CARBON:4.7KOHM,5%,1/8W,AA,TP,1.8X3.2MM	
R735	2001-000003	R-CARBON:330ohm,5%,1/8W,AA,TP,1.8x3.2mm			AA39-20536B	LEAD CONNECTOR-ASSY:-,-----,F,	
R736	2001-000003	R-CARBON:330ohm,5%,1/8W,AA,TP,1.8x3.2mm			AA39-20009D	LEAD CONNECTOR-ASSY:-,YFH800-01,-,1P,500	
R737	2001-000429	R-CARBON:1KOHM,5%,1/8W,AA,TP,1.8X3.2MM			AA39-20010C	LEAD CONNECTOR-ASSY:-,YFH800-01,S,1P,600	
R738	2001-000429	R-CARBON:1KOHM,5%,1/8W,AA,TP,1.8X3.2MM			AA27-00060A	COIL DEGAUSSING:-,34,14ohm,-,L3600,E	
R739	2001-000281	R-CARBON:1000HM,5%,1/8W,AA,TP,1.8X3.2MM			AA39-20015B	LEAD CONNECTOR-ASSY:-,67096-003,-,3(2)P,	
R740	2001-000281	R-CARBON:1000HM,5%,1/8W,AA,TP,1.8X3.2MM			AA39-30007A	IF-CABLE:-,T,100mm,1365#26	
R741	2001-000281	R-CARBON:1000HM,5%,1/8W,AA,TP,1.8X3.2MM					
R742	2001-000281	R-CARBON:1000HM,5%,1/8W,AA,TP,1.8X3.2MM					
R743	2001-000281	R-CARBON:1000HM,5%,1/8W,AA,TP,1.8X3.2MM					
R744	2001-000281	R-CARBON:1000HM,5%,1/8W,AA,TP,1.8X3.2MM					

Loc. No.	Code No.	Description ; Specification	Remark
----------	----------	-----------------------------	--------

ASSY PCB CRT

* AA95-00646A ASSY PCB CRT; -KS4A,34,-,CRT DRIVE,V/M,

C503	2303-000186	C-FILM,PPF:22nf,5%,400V,BK,19.5x13.5x8,1	
C510	2303-000186	C-FILM,PPF:22nf,5%,400V,BK,19.5x13.5x8,1	
C511	2303-000186	C-FILM,PPF:22nf,5%,400V,BK,19.5x13.5x8,1	
C512	2303-000186	C-FILM,PPF:22nf,5%,400V,BK,19.5x13.5x8,1	
C522	2201-000969	C-CERAMIC,DISC:10nF,+80-20%,3.15kV,Y5V,T	
CNC01	3711-003641	CONNECTOR-HEADER:BOX,12P,1R,2.5mm,STRAIG	
CNC01A	AA39-20032G	LEAD CONNECTOR-ASSY;-67096-012,5,12P,50	
CNC02	3711-003052	CONNECTOR-HEADER:BOX,10P,1R,2.5mm,STRAIG	
CNC02A	AA39-00112C	LEAD CONNECTOR-ASSY;-,-,-,-,-,-,-,-,-,35	
△IC501	1201-000131	IC-VIDEO AMP:6111,SIP9P,-,SINGLE,-,PLAS	H/SINK
△IC502	1201-000010	IC-OP AMP:2030,PENTAWATT,5P,-,SINGLE,-,C	H/SINK
△IC503	1201-000010	IC-OP AMP:2030,PENTAWATT,5P,-,SINGLE,-,C	H/SINK
△IC504	1201-000010	IC-OP AMP:2030,PENTAWATT,5P,-,SINGLE,-,C	H/SINK
△QF09	0502-000131	TR-POWER:2SA1011-D,PNP,1.2W,TO-220,-,60	H/SINK
△QF10	0502-000153	TR-POWER:2SC2344-D,NPN,1.2W,TO-220,-,60	H/SINK
△VA999	3704-000114	SOCKET-CRT:14P,29.1,35.5,SN,ISH09S/BK	
C501	2201-000949	C-CERAMIC,DISC:0.005nF,0.5pF,50V,UJ,TP,4	
C502	2201-000436	C-CERAMIC,DISC:0.002nF,0.25pF,50V,SL,TP,	
C504	2301-000016	C-FILM,PEF:22nf,5%,100V,TP,7.2x4.5x9.0mm	
C505	2301-000016	C-FILM,PEF:22nf,5%,100V,TP,7.2x4.5x9.0mm	
C506	2301-000016	C-FILM,PEF:22nf,5%,100V,TP,7.2x4.5x9.0mm	
C507	2301-000016	C-FILM,PEF:22nf,5%,100V,TP,7.2x4.5x9.0mm	
C509	2301-000016	C-FILM,PEF:22nf,5%,100V,TP,7.2x4.5x9.0mm	
C513	2201-000599	C-CERAMIC,DISC:0.56nF,10%,500V,Y5P,TP,5,	
C514	2201-000599	C-CERAMIC,DISC:0.56nF,10%,500V,Y5P,TP,5,	
C515	2201-000599	C-CERAMIC,DISC:0.56nF,10%,500V,Y5P,TP,5,	
C516	2401-001176	C-AL:33uF,20%,25V,GP,TP,5x11.5	
C520	2401-000703	C-AL:220uF,20%,25V,GP,-,12.5x25mm,	
C528	2401-000832	C-AL:220uF,20%,25V,GP,TP,8x11.5,5	
C531	2401-002264	C-AL:10uF,20%,350V,GP,TP,10x20mm,5m	
C532	2401-001563	C-AL:47uF,20%,400V,GP,TP,16x25,7.5	
C533	2305-000665	C-FILM,MPEF:100nF,5%,63V,TP,7.5x4.0x5.0m	
C534	2401-000832	C-AL:220uF,20%,25V,GP,TP,8x11.5,5	
C535	2401-000914	C-AL:22uF,20%,16V,GP,TP,5x11.5	
CF01	2201-000982	C-CERAMIC,DISC:10nF,+80-20%,50V,Y5V,TP,4	
CF02	2201-000292	C-CERAMIC,DISC:1nF,10%,50V,Y5P,TP,5x3.5,	
CF03	2201-000192	C-CERAMIC,DISC:0.01nF,0.25pF,500V,NP0,TP	
CF04	2201-000516	C-CERAMIC,DISC:4.7nF,+100-0%,500V,Y5U,TP	
CF05	2301-000261	C-FILM,PEF:4.7nF,5%,100V,TP,10.5x12.5x6,	
CF06	2201-000192	C-CERAMIC,DISC:0.01nF,0.25pF,500V,NP0,TP	
CF07	2201-000604	C-CERAMIC,DISC:0.056nF,+100-0%,500V,SL,T	
CF71	2401-000832	C-AL:220uF,20%,25V,GP,TP,8x11.5,5	
CF73	2401-001157	C-AL:33uF,20%,160V,GP,TP,12.5x20,5	
CF74	2401-002235	C-AL:10uF,20%,16V,GP,TP,5x11mm,5mm	
CF75	2401-000045	C-AL:10uF,20%,160V,GP,TP,10x16,5	
D501	0401-000005	DIODE-SWITCHING:1N4148,100V,200MA,DO-35,	
D502	0402-000546	DIODE-RECTIFIER:TVR10G,400V,1.0A,DO-41,T	
D504	0402-000132	DIODE-RECTIFIER:1N4004,400V,1A,DO-41,TP	
D509	0402-000546	DIODE-RECTIFIER:TVR10G,400V,1.0A,DO-41,T	
D510	0402-000546	DIODE-RECTIFIER:TVR10G,400V,1.0A,DO-41,T	
D511	0402-000546	DIODE-RECTIFIER:TVR10G,400V,1.0A,DO-41,T	
D512	0402-000546	DIODE-RECTIFIER:TVR10G,400V,1.0A,DO-41,T	
D513	0402-000546	DIODE-RECTIFIER:TVR10G,400V,1.0A,DO-41,T	
D514	0402-000546	DIODE-RECTIFIER:TVR10G,400V,1.0A,DO-41,T	
DF01	0401-000005	DIODE-SWITCHING:1N4148,100V,200MA,DO-35,	
DF02	0401-000005	DIODE-SWITCHING:1N4148,100V,200MA,DO-35,	
DF05	0401-000005	DIODE-SWITCHING:1N4148,100V,200MA,DO-35,	
DF06	0401-000005	DIODE-SWITCHING:1N4148,100V,200MA,DO-35,	
DF07	0402-000546	DIODE-RECTIFIER:TVR10G,400V,1.0A,DO-41,T	
DF08	0402-000546	DIODE-RECTIFIER:TVR10G,400V,1.0A,DO-41,T	
DZ501	0403-001211	DIODE-ZENER:MTZJ12B,11.44-12.03V,500MW,D	
DZ502	0403-001211	DIODE-ZENER:MTZJ12B,11.44-12.03V,500MW,D	
DZ503	0403-001211	DIODE-ZENER:MTZJ12B,11.44-12.03V,500MW,D	
DZ504	0403-001324	DIODE-ZENER:MTZJ13A,12.11-12.75V,500MW,D	
DZ510	0403-000698	DIODE-ZENER:TZP12A,12V,11.4-12.6V,1W,DO-	
FN1	3711-002643	CONNECTOR-HEADER:BOX,4P,1R,2.5MM,STRAIGH	
FV1	3711-002642	CONNECTOR-HEADER:BOX,3P,1R,2.5MM,STRAIGH	
L502	2701-000178	INDUCTOR-AXIAL:33uH,10%,3x7mm	
LF01	3301-000287	CORE-FERRITE BEAD:AA,3.5x1.0x6.0mm,1500,	
LF02	3301-000287	CORE-FERRITE BEAD:AA,3.5x1.0x6.0mm,1500,	
LF03	2701-000112	INDUCTOR-AXIAL:100uH,10%,3x7mm	
LF04	3301-000287	CORE-FERRITE BEAD:AA,3.5x1.0x6.0mm,1500,	

Loc. No.	Code No.	Description ; Specification	Remark
----------	----------	-----------------------------	--------

LF06	2901-000297	FILTER-EMI ON BOARD;-3A,-,-,3.5x5,TP-	
LF08	2901-000297	FILTER-EMI ON BOARD;-3A,-,-,3.5x5,TP-	
LF09	2901-000297	FILTER-EMI ON BOARD;-3A,-,-,3.5x5,TP-	
LF11	2901-000297	FILTER-EMI ON BOARD;-3A,-,-,3.5x5,TP-	
Q504	0501-000283	TR-SMALL SIGNAL:KSA539,PNP,400mW,TO-92,T	
QF01	0501-000389	TR-SMALL SIGNAL:KSC815,NPN,400mW,TO-92,T	
QF02	0501-000389	TR-SMALL SIGNAL:KSC815,NPN,400mW,TO-92,T	
QF03	0501-000389	TR-SMALL SIGNAL:KSC815,NPN,400mW,TO-92,T	
QF04	0501-000283	TR-SMALL SIGNAL:KSA539,PNP,400mW,TO-92,T	
QF05	0501-000389	TR-SMALL SIGNAL:KSC815,NPN,400mW,TO-92,T	
R501	2001-000241	R-CARBON:1.5KOHM,5%,1/8W,AA,TP,1.8X3.2M	
R502	2001-000252	R-CARBON:1.6KOHM,5%,1/8W,AA,TP,1.8X3.2M	
R503	2001-000241	R-CARBON:1.5KOHM,5%,1/8W,AA,TP,1.8X3.2M	
R504	2001-001045	R-CARBON(S):1.2KOHM,5%,1/2W,AA,TP,2.4X6,	
R505	2001-001045	R-CARBON(S):1.2KOHM,5%,1/2W,AA,TP,2.4X6,	
R506	2001-001045	R-CARBON(S):1.2KOHM,5%,1/2W,AA,TP,2.4X6,	
R507	2001-000472	R-CARBON:2.7KOHM,5%,1/8W,AA,TP,1.8X3.2M	
R508	2001-000995	R-CARBON:820OHM,5%,1/8W,AA,TP,1.8X3.2MM	
R510	2001-001194	R-CARBON(S):82KOHM,5%,1/2W,AA,TP,2.4X6.4	
R511	2001-001194	R-CARBON(S):82KOHM,5%,1/2W,AA,TP,2.4X6.4	
R512	2001-001194	R-CARBON(S):82KOHM,5%,1/2W,AA,TP,2.4X6.4	
R513	2002-001008	R-COMPOSITION:1.8Kohm,10%,1/2W,AA,TP,3.7	
R514	2002-001008	R-COMPOSITION:1.8Kohm,10%,1/2W,AA,TP,3.7	
R515	2002-001008	R-COMPOSITION:1.8Kohm,10%,1/2W,AA,TP,3.7	
R518	2001-001095	R-CARBON(S):2.2MOHM,5%,1/2W,AA,TP,2.4X6,	
R519	2001-000356	R-CARBON:150KOHM,5%,1/8W,AA,TP,1.8X3.2M	
R520	2001-000411	R-CARBON:18KOHM,5%,1/8W,AA,TP,1.8X3.2MM	
R521	2001-000221	R-CARBON:1.2KOHM,5%,1/8W,AA,TP,1.8X3.2M	
R522	2001-000290	R-CARBON:10KOHM,5%,1/8W,AA,TP,1.8X3.2MM	
R523	2001-000890	R-CARBON:6.8KOHM,5%,1/8W,AA,TP,1.8X3.2M	
R524	2002-001012	R-COMPOSITION:8.2Mohm,5%,1/2W,AA,TP,3.7x	
R525	2002-001006	R-COMPOSITION:4.7Kohm,5%,1/2W,AA,TP,3.7x	
R528	2008-001013	R-FUSIBLE(S):1.2ohm,5%,2W,AF,TP,3.9x10mm	
R540	2001-000429	R-CARBON:1KOHM,5%,1/8W,AA,TP,1.8X3.2MM	
R554	2001-000429	R-CARBON:1KOHM,5%,1/8W,AA,TP,1.8X3.2MM	
R555	2001-000429	R-CARBON:1KOHM,5%,1/8W,AA,TP,1.8X3.2MM	
R556	2001-000429	R-CARBON:1KOHM,5%,1/8W,AA,TP,1.8X3.2MM	
R560	2001-001049	R-CARBON(S):1.3KOHM,5%,1/2W,AA,TP,2.4X6,	
R561	2001-001126	R-CARBON(S):300OHM,5%,1/2W,AA,TP,2.4X6.4	
R562	2001-000273	R-CARBON:100KOHM,5%,1/8W,AA,TP,1.8X3.2M	
R563	2001-000273	R-CARBON:100KOHM,5%,1/8W,AA,TP,1.8X3.2M	
R564	2001-000290	R-CARBON:10KOHM,5%,1/8W,AA,TP,1.8X3.2MM	
R565	2004-001379	R-METAL(S):12kohm,1%,1/2W,AA,TP,2.4x6.4m	
R566	2001-001040	R-CARBON(S):0.68OHM,5%,1/2W,AA,TP,2.4X6,	
RF02	2001-000924	R-CARBON:680OHM,5%,1/8W,AA,TP,1.8X3.2MM	
RF03	2001-000522	R-CARBON:22KOHM,5%,1/8W,AA,TP,1.8X3.2MM	
RF04	2001-000989	R-CARBON:820KOHM,5%,1/8W,AA,TP,1.8X3.2M	
RF17	2001-000019	R-CARBON(S):100OHM,5%,1/2W,AA,TP,2.4X6.4M	
RF18	2001-000022	R-CARBON(S):33OHM,5%,1/2W,AA,TP,2.4X6.4M	
RF19	2001-000022	R-CARBON(S):33OHM,5%,1/2W,AA,TP,2.4X6.4M	
RF20	2001-000331	R-CARBON:12KOHM,5%,1/8W,AA,TP,1.8X3.2MM	
RF21	2001-000258	R-CARBON:1.8KOHM,5%,1/8W,AA,TP,1.8X3.2M	
RF22	2001-000221	R-CARBON:1.2KOHM,5%,1/8W,AA,TP,1.8X3.2M	
RF23	2001-000554	R-CARBON:270OHM,5%,1/8W,AA,TP,1.8X3.2MM	
RF24	2003-001018	R-METAL OXIDE(S):220ohm,5%,2W,AF,TP,3.9x	
RF25	2001-000241	R-CARBON:1.5KOHM,5%,1/8W,AA,TP,1.8X3.2M	
RF26	2001-001179	R-CARBON(S):68KOHM,5%,1/2W,AA,TP,2.4X6.4	
RF27	2001-001179	R-CARBON(S):68KOHM,5%,1/2W,AA,TP,2.4X6.4	
RF28	2001-000241	R-CARBON:1.5KOHM,5%,1/8W,AA,TP,1.8X3.2M	
RF29	2001-001071	R-CARBON(S):12KOHM,5%,1/2W,AA,TP,2.4X6.4	
RF30	2001-000221	R-CARBON:1.2KOHM,5%,1/8W,AA,TP,1.8X3.2M	
RF31	2001-000221	R-CARBON:1.2KOHM,5%,1/8W,AA,TP,1.8X3.2M	
RF32	2003-000746	R-METAL OXIDE(S):56ohm,5%,2W,AF,TP,4x12m	
RF33	2001-001100	R-CARBON(S):2.7OHM,5%,1/2W,AA,TP,2.4X6.4	
RF34	2001-001100	R-CARBON(S):2.7OHM,5%,1/2W,AA,TP,2.4X6.4	
RF35	2003-000746	R-METAL OXIDE(S):56ohm,5%,2W,AF,TP,4x12m	
RF36	2003-001018	R-METAL OXIDE(S):220ohm,5%,2W,AF,TP,3.9x	
	AA39-20010B	LEAD CONNECTOR-ASSY;-YFH800-01,S,1P,500	

ASSY PCB POWER

* AA95-00743B ASSY PCB POWER:TSK3290FX/XAA,KS4A,34,-,

C407	2301-001268	C-FILM,PPF:33nf,5%,630V,TP,20x11x17,7.5	
C408	2303-000013	C-FILM,PPF:2.7nf,5%,1.6KV,TP,28.5x13.5x6	

Loc. No.	Code No.	Description ; Specification	Remark	Loc. No.	Code No.	Description ; Specification	Remark
C409	2306-000188	C-FILM,MPPF:330nF,5%,400V,TP,26x19.5x11,		C420	2201-000556	C-CERAMIC,DISC:0.47nF,10%,500V,Y5P,TP,5,	
C412	2306-001017	C-FILM,MPPF:680nF,5%,400V,TP,26x14.5x24mm		C421	2201-000556	C-CERAMIC,DISC:0.47nF,10%,500V,Y5P,TP,5,	
C413	2306-000324	C-FILM,MPPF:3.3nF,5%,1.6KV,TP,28.5x13.5x		C422	2201-000556	C-CERAMIC,DISC:0.47nF,10%,500V,Y5P,TP,5,	
C419	2306-000123	C-FILM,MPPF:100nF,5%,630V,BK,26x16.5x8.5		C423	2401-001655	C-AL:680uF,20%,25V,GP,TP,10x20,5	
C427	2303-000159	C-FILM,PPF:2.2nF,5%,1.6KV,BK,31x15.5x8.5		C424	2401-002597	C-AL:220uF,20%,35V,GP,TP,10x12.5,5	
C809	2306-000323	C-FILM,MPPF:2.2nF,5%,1.6KV,TP,28.5x15.5x		C425	2305-000470	C-FILM,MPEF:68nF,5%,100V,TP,-5mm	
C810	2401-000560	C-AL:1uF,20%,160V,GP,TP,6.3x11,5		C426	2202-002037	C-CERAMIC,MLC-AXIAL:100nF,80-20%,50V,Y5V	
C813	2401-003370	C-AL:47uF,20%,450V,GP,BK,16X35.5,7,		C428	2301-000232	C-FILM,PEF:3.3nF,5%,50V,TP,8.1x4.5x13mm,	
C814	2401-003190	C-AL:470uF,20%,450V,GP,BK,35x45,22,		C429	2301-000356	C-FILM,PEF:47nF,5%,50V,TP,7.5x4.0x6.5,5m	
C819	2401-002287	C-AL:470uF,20%,200V,WT,BK,25x40,10		C430	2401-001655	C-AL:680uF,20%,25V,GP,TP,10x20,5	
C820	2401-003024	C-AL:220uF,20%,200V,WT,TP,22x35,10		C431	2401-000302	C-AL:100uF,20%,25V,GP,TP,6.3x11,5	
C822	2401-000737	C-AL:2200uF,20%,50V,GP,TP,18x35,5,7		C440	2201-000291	C-CERAMIC,DISC:1nF,10%,500V,Y5P,TP,7.5x3	
CN801	3711-003052	CONNECTOR-HEADER-BOX,10P1R,2.5mm,STRAGH		C452	2301-000383	C-FILM,PEF:10nF,5%,50V,TP,6x7x3.2mm,5mm	
CN803	3710-001103	CONNECTOR-SOCKET:14P,1R,2.5mm,STRAIGHT,S		C454	2201-000599	C-CERAMIC,DISC:0.56nF,10%,500V,Y5P,TP,5,	
CN804	3710-001103	CONNECTOR-SOCKET:14P,1R,2.5mm,STRAIGHT,S		C803	2201-000315	C-CERAMIC,DISC:2.2nF,+80-20%,250V,Y5U,TP	
CX801S	2306-000318	C-FILM,MPPF:220nF,20%,250V,TP,-22.5mm		C804	2201-000119	C-CERAMIC,DISC:100nF,+80-20%,50V,Y5V,TP	
CX802S	2306-000318	C-FILM,MPPF:220nF,20%,250V,TP,-22.5mm		C805	2201-002076	C-CERAMIC,DISC:0.068nF,5%,1kV,SL,TP,8x4mm	
CX803S	2306-000112	C-FILM,MPPF:100nF,20%,250V,BK,-15mm		C806	2401-000360	C-AL:100uF,20%,50V,GP,TP,8x11.5,5	
CY801S	2201-000539	C-CERAMIC,DISC:4.7nF,20%,250V,Y5V,BK,16x		C808	2201-000292	C-CERAMIC,DISC:1nF,10%,50V,Y5P,TP,5x3.5,	
CY802S	2201-000539	C-CERAMIC,DISC:4.7nF,20%,250V,Y5V,BK,16x		C811	2201-000315	C-CERAMIC,DISC:2.2nF,+80-20%,250V,Y5U,TP	
D406	0402-000534	DIODE-RECTIFIER:RG10V,400V,1.2A,DO-201,T		C812	2201-000332	C-CERAMIC,DISC:2.2nF,20%,250V,Y5U,TP,9x4	
D804	0402-000250	DIODE-RECTIFIER:RG4C,1000V,1A,-		C816	2201-002041	C-CERAMIC,DISC:0.82nF,10%,2kV,Y5P,TP,9x5	
D806	0402-000549	DIODE-BRIDGE:RBV606,600V,6A,-,BK	H/SINK	C817	2301-001171	C-FILM,PPF:10nF,5%,400V,TP,20x6.5x13,7,5	
D817	0402-000233	DIODE-RECTIFIER:FML-G12S,200V,5A,-,-	H/SINK	C818	2201-000551	C-CERAMIC,DISC:0.47nF,10%,1kV,Y5P,TP,6.3	
D817	0402-000231	DIODE-RECTIFIER:FMG-G26S,600V,4A,TO-220F	H/SINK	C821	2201-000551	C-CERAMIC,DISC:0.47nF,10%,1kV,Y5P,TP,6.3	
D819	0402-000233	DIODE-RECTIFIER:FML-G12S,200V,5A,-,-		C824	2201-000556	C-CERAMIC,DISC:0.47nF,10%,500V,Y5P,TP,5,	
FP801S	3601-000300	FUSE-CARRIDGE:250V,6.3A,SLOW-BLOW,GLASS		C825	2401-000722	C-AL:2200uF,20%,25V,WT,TP,16x25,7,5	
IC301	1204-000517	IC-VERTICAL DEF.:LA7845,SIP,7P,-,PLASTIC	H/SINK	C826	2401-000722	C-AL:2200uF,20%,25V,WT,TP,16x25,7,5	
IC403	1202-000103	IC-VOLTAGE COMP.:393,DIP,8P,300MIL,DUAL,		C828	2401-000722	C-AL:2200uF,20%,25V,WT,TP,16x25,7,5	
IC801S	AA13-00018AIC-HYBRID:-,STR-F6656,LF1351,5PIN,-,-		C829	2401-001397	C-AL:470uF,20%,25V,GP,TP,10x16,5		
IC803S	AA13-00024AIC-HYBRID:-,TNY253P,-,8PIN,-,-		C833	2305-000412	C-FILM,MPEF:470nF,5%,63V,TP,-5mm		
L401	AA27-00057A COIL HORIZ. WIDTH:-,10mH,YL-9N 15x27.5 C		C834	2401-001840	C-AL:100uF,20%,16V,GP,TP,6.3x11,5		
L402	AA27-10004F COIL-CHOKE:-,56uH,K,-,2.5A,BK,-,DR12x15,		C835	2201-000556	C-CERAMIC,DISC:0.47nF,10%,500V,Y5P,TP,5,		
L403	AA27-00025A COIL-CHOKE:-,1MH,10%,,-,BK,-,12X20,14X2		C838	2401-001363	C-AL:470uF,20%,16V,GP,TP,10x12.5,5		
L404	AA27-00022A COIL-LINEARILITY:-,7.5UH,YL81 DR15X18 C:6		C839	2201-000551	C-CERAMIC,DISC:0.47nF,10%,1kV,Y5P,TP,6.3		
L405	AA27-40003P COIL-HORIZ.WIDTH:-,120uH/180uH,Th8x20,US		CS01	2301-001268	C-FILM,PPF:33nF,5%,630V,TP,20x11x17,7,5		
L812	AA27-10002L COIL-CHOKE:-,24UH,K,-,2A,-,24UH-K,10X10M		D301	0402-000546	DIODE-RECTIFIER:TVR10G,400V,1.0A,DO-41,T		
L815	AA27-10002L COIL-CHOKE:-,24UH,K,-,2A,-,24UH-K,10X10M		D401	0401-000005	DIODE-SWITCHING:1N4148,100V,200MA,DO-35,		
LS401	AA27-10002V COIL-CHOKE:-,6.3MH,K,-,500MA,-,NY632K(S)		D402	0401-000005	DIODE-SWITCHING:1N4148,100V,200MA,DO-35,		
LX801S	AA29-30001Z FILTER-LINE NOISE:-,10mH,2.8A,-,SQE3535		D403	0402-001105	DIODE-RECTIFIER:ERB43-04SV1,400V,1.0A,-,		
LX802S	AA29-30002D FILTER-LINE NOISE:-,10mH,2.8A,-,SQE-3535		D404	0402-000493	DIODE-RECTIFIER:1R5GU41,400V,1.5A,DO-15L		
NT801S	1404-001045 THERMISTOR-NTC:4.7OHM,15%,2900K,35.0MMW,T		D405	0402-000534	DIODE-RECTIFIER:RG10V,400V,1.2A,DO-201,T		
PC801S	0604-001038 PHOTO-COUPLER:TR,130-260%,200mW,DIP-4,ST		D408	0402-000540	DIODE-RECTIFIER:RU20A,600V,1.5A,-,TP		
PC802S	0604-001032 PHOTO-COUPLER:TR,170-260%,300mW,DIP-4,ST		D409	0402-000540	DIODE-RECTIFIER:RU20A,600V,1.5A,-,TP		
PT801S	1404-001026 THERMISTOR-PTC:7OHM,20%,290V,25A,-,ST		D410	0401-000005	DIODE-SWITCHING:1N4148,100V,200MA,DO-35,		
Q403	0505-000156 FET-SILICON:IRF620,N,200V,5A,0.8ohm,50W,		D411	0402-000546	DIODE-RECTIFIER:TVR10G,400V,1.0A,DO-41,T		
Q404	0505-001116 FET-SILICON:BUZ73A,N,200V,22A,0.6ohm,40W		D412	0401-000005	DIODE-SWITCHING:1N4148,100V,200MA,DO-35,		
Q405	0502-001175 TR-POWER:2SC5446,NPN,200000mW,TO-3PL,BK	H/SINK	D450	0402-000132	DIODE-RECTIFIER:1N4004,400V,1A,DO-41,TP		
Q405	0402-001296 DIODE-RECTIFIER:FMP-3FU,1.5KV,5A,TO-3PF,	H/SINK	D451	0402-000132	DIODE-RECTIFIER:1N4004,400V,1A,DO-41,TP		
Q801	1004-000101 IC-ECC:SE-140N,DIP,-,-,ST,-,PLASTIC,1		D801	0402-000532	DIODE-RECTIFIER:ERC13-08,800V,1.2A,DO-20		
R815	2003-002206 R-METAL OXIDE(S):27Kohm,5%,3W,AG,TP,6x16		D802	0402-000546	DIODE-RECTIFIER:TVR10G,400V,1.0A,DO-41,T		
R816	2003-002206 R-METAL OXIDE(S):27Kohm,5%,3W,AG,TP,6x16		D803	0402-000546	DIODE-RECTIFIER:TVR10G,400V,1.0A,DO-41,T		
RL801S	3501-001040 RELAY-POWER:12VDC,500mW,10A,1FORMA,15MS,5		D805	0402-000532	DIODE-RECTIFIER:ERC13-08,800V,1.2A,DO-20		
RL802S	3501-001053 RELAY-POWER:5VDC,530mW,10A,1FORMA,15MS,5		D807	0402-001111	DIODE-RECTIFIER:1N5397GP,600V,1.5A,DO-20		
RS01	2006-001081 R-CEMENT:82ohm,5%,5W,CJ,TP,14x10x27mm		D808	1405-000152	VARISTOR:560V,2500A,14x8.5mm,TP		
RS02	2006-001081 R-CEMENT:82ohm,5%,5W,CJ,TP,14x10x27mm		D811	1405-001030	VARISTOR:120V,2500A,14x8.5mm,TP		
SWS01	3409-000138 SWITCH-LEVER:30V,200mA,SP3T,NON SHORTING		D812	0403-000716	DIODE-ZENER:MTZJ4.7B,4.7V,4.55-4.8V,500m		
SWS02	3409-000138 SWITCH-LEVER:30V,200mA,SP3T,NON SHORTING		D813	0402-000534	DIODE-RECTIFIER:RG10V,400V,1.2A,DO-201,T		
T401	AA26-50001S TRANS-HORIZ.DRIVE:-,6.0mH,44uH,1.5uH,ST		D815	0403-001322	DIODE-ZENER:MTZJ8.2B,7.78-8.19V,500mW,DO		
T402	AA26-90002C TRANS-DUMMY:-,3.5mH,EER2834,130/1200,SI2		D816	0402-000132	DIODE-RECTIFIER:1N4004,400V,1A,DO-41,TP		
T444	AA26-00067A TRANS-FBT:FUJ-34C001(S),FUJ-34C001(S),1,		D820	0402-000132	DIODE-RECTIFIER:1N4004,400V,1A,DO-41,TP		
TS801S	AA26-00056A TRANS SWITCHING:-,-,AC90-260V,DC135V/2		D821	0402-000546	DIODE-RECTIFIER:TVR10G,400V,1.0A,DO-41,T		
TS801S	AA26-00055A TRANS SWITCHING:-,-,AC80-280V,-,-,4m		DS01	0402-000132	DIODE-RECTIFIER:1N4004,400V,1A,DO-41,TP		
C301	2301-000160 C-FILM,PEF:12nF,5%,50V,TP,11.0x6.0x9.0mm		DS02	0402-000132	DIODE-RECTIFIER:1N4004,400V,1A,DO-41,TP		
C302	2201-000132 C-CERAMIC,DISC:0.1nF,10%,500V,Y5P,TP,6.5		DZ301	0403-001329	DIODE-ZENER:MTZJ24B,22.61-23.77V,500mW,D		
C304	2401-000365 C-AL:100uF,20%,50V,WT,TP,10x12.5mm,		DZ302	0403-001329	DIODE-ZENER:MTZJ24B,22.61-23.77V,500mW,D		
C305	2401-000360 C-AL:100uF,20%,50V,GP,TP,8x11.5,5		DZ303	0403-001221	DIODE-ZENER:UZ39BSB,35.36-37.19V,500mW,D		
C306	2305-000285 C-FILM,MPEF:220nF,5%,100V,TP,10.5X5.5X15		DZ304	0403-000700	DIODE-ZENER:TZP33A,33V,31-35V,1W,DO-41,T		
C307	2305-000285 C-FILM,MPEF:220nF,5%,100V,TP,10.5X5.5X15		DZ305	0403-001325	DIODE-ZENER:MTZJ15C,14.35-15.09V,500mW,D		
C401	2301-000247 C-FILM,PEF:33nF,5%,50V,TP,8.1x4.5x13mm,5		DZ306	0403-000716	DIODE-ZENER:MTZJ4.7B,4.7V,4.55-4.8V,500m		
C402	2301-000213 C-FILM,PEF:220nF,5%,250V,TP,21.5x11,7,5		DZ307	0403-001330	DIODE-ZENER:MTZJ30A,26.99-28.39V,500mW,D		
C406	2401-000832 C-AL:220uF,20%,25V,GP,TP,8x11.5,5		DZ401	0403-001322	DIODE-ZENER:MTZJ8.2B,7.78-8.19V,500mW,DO		
C410	2301-000188 C-FILM,PEF:1nF,5%,100V,TP,10.5x12.5x6,5		DZ402	0403-001325	DIODE-ZENER:MTZJ15C,14.35-15.09V,500mW,D		
C411	2301-001143 C-FILM,PPF:56nF,5%,400V,TP,20x10x17,7,5		DZ403	0403-001140	DIODE-ZENER:RD10ESAB-T4,10V,9.19-10.30V,		
C416	2401-001527 C-AL:47uF,20%,250V,HR,TP,13x25mm,5m		DZ801	0403-001322	DIODE-ZENER:MTZJ8.2B,7.78-8.19V,500mW,DO		
C417	2401-000927 C-AL:22uF,20%,250V,GP,TP,13x20,5		DZ802	0403-000508	DIODE-ZENER:MTZJ5.6B,5.6V,5.45-5.73V,500		
C418	2201-000291 C-CERAMIC,DISC:1nF,10%,500V,Y5P,TP,7.5x3		DZ803	0403-001327	DIODE-ZENER:MTZJ18A,16.22-17.06V,500mW,D		

Loc. No.	Code No.	Description ; Specification	Remark
----------	----------	-----------------------------	--------

ASSY-PCB,NTSC MICOM

* AA95-00745AASSY-PCB,NTSC MICOM:-,TSK2790FX/XAA,KS4A

C901	2202-000121	C-CERAMIC,MLC-AXIAL:100pF,10%,50V,Y5P,TP	
C902	2301-000111	C-FILM,PEF:1.8nF,5%,50V,TP,6.5x3.0x5.5mm	
C903	2401-002144	C-AL:47uF,20%,16V,GP,TP,5x11,5	
C904	2305-000665	C-FILM,MPEF:100nF,5%,63V,TP,7.5x4.0x5.0mm	
C905	2202-000796	C-CERAMIC,MLC-AXIAL:1nF,10%,50V,Y5P,TP,3	
C906	2202-000796	C-CERAMIC,MLC-AXIAL:1nF,10%,50V,Y5P,TP,3	
C907	2401-001840	C-AL:100uF,20%,16V,GP,TP,6.3x11,5	
C908	2305-000665	C-FILM,MPEF:100nF,5%,63V,TP,7.5x4.0x5.0mm	
C910	2201-000193	C-CERAMIC,DISC:0.01nF,0.25pF,50V,NP0,TP	
C911	2201-000573	C-CERAMIC,DISC:0.047nF,5%,50V,NP0,TP,5x3	
C912	2401-001840	C-AL:100uF,20%,16V,GP,TP,6.3x11,5	
C913	2305-000665	C-FILM,MPEF:100nF,5%,63V,TP,7.5x4.0x5.0mm	
C914	2305-000665	C-FILM,MPEF:100nF,5%,63V,TP,7.5x4.0x5.0mm	
C915	2401-000027	C-AL:4.7uF,20%,50V,GP,TP,5x11,5	
C916	2401-001840	C-AL:100uF,20%,16V,GP,TP,6.3x11,5	
C917	2305-000665	C-FILM,MPEF:100nF,5%,63V,TP,7.5x4.0x5.0mm	
CN901	3711-003215	CONNECTOR-HEADER:NOWALL,18P,1R,2.5MM,ANG	
CN902	3711-003543	CONNECTOR-HEADER:NOWALL,16P,1R,2.54MM,AN	
D901	0401-000005	DIODE-SWITCHING:1N4148,100V,200MA,DO-35,	
D903	0401-000005	DIODE-SWITCHING:1N4148,100V,200MA,DO-35,	
DZ901	0403-000508	DIODE-ZENER:MTZJ5.6B,5.6V,5.45-5.73V,500	
DZ902	0403-000508	DIODE-ZENER:MTZJ5.6B,5.6V,5.45-5.73V,500	
DZ903	0403-000508	DIODE-ZENER:MTZJ5.6B,5.6V,5.45-5.73V,500	
DZ904	0403-000508	DIODE-ZENER:MTZJ5.6B,5.6V,5.45-5.73V,500	
DZ905	0403-000508	DIODE-ZENER:MTZJ5.6B,5.6V,5.45-5.73V,500	
DZ906	0403-000508	DIODE-ZENER:MTZJ5.6B,5.6V,5.45-5.73V,500	
IC901	AA13-00012A	IC-MCU:Z9037112PSC-OTP,OTP,ST,64kword	
IC902	1203-000515	IC-VOL. DETECTOR:7042,TO-92,3P,177MIL,PL	
L901	2901-000297	FILTER-EMI ON BOARD:-,3A,-,-,3.5x5,TP,-	
L902	2901-000297	FILTER-EMI ON BOARD:-,3A,-,-,3.5x5,TP,-	
L903	2701-000114	INDUCTOR-AXIAL:10uH,10%,2.5x3.4mm	
L906	2701-000114	INDUCTOR-AXIAL:10uH,10%,2.5x3.4mm	
L908	2901-000297	FILTER-EMI ON BOARD:-,3A,-,-,3.5x5,TP,-	
Q901	0501-000389	TR-SMALL SIGNAL:KSC815,NPN,400mW,TO-92,T	
Q902	0501-000389	TR-SMALL SIGNAL:KSC815,NPN,400mW,TO-92,T	
Q903	0501-000283	TR-SMALL SIGNAL:KSA539,PNP,400mW,TO-92,T	
Q904	0501-000389	TR-SMALL SIGNAL:KSC815,NPN,400mW,TO-92,T	
R901	2001-000734	R-CARBON:4.7KOHM,5%,1/8W,AA,TP,1.8X3.2MM	
R902	2001-000734	R-CARBON:4.7KOHM,5%,1/8W,AA,TP,1.8X3.2MM	
R903	2001-000734	R-CARBON:4.7KOHM,5%,1/8W,AA,TP,1.8X3.2MM	
R905	2001-000780	R-CARBON:470OHM,5%,1/8W,AA,TP,1.8X3.2MM	
R906	2001-000290	R-CARBON:10KOHM,5%,1/8W,AA,TP,1.8X3.2MM	
R907	2001-000734	R-CARBON:4.7KOHM,5%,1/8W,AA,TP,1.8X3.2MM	
R908	2001-000290	R-CARBON:10KOHM,5%,1/8W,AA,TP,1.8X3.2MM	
R909	2001-000786	R-CARBON:47KOHM,5%,1/8W,AA,TP,1.8X3.2MM	
R910	2001-000281	R-CARBON:100OHM,5%,1/8W,AA,TP,1.8X3.2MM	
R911	2001-000281	R-CARBON:100OHM,5%,1/8W,AA,TP,1.8X3.2MM	
R912	2001-000947	R-CARBON:7.5KOHM,5%,1/8W,AA,TP,1.8X3.2MM	
R913	2001-000947	R-CARBON:7.5KOHM,5%,1/8W,AA,TP,1.8X3.2MM	
R914	2001-000734	R-CARBON:4.7KOHM,5%,1/8W,AA,TP,1.8X3.2MM	
R915	2001-000241	R-CARBON:1.5KOHM,5%,1/8W,AA,TP,1.8X3.2MM	
R916	2001-000290	R-CARBON:10KOHM,5%,1/8W,AA,TP,1.8X3.2MM	
R917	2001-000281	R-CARBON:100OHM,5%,1/8W,AA,TP,1.8X3.2MM	
R918	2001-000241	R-CARBON:1.5KOHM,5%,1/8W,AA,TP,1.8X3.2MM	
R919	2001-000290	R-CARBON:10KOHM,5%,1/8W,AA,TP,1.8X3.2MM	
R920	2001-000780	R-CARBON:470OHM,5%,1/8W,AA,TP,1.8X3.2MM	
R921	2001-000290	R-CARBON:10KOHM,5%,1/8W,AA,TP,1.8X3.2MM	
R922	2001-000241	R-CARBON:1.5KOHM,5%,1/8W,AA,TP,1.8X3.2MM	
R923	2001-000734	R-CARBON:4.7KOHM,5%,1/8W,AA,TP,1.8X3.2MM	
R924	2001-000734	R-CARBON:4.7KOHM,5%,1/8W,AA,TP,1.8X3.2MM	
R925	2001-000734	R-CARBON:4.7KOHM,5%,1/8W,AA,TP,1.8X3.2MM	
R926	2001-000577	R-CARBON:2KOHM,5%,1/8W,AA,TP,1.8X3.2MM	
R927	2001-000577	R-CARBON:2KOHM,5%,1/8W,AA,TP,1.8X3.2MM	
R928	2001-000577	R-CARBON:2KOHM,5%,1/8W,AA,TP,1.8X3.2MM	
R930	2001-000429	R-CARBON:1KOHM,5%,1/8W,AA,TP,1.8X3.2MM	
R931	2001-000591	R-CARBON:3.3KOHM,5%,1/8W,AA,TP,1.8X3.2MM	
R932	2001-000290	R-CARBON:10KOHM,5%,1/8W,AA,TP,1.8X3.2MM	
R933	2001-000591	R-CARBON:3.3KOHM,5%,1/8W,AA,TP,1.8X3.2MM	
R934	2001-000429	R-CARBON:1KOHM,5%,1/8W,AA,TP,1.8X3.2MM	
R935	2001-000591	R-CARBON:3.3KOHM,5%,1/8W,AA,TP,1.8X3.2MM	
R936	2001-000290	R-CARBON:10KOHM,5%,1/8W,AA,TP,1.8X3.2MM	
R937	2001-000281	R-CARBON:100OHM,5%,1/8W,AA,TP,1.8X3.2MM	

Loc. No.	Code No.	Description ; Specification	Remark
----------	----------	-----------------------------	--------

R938	2001-000281	R-CARBON:100OHM,5%,1/8W,AA,TP,1.8X3.2MM	
R939	2001-000449	R-CARBON:2.2KOHM,5%,1/8W,AA,TP,1.8X3.2MM	
R940	2001-000449	R-CARBON:2.2KOHM,5%,1/8W,AA,TP,1.8X3.2MM	
R941	2001-000429	R-CARBON:1KOHM,5%,1/8W,AA,TP,1.8X3.2MM	
R942	2001-000734	R-CARBON:4.7KOHM,5%,1/8W,AA,TP,1.8X3.2MM	
R943	2001-001062	R-CARBON(S):10MOHM,5%,1/2W,AA,TP,2.4X6.4	
R944	2001-000864	R-CARBON:56KOHM,5%,1/8W,AA,TP,1.8X3.2MM	
R945	2001-000734	R-CARBON:4.7KOHM,5%,1/8W,AA,TP,1.8X3.2MM	
R946	2001-000281	R-CARBON:100OHM,5%,1/8W,AA,TP,1.8X3.2MM	
R947	2001-000734	R-CARBON:4.7KOHM,5%,1/8W,AA,TP,1.8X3.2MM	
R948	2001-000290	R-CARBON:10KOHM,5%,1/8W,AA,TP,1.8X3.2MM	
R949	2001-000780	R-CARBON:470OHM,5%,1/8W,AA,TP,1.8X3.2MM	
R950	2001-000429	R-CARBON:1KOHM,5%,1/8W,AA,TP,1.8X3.2MM	
R952	2001-000429	R-CARBON:1KOHM,5%,1/8W,AA,TP,1.8X3.2MM	
R953	2001-000429	R-CARBON:1KOHM,5%,1/8W,AA,TP,1.8X3.2MM	
R954	2001-000780	R-CARBON:470OHM,5%,1/8W,AA,TP,1.8X3.2MM	
R955	2001-000411	R-CARBON:18KOHM,5%,1/8W,AA,TP,1.8X3.2MM	
R956	2001-000290	R-CARBON:10KOHM,5%,1/8W,AA,TP,1.8X3.2MM	
R959	2001-000429	R-CARBON:1KOHM,5%,1/8W,AA,TP,1.8X3.2MM	
R960	2001-000281	R-CARBON:100OHM,5%,1/8W,AA,TP,1.8X3.2MM	
R961	2001-000008	R-CARBON:15KOHM,5%,1/8W,AA,TP,1.8X3.2MM	
R962	2001-000832	R-CARBON:510OHM,5%,1/8W,AA,TP,1.8X3.2MM	
X901	2801-003224	CRYSTAL-UNIT:32.768KHZ,20PPM,28-AA,Y,12.5	

ASSY-PCB,DOLBY

* AA95-00758AASSY-PCB,DOLBY:-,WS32W8HD,KS4A,PAL,-,-

IC601A	3711-002704	CONNECTOR-HEADER:NOWALL,6P,1R,2.5mm,ANGL	
CN602A	3711-002707	CONNECTOR-HEADER:NOWALL,9P,1R,2.5mm,ANGL	
C601	2203-000260	C-CERAMIC,CHIP:10nF,10%,50V,X7R,TP,2012	
C602	2401-000287	C-AL:100uF,20%,16V,WT,TP,6.3x11,5	
C603	2203-000938	C-CERAMIC,CHIP:0.47nF,5%,50V,NP0,TP,2012	
C604	2203-000142	C-CERAMIC,CHIP:1.5nF,10%,50V,X7R,TP,2012	
C605	2401-002235	C-AL:10uF,20%,16V,GP,TP,5x11mm,5mm	
C606	2203-000218	C-CERAMIC,CHIP:100nF,20%,50V,Y5V,TP,2012	
C607	2401-002235	C-AL:10uF,20%,16V,GP,TP,5x11mm,5mm	
C608	2401-000287	C-AL:100uF,20%,16V,WT,TP,6.3x11,5	
C609	2203-000938	C-CERAMIC,CHIP:0.47nF,5%,50V,NP0,TP,2012	
C610	2203-000142	C-CERAMIC,CHIP:1.5nF,10%,50V,X7R,TP,2012	
C611	2401-002235	C-AL:10uF,20%,16V,GP,TP,5x11mm,5mm	
C612	2203-000444	C-CERAMIC,CHIP:1nF,10%,50V,X7R,TP,2012,-	
C613	2305-000412	C-FILM,MPEF:470nF,5%,63V,TP,-,5mm	
C614	2203-000142	C-CERAMIC,CHIP:1.5nF,10%,50V,X7R,TP,2012	
C615	2203-000444	C-CERAMIC,CHIP:1nF,10%,50V,X7R,TP,2012,-	
C616	2305-000412	C-FILM,MPEF:470nF,5%,63V,TP,-,5mm	
C617	2203-000142	C-CERAMIC,CHIP:1.5nF,10%,50V,X7R,TP,2012	
C618	2203-002442	C-CERAMIC,CHIP:330nF,+80-20%,25V,Y5V,TP	
C619	2203-000142	C-CERAMIC,CHIP:1.5nF,10%,50V,X7R,TP,2012	
C620	2203-000938	C-CERAMIC,CHIP:0.47nF,5%,50V,NP0,TP,2012	
C621	2401-000287	C-AL:100uF,20%,16V,WT,TP,6.3x11,5	
C622	2203-000595	C-CERAMIC,CHIP:0.22nF,5%,50V,NP0,TP,2012	
C623	2401-002235	C-AL:10uF,20%,16V,GP,TP,5x11mm,5mm	
C624	2401-002235	C-AL:10uF,20%,16V,GP,TP,5x11mm,5mm	
C625	2401-000287	C-AL:100uF,20%,16V,WT,TP,6.3x11,5	
C626	2203-000218	C-CERAMIC,CHIP:100nF,20%,50V,Y5V,TP,2012	
C627	2401-002235	C-AL:10uF,20%,16V,GP,TP,5x11mm,5mm	
C628	2203-000218	C-CERAMIC,CHIP:100nF,20%,50V,Y5V,TP,2012	
IC601	1204-001198	IC-DECODER:DPL3519A-A2,PLCC,68P,-,PLASTI	
IC602	1201-000541	IC-OP AMP:062,SOP,8P,153MIL,DUAL,6V/mV,P	
L601	2901-000297	FILTER-EMI ON BOARD:-,3A,-,-,3.5x5,TP,-	
L602	2901-000297	FILTER-EMI ON BOARD:-,3A,-,-,3.5x5,TP,-	
L603	2901-000297	FILTER-EMI ON BOARD:-,3A,-,-,3.5x5,TP,-	
L604	2901-000297	FILTER-EMI ON BOARD:-,3A,-,-,3.5x5,TP,-	
R601	2007-000468	R-CHIP:1KOHM,5%,1/10W,DA,TP,2012	
R602	2007-000290	R-CHIP:100OHM,5%,1/10W,DA,TP,2012	
R603	2007-000290	R-CHIP:100OHM,5%,1/10W,DA,TP,2012	
R604	2007-000290	R-CHIP:100OHM,5%,1/10W,DA,TP,2012	
R605	2007-000290	R-CHIP:100OHM,5%,1/10W,DA,TP,2012	
R606	2007-000290	R-CHIP:100OHM,5%,1/10W,DA,TP,2012	
R607	2007-000290	R-CHIP:100OHM,5%,1/10W,DA,TP,2012	
R608	2007-000290	R-CHIP:100OHM,5%,1/10W,DA,TP,2012	
R609	2007-000872	R-CHIP:4.7KOHM,5%,1/10W,DA,TP,2012	
R610	2007-000872	R-CHIP:4.7KOHM,5%,1/10W,DA,TP,2012	
R611	2007-001243	R-CHIP:91KOHM,5%,1/10W,DA,TP,2012	

Loc. No.	Code No.	Description ; Specification	Remark	Loc. No.	Code No.	Description ; Specification	Remark
R612	2007-000282	R-CHIP;100KOHM,5%,1/10W,DA,TP,2012		CD58	2203-000218	C-CERAMIC,CHIP:100nF,20%,50V,Y5V,TP,2012	
R613	2007-001243	R-CHIP;91KOHM,5%,1/10W,DA,TP,2012		CD59	2401-001496	C-AL:47uF,20%,16V,GP,TP,5x7,5	
R614	2007-000282	R-CHIP;100KOHM,5%,1/10W,DA,TP,2012		CD60	2401-001496	C-AL:47uF,20%,16V,GP,TP,5x7,5	
R615	2007-000029	R-CHIP:00HM,5%,1/10W,DA,TP,2012		CD62	2203-000218	C-CERAMIC,CHIP:100nF,20%,50V,Y5V,TP,2012	
R617	2007-000029	R-CHIP:00HM,5%,1/10W,DA,TP,2012		CD63	2203-000218	C-CERAMIC,CHIP:100nF,20%,50V,Y5V,TP,2012	
	AA41-00162B	PCB-DOLBY;WS32WHD,FR-4,2L,B,1.6T,180x245		CD64	2401-001496	C-AL:47uF,20%,16V,GP,TP,5x7,5	
REMOCON				CD66	2401-001496	C-AL:47uF,20%,16V,GP,TP,5x7,5	
	* AA59-00147B	REMOCON;-;TM63,D4,50,L/GRAY,S/S,E/X,-;		CD67	2203-000218	C-CERAMIC,CHIP:100nF,20%,50V,Y5V,TP,2012	
ASSY-POWER,CORD				CD68	2401-001496	C-AL:47uF,20%,16V,GP,TP,5x7,5	
	* AA96-20129A	ASSY-POWER,CORD;-;EP2/YES,H/C300,ME301P,		CD69	2203-000218	C-CERAMIC,CHIP:100nF,20%,50V,Y5V,TP,2012	
	AA39-10007Y	POWER-CORD;-;EP2/YES,SPT-2 18AWGx2C,2.4m		CD71	2401-001496	C-AL:47uF,20%,16V,GP,TP,5x7,5	
ASSY CABINET FRONT				CD72	2203-000218	C-CERAMIC,CHIP:100nF,20%,50V,Y5V,TP,2012	
	* AA91-00302J	ASSY CABINET FRONT;-;3290F KS4A BEST,(SP		CD74	2203-000218	C-CERAMIC,CHIP:100nF,20%,50V,Y5V,TP,2012	
CF+GRI	6003-001026	SCREW-TAPTITE;RH,+;B,M4,L15,ZPC(BLK),SWR		CD75	2203-000634	C-CERAMIC,CHIP:0.022nF,5%,50V,NPO,TP,201	
KCON+CF	6003-001019	SCREW-TAPTITE;RH,+;B,M4,L12,ZPC(BLK),SWR		CD80	2203-000353	C-CERAMIC,CHIP:0.15nF,10%,50V,NPO,TP,201	
LED+CF	6003-001019	SCREW-TAPTITE;RH,+;B,M4,L12,ZPC(BLK),SWR		CD81	2203-000218	C-CERAMIC,CHIP:100nF,20%,50V,Y5V,TP,2012	
SPK+CF	6003-001019	SCREW-TAPTITE;RH,+;B,M4,L12,ZPC(BLK),SWR		CD84	2203-000218	C-CERAMIC,CHIP:100nF,20%,50V,Y5V,TP,2012	
	AA64-00635B	INDICATOR-LED;-;29A7,6G,ACRYL,-,SMOG,-		CD85	2203-000839	C-CERAMIC,CHIP:0.39nF,5%,50V,NPO,TP,2012	
	AA64-00758G	CABINET FRONT;TSK3290F(34A7),S907P+D908P		CD86	2203-000218	C-CERAMIC,CHIP:100nF,20%,50V,Y5V,TP,2012	
	AA64-60445Y	INLAY AV;34A7,PS SHEET,-,BLK,-,KS4A S		CD87	2203-000218	C-CERAMIC,CHIP:100nF,20%,50V,Y5V,TP,2012	
	AA64-60446C	INLAY—PC;JACK:29A6,L/GRAY,PS SHEET,TO.5		CD88	2203-000634	C-CERAMIC,CHIP:0.022nF,5%,50V,NPO,TP,201	
	AA64-70124C	BADGE-BRAND;AL,R2500,SILVER,L=70,SAMSUNG		CD89	2203-000634	C-CERAMIC,CHIP:0.022nF,5%,50V,NPO,TP,201	
	AA65-00011C	CLAMP-WIRE-ALL MODEL,NYLON 66,V2,NTR,25M		CD90	2203-000218	C-CERAMIC,CHIP:100nF,20%,50V,Y5V,TP,2012	
	AA91-00335A	ASSY HOLDER SPK;-;PP8ohm/15W,blk,housin		CD91	2203-000218	C-CERAMIC,CHIP:100nF,20%,50V,Y5V,TP,2012	
	AA61-00343A	SPRING-CS;-;SUS304,-,-,-,-,0.4,0D6,H12,N		DD01	0403-001016	DIODE-ZENER;RLZ6.2B,6.2V,5.96-6.27V,400m	
	AA63-00220D	GRILLE-SPK.A;34A7,DB004P;HIPS,-,G4309,HB		DD02	0403-001016	DIODE-ZENER;RLZ6.2B,6.2V,5.96-6.27V,400m	
	AA64-00630B	KNOB-CONTROL;-;29A7,AL,ABS,HB,GRAY		DD03	0401-000133	DIODE-SWITCHING;RLS4148,100V,200mA,SOD-8	
	AA64-00632B	KNOB-POWER;-;29A7,AL,ABS,HB,GRAY		FD00	2909-001051	FILTER-LC;6MHz,6MHz,0.8dB,TP,5dB/6MHz,30	
	AA64-00634B	WINDOW-REMOCON;-;29A7,-,PC,V0,VIOLET,-		FD01	2909-001051	FILTER-LC;6MHz,6MHz,0.8dB,TP,5dB/6MHz,30	
				FD02	2909-001052	FILTER-LC;3.58MHz,3MHz,1.5dB,TP,11dB/1.0	
				FD03	2909-001051	FILTER-LC;6MHz,6MHz,0.8dB,TP,5dB/6MHz,30	
				△ IC01	1204-001556	IC-SEPARATOR;UPD64082GF,OFF,100P,-,PLAST	
				△ IC02	1105-001172	IC-DRAM;416C1204,1Mx16BIT,TSOP,44P,400	
				△ IC04	1203-001419	IC-VOLTAGE REGULATOR;4931,TO-252,3P6.6x	
				JD01	2007-000029	R-CHIP:00HM,5%,1/10W,DA,TP,2012	
				JD04	2007-000029	R-CHIP:00HM,5%,1/10W,DA,TP,2012	
				LD03	2702-001096	INDUCTOR-RADIAL;33uH,10%,6x4mm	
				LD05	2702-001095	INDUCTOR-RADIAL;18uH,10%,6x4mm	
				LD06	2702-001095	INDUCTOR-RADIAL;18uH,10%,6x4mm	
				LD07	2901-000297	FILTER-EMI ON BOARD;-;3A,-,-,3.5x5,TP-	
				LD09	2702-001093	INDUCTOR-RADIAL;4.7uH,10%,6x4mm	
				QD10	0501-000344	TR-SMALL SIGNAL;KSC1623-G,NPN,200mW,SOT-	
				QD11	0501-000280	TR-SMALL SIGNAL;KSA1182,PNP,150mW,SOT-23	
				QD12	0501-000280	TR-SMALL SIGNAL;KSA1182,PNP,150mW,SOT-23	
				QD13	0501-000344	TR-SMALL SIGNAL;KSC1623-G,NPN,200mW,SOT-	
				QD14	0501-000280	TR-SMALL SIGNAL;KSA1182,PNP,150mW,SOT-23	
				QD15	0501-000280	TR-SMALL SIGNAL;KSA1182,PNP,150mW,SOT-23	
				QD16	0501-000280	TR-SMALL SIGNAL;KSA1182,PNP,150mW,SOT-23	
				QD17	0501-000344	TR-SMALL SIGNAL;KSC1623-G,NPN,200mW,SOT-	
				QD18	0501-000280	TR-SMALL SIGNAL;KSA1182,PNP,150mW,SOT-23	
				QD19	0501-000344	TR-SMALL SIGNAL;KSC1623-G,NPN,200mW,SOT-	
				QD20	0501-000280	TR-SMALL SIGNAL;KSA1182,PNP,150mW,SOT-23	
				QD21	0501-000344	TR-SMALL SIGNAL;KSC1623-G,NPN,200mW,SOT-	
				QD22	0501-000280	TR-SMALL SIGNAL;KSA1182,PNP,150mW,SOT-23	
				QD23	0501-000344	TR-SMALL SIGNAL;KSC1623-G,NPN,200mW,SOT-	
				QD24	0501-000344	TR-SMALL SIGNAL;KSC1623-G,NPN,200mW,SOT-	
				QD25	0501-000280	TR-SMALL SIGNAL;KSA1182,PNP,150mW,SOT-23	
				QD26	0501-000344	TR-SMALL SIGNAL;KSC1623-G,NPN,200mW,SOT-	
				QD27	0501-000344	TR-SMALL SIGNAL;KSC1623-G,NPN,200mW,SOT-	
				QD28	0501-000280	TR-SMALL SIGNAL;KSA1182,PNP,150mW,SOT-23	
				QD40	0501-000344	TR-SMALL SIGNAL;KSC1623-G,NPN,200mW,SOT-	
				QD41	0501-000344	TR-SMALL SIGNAL;KSC1623-G,NPN,200mW,SOT-	
				RD00	2007-000290	R-CHIP;100OHM,5%,1/10W,DA,TP,2012	
CON01	3711-002707	CONNECTOR-HEADER;NOWALL,9P,1R,2.5mm,ANGL		RD01	2007-000290	R-CHIP;100OHM,5%,1/10W,DA,TP,2012	
CON02	3711-002703	CONNECTOR-HEADER;NOWALL,5P,1R,2.5mm,ANGL		RD02	2007-000030	R-CHIP;560OHM,5%,1/10W,DA,TP,2012	
	2801-000199	CRYSTAL-UNIT;20MHz,50ppm,28-AAA,16pF,50o		RD03	2007-000290	R-CHIP;100OHM,5%,1/10W,DA,TP,2012	
CD10	2401-001496	C-AL:47uF,20%,16V,GP,TP,5x7,5		RD04	2007-000586	R-CHIP;22KOHM,5%,1/10W,DA,TP,2012	
CD11	2203-000218	C-CERAMIC,CHIP:100nF,20%,50V,Y5V,TP,2012		RD05	2007-001141	R-CHIP;7.5KOHM,5%,1/10W,DA,TP,2012	
CD12	2401-002464	C-AL:47uF,20%,16V,BP,TP,8x11.5,5		RD06	2007-000468	R-CHIP;1KOHM,5%,1/10W,DA,TP,2012	
CD18	2401-001914	C-AL:1uF,20%,50V,BP,TP,5x11.5		RD07	2007-000468	R-CHIP;1KOHM,5%,1/10W,DA,TP,2012	
CD20	2203-000218	C-CERAMIC,CHIP:100nF,20%,50V,Y5V,TP,2012		RD08	2007-000030	R-CHIP;560OHM,5%,1/10W,DA,TP,2012	
CD21	2203-000218	C-CERAMIC,CHIP:100nF,20%,50V,Y5V,TP,2012		RD09	2007-000981	R-CHIP;5.6KOHM,5%,1/10W,DA,TP,2012	
CD22	2203-001035	C-CERAMIC,CHIP:5.6nF,10%,50V,X7R,TP,2012		RD10	2007-000290	R-CHIP;100OHM,5%,1/10W,DA,TP,2012	
CD23	2401-000598	C-AL:1uF,20%,50V,GP,TP,4x7,5		RD11	2007-000290	R-CHIP;100OHM,5%,1/10W,DA,TP,2012	
CD24	2401-000455	C-AL:10uF,20%,35V,GP,TP,4x7mm,5mm		RD12	2007-000586	R-CHIP;22KOHM,5%,1/10W,DA,TP,2012	
CD40	2301-000111	C-FILM,PEF;1.8nF,5%,50V,TP,6.5x3.0x5.5mm		RD13	2007-001141	R-CHIP;7.5KOHM,5%,1/10W,DA,TP,2012	
CD41	2203-000218	C-CERAMIC,CHIP:100nF,20%,50V,Y5V,TP,2012		RD14	2007-000308	R-CHIP;100HM,5%,1/10W,DA,TP,2012	
CD42	2203-000218	C-CERAMIC,CHIP:100nF,20%,50V,Y5V,TP,2012					
CD43	2203-000218	C-CERAMIC,CHIP:100nF,20%,50V,Y5V,TP,2012					
CD44	2203-000218	C-CERAMIC,CHIP:100nF,20%,50V,Y5V,TP,2012					
CD45	2401-000455	C-AL:10uF,20%,35V,GP,TP,4x7mm,5mm					
CD46	2203-000218	C-CERAMIC,CHIP:100nF,20%,50V,Y5V,TP,2012					
CD47	2401-000455	C-AL:10uF,20%,35V,GP,TP,4x7mm,5mm					
CD50	2203-000218	C-CERAMIC,CHIP:100nF,20%,50V,Y5V,TP,2012					
CD51	2203-000218	C-CERAMIC,CHIP:100nF,20%,50V,Y5V,TP,2012					
CD52	2203-000218	C-CERAMIC,CHIP:100nF,20%,50V,Y5V,TP,2012					
CD53	2203-000218	C-CERAMIC,CHIP:100nF,20%,50V,Y5V,TP,2012					
CD54	2203-000218	C-CERAMIC,CHIP:100nF,20%,50V,Y5V,TP,2012					
CD55	2203-000218	C-CERAMIC,CHIP:100nF,20%,50V,Y5V,TP,2012					
CD56	2203-000218	C-CERAMIC,CHIP:100nF,20%,50V,Y5V,TP,2012					
CD57	2401-001496	C-AL:47uF,20%,16V,GP,TP,5x7,5					

Loc. No.	Code No.	Description ; Specification	Remark
RD15	2007-000468	R-CHIP:1KOHM,5%,1/10W,DA,TP,2012	
RD16	2007-000030	R-CHIP:560OHM,5%,1/10W,DA,TP,2012	
RD17	2007-000981	R-CHIP:5.6KOHM,5%,1/10W,DA,TP,2012	
RD18	2007-000290	R-CHIP:100OHM,5%,1/10W,DA,TP,2012	
RD19	2007-000030	R-CHIP:560OHM,5%,1/10W,DA,TP,2012	
RD20	2007-001092	R-CHIP:620OHM,5%,1/10W,DA,TP,2012	
RD21	2007-000572	R-CHIP:220OHM,5%,1/10W,DA,TP,2012	
RD22	2007-000468	R-CHIP:1KOHM,5%,1/10W,DA,TP,2012	
RD23	2007-000493	R-CHIP:2.2KOHM,5%,1/10W,DA,TP,2012	
RD24	2007-000941	R-CHIP:47KOHM,5%,1/10W,DA,TP,2012	
RD25	2007-000565	R-CHIP:220KOHM,5%,1/10W,DA,TP,2012	
RD26	2007-000931	R-CHIP:470OHM,5%,1/10W,DA,TP,2012	
RD27	2007-000872	R-CHIP:4.7KOHM,5%,1/10W,DA,TP,2012	
RD37	2007-001092	R-CHIP:620OHM,5%,1/10W,DA,TP,2012	
RD38	2007-000290	R-CHIP:100OHM,5%,1/10W,DA,TP,2012	
RD39	2007-000468	R-CHIP:1KOHM,5%,1/10W,DA,TP,2012	
RD41	2007-000297	R-CHIP:10KOHM,1%,1/10W,DA,TP,2012	
RD43	2007-000868	R-CHIP:4.7KOHM,1%,1/10W,DA,TP,2012	
RD50	2007-000290	R-CHIP:100OHM,5%,1/10W,DA,TP,2012	
RD51	2007-000468	R-CHIP:1KOHM,5%,1/10W,DA,TP,2012	
RD59	2007-000282	R-CHIP:100KOHM,5%,1/10W,DA,TP,2012	
RD62	2007-000308	R-CHIP:100OHM,5%,1/10W,DA,TP,2012	
RD63	2007-000493	R-CHIP:2.2KOHM,5%,1/10W,DA,TP,2012	
RD64	2007-000468	R-CHIP:1KOHM,5%,1/10W,DA,TP,2012	
RD65	2007-000468	R-CHIP:1KOHM,5%,1/10W,DA,TP,2012	
RD66	2007-000738	R-CHIP:30KOHM,5%,1/10W,DA,TP,2012	
RD67	2007-000710	R-CHIP:3.9KOHM,5%,1/10W,DA,TP,2012	
RD68	2007-000468	R-CHIP:1KOHM,5%,1/10W,DA,TP,2012	
RD69	2007-000931	R-CHIP:470OHM,5%,1/10W,DA,TP,2012	
RD70	2007-000931	R-CHIP:470OHM,5%,1/10W,DA,TP,2012	
RD71	2007-000468	R-CHIP:1KOHM,5%,1/10W,DA,TP,2012	
RD72	2007-000931	R-CHIP:470OHM,5%,1/10W,DA,TP,2012	
RD73	2007-000290	R-CHIP:100OHM,5%,1/10W,DA,TP,2012	
RD74	2007-000931	R-CHIP:470OHM,5%,1/10W,DA,TP,2012	
RD75	2007-000290	R-CHIP:100OHM,5%,1/10W,DA,TP,2012	
RD76	2007-000290	R-CHIP:100OHM,5%,1/10W,DA,TP,2012	
RD77	2007-000290	R-CHIP:100OHM,5%,1/10W,DA,TP,2012	
RD78	2007-000290	R-CHIP:100OHM,5%,1/10W,DA,TP,2012	
RD79	2007-000290	R-CHIP:100OHM,5%,1/10W,DA,TP,2012	
RD82	2007-000308	R-CHIP:100OHM,5%,1/10W,DA,TP,2012	
RD83	2007-000493	R-CHIP:2.2KOHM,5%,1/10W,DA,TP,2012	
RD84	2007-000030	R-CHIP:560OHM,5%,1/10W,DA,TP,2012	
RD85	2007-000981	R-CHIP:5.6KOHM,5%,1/10W,DA,TP,2012	
RD86	2007-000931	R-CHIP:470OHM,5%,1/10W,DA,TP,2012	
RD87	2007-000931	R-CHIP:470OHM,5%,1/10W,DA,TP,2012	
RD88	2007-000210	R-CHIP:1.1KOHM,5%,1/10W,DA,TP,2012	
RD89	2007-000781	R-CHIP:330OHM,5%,1/10W,DA,TP,2012	
RD90	2007-000290	R-CHIP:100OHM,5%,1/10W,DA,TP,2012	
RD91	2007-000931	R-CHIP:470OHM,5%,1/10W,DA,TP,2012	
RD92	2007-000290	R-CHIP:100OHM,5%,1/10W,DA,TP,2012	
RD93	2007-000029	R-CHIP:0OHM,5%,1/10W,DA,TP,2012	
RD94	2007-000029	R-CHIP:0OHM,5%,1/10W,DA,TP,2012	
RD95	2007-000468	R-CHIP:1KOHM,5%,1/10W,DA,TP,2012	
RD96	2007-000931	R-CHIP:470OHM,5%,1/10W,DA,TP,2012	
RD97	2007-000931	R-CHIP:470OHM,5%,1/10W,DA,TP,2012	
RD98	2007-000029	R-CHIP:0OHM,5%,1/10W,DA,TP,2012	

ASSY CABINET

* AA90-00251DASSY CABINET;34A7,TSK3290FX/XAA

AV+CF	6002-000522	SCREW-TAPPING:TH,+,2,M4,L15,ZPC(BLK),SWR
BRAC+CF	6003-001026	SCREW-TAPTITE:RH,+,B,M4,L15,ZPC(BLK),SWR
CB+CF	AA60-10050T	SCREW-TAPPING:RH,+,2S,M4,L20,ZPC(BLK),SW
CB+TER	AA60-10050T	SCREW-TAPPING:RH,+,2S,M4,L20,ZPC(BLK),SW
CRT+CF	AA60-10050V	SCREW-ASSY:WC,HH,+,M6,L30,SWRCH18A,ZPC(S
DOME+CF	AA60-10050A	SCREW-ASSY:WPRH,+,M4,L25,SWRCH18A,-,ZPC
PCB	AA64-01291B	INLAY COVER:D4,PVC-SHEET,TO,4.94 V0,BLK
PCB+CF	6003-001026	SCREW-TAPTITE:RH,+,B,M4,L15,ZPC(BLK),SWR
PORT+CF	AA60-10050T	SCREW-TAPPING:RH,+,2S,M4,L20,ZPC(BLK),SW
TER+RC	AA60-10050A	SCREW-TAPPING:RH,+,2S,M4,L20,ZPC(BLK),SW
	AA91-00087B	ASSY HOLDER SPK,-,ABS,HB,GRAY,SV704P,29A
	AA64-00759D	CABINET BACK:34A7,-,HIPS,V0,BLK
	AA65-30113A	CLAMP-D,COIL-NYLON 66,V2,BLK,TVI 25-29,-
	AA65-30008A	CLAMP-CORD,PE,HB,BLK,-,-,-

Loc. No.	Code No.	Description ; Specification	Remark
AA61-00306B		SUPPORT-CRT:34A7,HIPS,HB,NTR,-,-,-	
AA61-10053A		BRACKET-CRATER:-,7277,STS304,TO,5,-,-,-	
AA61-20285A		HOLDER-BOX-,3456,PP,VO,WHT,-	
AA63-60001X		SPACER-FELT:FELT,TO,5,BLK,330X15,-,-	
AA63-60004G		SPACER-GUM,CRT:NTR,RUBBER,T3.0,GRY,-,-,-	
AA64-60421C		INLAY COVER:-,SEA,PS,TO,3,BLK,-,-	

ASSY CHASSIS PART

* AA90-00252BASSY CHASSIS PART:KS4A,34A7

AA61-20271A HOLDER-CHASSIS:-,CS823V,HIPS,VO,GRY,-

ASSY TERMINAL BOARD

* AA91-00323BASSY TERMINAL BOARD:-,HIPS,VO,BLK,KS4A S

C701	2202-000145	C-CERAMIC,MLC-AXIAL:120pF,10%,50V,Y5P,TP
C702	2202-000145	C-CERAMIC,MLC-AXIAL:120pF,10%,50V,Y5P,TP
CN701A	AA39-20055B	LEAD CONNECTOR-ASSY:-,YBNH025-06,67096-0
CN702A	AA39-20069D	LEAD CONNECTOR-ASSY:-,YBNH025-05,67096-0
JA701A	AA63-40258A	TERMINAL-SPEAKER:-,ABS,BLK,4P,4
JA702A	3716-000229	TERMINAL-BLOCK:-,2P,13mm,-,-
JA703A	3722-001439	JACK-RCA,2P,3.5mm,NI,BLK,-
L701	2701-001040	INDUCTOR-AXIAL:10uH,10%,4.5x14mm
L702	2701-001040	INDUCTOR-AXIAL:10uH,10%,4.5x14mm
L703	2701-001040	INDUCTOR-AXIAL:10uH,10%,4.5x14mm
L704	2701-000115	INDUCTOR-AXIAL:10uH,10%,3x7mm
L705	2701-000115	INDUCTOR-AXIAL:10uH,10%,3x7mm
R701	2001-000028	R-CARBON(S):100OHM,5%,1/2W,AA,TP,2.4X6.4
R702	2001-000028	R-CARBON(S):100OHM,5%,1/2W,AA,TP,2.4X6.4
TBA+DB	6006-001095	SCREW-ASSY TAPT:WPBH,+,M4,L12,ZPC(YEL)
	AA63-00165B	TERMINAL-BOARD ANT,-,HIPS VO BLK,-,D4,29
	AA41-00167B	PCB-DOLBY JACK:WS32W8HD,FR-1,1L,B,1.6T,2
	AA64-00897D	INLAY BACK:D4,DOLBY SEA,PS SHEET,TO,5,BL

ASSY HOLDER SPK

* AA91-00338AASSY HOLDER SPK:-,PP,8ohm/15W,blk,housin

AA94-02060A ASSY CRT-A80LRW350X99,+380MG,34,ITC,-,
AA03-00119A CRT-COLOR:A80LRW350X99(D),A80LRW350X99,3

ASSY-PCB,NTSC F-BOX

* AA95-00394DASSY-PCB,NTSC F-BOX:-,TSK2790FX/XAA,KS4A

CN01	3711-003543	CONNECTOR-HEADER:NOWALL,16P,1R,2.54MM,AN
CN02	3711-003543	CONNECTOR-HEADER:NOWALL,16P,1R,2.54MM,AN
CN03	3711-001283	CONNECTOR-HEADER:NOWALL,14P,1R,2.5mm,ANG
CN04	3711-001283	CONNECTOR-HEADER:NOWALL,14P,1R,2.5mm,ANG
DX01	2801-003811	CRYSTAL-UNIT:24.576MHZ,20PPM,28-AAM,30PF
CC01	2203-002392	C-CERAMIC,CHIP:220nF,+80-20%,50V,Y5V,TP
CC02	2203-000979	C-CERAMIC,CHIP:47nF,10%,50V,X7R,TP,2012
CC03	2203-002392	C-CERAMIC,CHIP:220nF,+80-20%,50V,Y5V,TP
CC04	2203-002392	C-CERAMIC,CHIP:220nF,+80-20%,50V,Y5V,TP
CC05	2203-000142	C-CERAMIC,CHIP:1.5nF,10%,50V,X7R,TP,2012
CC06	2203-000839	C-CERAMIC,CHIP:0.39nF,5%,50V,NP0,TP,2012
CC07	2203-000218	C-CERAMIC,CHIP:100nF,20%,50V,Y5V,TP,2012
CC08	2203-000979	C-CERAMIC,CHIP:47nF,10%,50V,X7R,TP,2012
CC09	2203-000142	C-CERAMIC,CHIP:1.5nF,10%,50V,X7R,TP,2012
CC10	2203-000218	C-CERAMIC,CHIP:100nF,20%,50V,Y5V,TP,2012
CC11	2203-000218	C-CERAMIC,CHIP:100nF,20%,50V,Y5V,TP,2012
CC12	2203-000218	C-CERAMIC,CHIP:100nF,20%,50V,Y5V,TP,2012
CC13	2203-000218	C-CERAMIC,CHIP:100nF,20%,50V,Y5V,TP,2012
CC14	2203-000218	C-CERAMIC,CHIP:100nF,20%,50V,Y5V,TP,2012
CC15	2203-001172	C-CERAMIC,CHIP:0.006nF,0.25pF,50V,NP0,TP
CC16	2203-001172	C-CERAMIC,CHIP:0.006nF,0.25pF,50V,NP0,TP
CC17	2401-002042	C-AL:220uF,20%,10V,GP,TP,6.3x11.5
CC18	2203-000979	C-CERAMIC,CHIP:47nF,10%,50V,X7R,TP,2012

Electrical Parts List

Loc. No.	Code No.	Description ; Specification	Remark	Loc. No.	Code No.	Description ; Specification	Remark
CC19	2401-002144	C-AL:47uF,20%,16V,GP,TP,5x11,5		CR53	2007-000941	R-CHIP:47KOHM,5%,1/10W,DA,TP,2012	
CC20	2203-002392	C-CERAMIC,CHIP:220nF,+80-20%,50V,Y5V,TP,		CR54	2007-000941	R-CHIP:47KOHM,5%,1/10W,DA,TP,2012	
CC21	2203-000142	C-CERAMIC,CHIP:1.5nF,10%,50V,X7R,TP,2012		CR55	2007-000931	R-CHIP:4700HM,5%,1/10W,DA,TP,2012	
CC22	2203-000839	C-CERAMIC,CHIP:0.39nF,5%,50V,NPO,TP,2012		CX01	2801-003432	CRYSTAL-UNIT:20.25MHZ,30PPM,28-AAM,13PF,	
CC23	2203-000444	C-CERAMIC,CHIP:1nF,10%,50V,X7R,TP,2012,-		DC01	2401-003102	C-AL:100uF,20%,10V,GP,TP,5x11,5	
CC24	2203-002442	C-CERAMIC,CHIP:330nF,+80-20%,25V,Y5V,TP,		DC02	2203-000218	C-CERAMIC,CHIP:100nF,20%,50V,Y5V,TP,2012	
CC25	2203-002442	C-CERAMIC,CHIP:330nF,+80-20%,25V,Y5V,TP,		DC03	2203-000218	C-CERAMIC,CHIP:100nF,20%,50V,Y5V,TP,2012	
CC26	2203-002442	C-CERAMIC,CHIP:330nF,+80-20%,25V,Y5V,TP,		DC04	2203-000218	C-CERAMIC,CHIP:100nF,20%,50V,Y5V,TP,2012	
CC27	2203-002442	C-CERAMIC,CHIP:330nF,+80-20%,25V,Y5V,TP,		DC05	2203-000218	C-CERAMIC,CHIP:100nF,20%,50V,Y5V,TP,2012	
CC28	2401-002144	C-AL:47uF,20%,16V,GP,TP,5x11,5		DC06	2203-000142	C-CERAMIC,CHIP:1.5nF,10%,50V,X7R,TP,2012	
CC29	2203-002392	C-CERAMIC,CHIP:220nF,+80-20%,50V,Y5V,TP,		DC07	2203-000239	C-CERAMIC,CHIP:0.1nF,5%,50V,NPO,TP,2012	
CC30	2203-000142	C-CERAMIC,CHIP:1.5nF,10%,50V,X7R,TP,2012		DC08	2203-000218	C-CERAMIC,CHIP:100nF,20%,50V,Y5V,TP,2012	
CC31	2203-000839	C-CERAMIC,CHIP:0.39nF,5%,50V,NPO,TP,2012		DC09	2203-000555	C-CERAMIC,CHIP:0.02nF,5%,50V,NPO,TP,2012	
CC32	2401-002042	C-AL:220uF,20%,10V,GP,TP,6,3x11,5		DC10	2203-000218	C-CERAMIC,CHIP:100nF,20%,50V,Y5V,TP,2012	
CC33	2203-000979	C-CERAMIC,CHIP:47nF,10%,50V,X7R,TP,2012		DC11	2203-000555	C-CERAMIC,CHIP:0.02nF,5%,50V,NPO,TP,2012	
CC35	2203-002442	C-CERAMIC,CHIP:330nF,+80-20%,25V,Y5V,TP,		DC12	2203-000555	C-CERAMIC,CHIP:0.02nF,5%,50V,NPO,TP,2012	
CC36	2203-002442	C-CERAMIC,CHIP:330nF,+80-20%,25V,Y5V,TP,		DC13	2203-000218	C-CERAMIC,CHIP:100nF,20%,50V,Y5V,TP,2012	
CC37	2203-000683	C-CERAMIC,CHIP:0.027nF,5%,50V,NPO,TP,201		DC14	2203-000218	C-CERAMIC,CHIP:100nF,20%,50V,Y5V,TP,2012	
CC38	2203-000683	C-CERAMIC,CHIP:0.027nF,5%,50V,NPO,TP,201		DC15	2203-000218	C-CERAMIC,CHIP:100nF,20%,50V,Y5V,TP,2012	
CC39	2203-000683	C-CERAMIC,CHIP:0.027nF,5%,50V,NPO,TP,201		DC16	2401-002144	C-AL:47uF,20%,16V,GP,TP,5x11,5	
CC40	2203-000683	C-CERAMIC,CHIP:0.027nF,5%,50V,NPO,TP,201		DC17	2401-003102	C-AL:100uF,20%,10V,GP,TP,5x11,5	
CC41	2203-001002	C-CERAMIC,CHIP:0.047nF,5%,50V,NPO,TP,201		DC18	2203-000218	C-CERAMIC,CHIP:100nF,20%,50V,Y5V,TP,2012	
CC42	2401-002144	C-AL:47uF,20%,16V,GP,TP,5x11,5		DC19	2401-003102	C-AL:100uF,20%,10V,GP,TP,5x11,5	
CC43	2203-000218	C-CERAMIC,CHIP:100nF,20%,50V,Y5V,TP,2012		DC20	2203-000218	C-CERAMIC,CHIP:100nF,20%,50V,Y5V,TP,2012	
CC44	2401-002144	C-AL:47uF,20%,16V,GP,TP,5x11,5		DC21	2203-001088	C-CERAMIC,CHIP:0.005nF,0.25pF,50V,NPO,TP	
CC45	2401-000480	C-AL:10uF,20%,50V,GP,TP,5x11,5		DC22	2203-001088	C-CERAMIC,CHIP:0.005nF,0.25pF,50V,NPO,TP	
CC47	2203-000218	C-CERAMIC,CHIP:100nF,20%,50V,Y5V,TP,2012		DC23	2203-000922	C-CERAMIC,CHIP:470nF,+80-20%,25V,Y5V,TP,	
CC48	2203-005384	C-CERAMIC,CHIP:4700nF,+80-20%,10V,Y5V,TP		DC24	2203-000938	C-CERAMIC,CHIP:0.47nF,5%,50V,NPO,TP,2012	
CC49	2203-005384	C-CERAMIC,CHIP:4700nF,+80-20%,10V,Y5V,TP		DC25	2203-000444	C-CERAMIC,CHIP:1nF,10%,50V,X7R,TP,2012,-	
CC50	2203-005384	C-CERAMIC,CHIP:4700nF,+80-20%,10V,Y5V,TP		DC26	2203-000444	C-CERAMIC,CHIP:1nF,10%,50V,X7R,TP,2012,-	
CD01	0401-000133	DIODE-SWITCHING:RLS4148,100V,200mA,SOD-8		DC27	2401-000603	C-AL:1uF,20%,50V,GP,TP,5x11,5	
CD02	0401-000133	DIODE-SWITCHING:RLS4148,100V,200mA,SOD-8		DC28	2203-000218	C-CERAMIC,CHIP:100nF,20%,50V,Y5V,TP,2012	
CF01	2901-001120	FILTER-EMI SMD:25V,100mA,-,-,3.2x1.6x1,T		DC29	2203-000444	C-CERAMIC,CHIP:1nF,10%,50V,X7R,TP,2012,-	
CL05	2702-001094	INDUCTOR-RADIAL:10uH,10%,6x4mm		DC30	2203-000444	C-CERAMIC,CHIP:1nF,10%,50V,X7R,TP,2012,-	
CL06	2901-000297	FILTER-EMI ON BOARD:-,3A,-,-,3.5x5,TP,-		DC31	2203-000444	C-CERAMIC,CHIP:1nF,10%,50V,X7R,TP,2012,-	
CL07	2702-001094	INDUCTOR-RADIAL:10uH,10%,6x4mm		DC32	2203-000218	C-CERAMIC,CHIP:100nF,20%,50V,Y5V,TP,2012	
CQ01	0501-000344	TR-SMALL SIGNAL:KSC1623-G,NPN,200mW,SOT-		DC33	2203-000218	C-CERAMIC,CHIP:100nF,20%,50V,Y5V,TP,2012	
CQ02	0501-000344	TR-SMALL SIGNAL:KSC1623-G,NPN,200mW,SOT-		DC34	2203-001002	C-CERAMIC,CHIP:0.047nF,5%,50V,NPO,TP,201	
CQ03	0501-000344	TR-SMALL SIGNAL:KSC1623-G,NPN,200mW,SOT-		DC35	2203-000218	C-CERAMIC,CHIP:100nF,20%,50V,Y5V,TP,2012	
CQ04	0501-000344	TR-SMALL SIGNAL:KSC1623-G,NPN,200mW,SOT-		DC36	2203-000239	C-CERAMIC,CHIP:0.1nF,5%,50V,NPO,TP,2012	
CQ05	0501-000344	TR-SMALL SIGNAL:KSC1623-G,NPN,200mW,SOT-		DC37	2203-000142	C-CERAMIC,CHIP:1.5nF,10%,50V,X7R,TP,2012	
CR01	2007-001166	R-CHIP:75OHM,5%,1/10W,DA,TP,2012		DC38	2203-000239	C-CERAMIC,CHIP:0.1nF,5%,50V,NPO,TP,2012	
CR02	2007-001166	R-CHIP:75OHM,5%,1/10W,DA,TP,2012		DC39	2401-000603	C-AL:1uF,20%,50V,GP,TP,5x11,5	
CR03	2007-001166	R-CHIP:75OHM,5%,1/10W,DA,TP,2012		DC40	2203-000218	C-CERAMIC,CHIP:100nF,20%,50V,Y5V,TP,2012	
CR04	2007-001166	R-CHIP:75OHM,5%,1/10W,DA,TP,2012		DC41	2401-000480	C-AL:10uF,20%,50V,GP,TP,5x11,5	
CR05	2007-001166	R-CHIP:75OHM,5%,1/10W,DA,TP,2012		DC42	2401-000480	C-AL:10uF,20%,50V,GP,TP,5x11,5	
CR06	2007-001166	R-CHIP:75OHM,5%,1/10W,DA,TP,2012		DC43	2401-000480	C-AL:10uF,20%,50V,GP,TP,5x11,5	
CR07	2007-001166	R-CHIP:75OHM,5%,1/10W,DA,TP,2012		DD01	0401-000133	DIODE-SWITCHING:RLS4148,100V,200mA,SOD-8	
CR08	2007-001166	R-CHIP:75OHM,5%,1/10W,DA,TP,2012		DD02	0401-000133	DIODE-SWITCHING:RLS4148,100V,200mA,SOD-8	
CR09	2007-000290	R-CHIP:100OHM,5%,1/10W,DA,TP,2012		DD03	0403-000689	DIODE-ZENER:DTZ5.1A,5.1V,4.84-5.04V,200m	
CR10	2007-000290	R-CHIP:100OHM,5%,1/10W,DA,TP,2012		DD06	0403-000689	DIODE-ZENER:DTZ5.1A,5.1V,4.84-5.04V,200m	
CR12	2007-000947	R-CHIP:47OHM,5%,1/10W,DA,TP,2012		DD07	0401-000133	DIODE-SWITCHING:RLS4148,100V,200mA,SOD-8	
CR13	2007-000947	R-CHIP:47OHM,5%,1/10W,DA,TP,2012		DL01	2702-001094	INDUCTOR-RADIAL:10uH,10%,6x4mm	
CR14	2007-000947	R-CHIP:47OHM,5%,1/10W,DA,TP,2012		DL02	2702-001094	INDUCTOR-RADIAL:10uH,10%,6x4mm	
CR19	2007-000290	R-CHIP:100OHM,5%,1/10W,DA,TP,2012		DL03	2702-001094	INDUCTOR-RADIAL:10uH,10%,6x4mm	
CR20	2007-000290	R-CHIP:100OHM,5%,1/10W,DA,TP,2012		DL04	2702-001094	INDUCTOR-RADIAL:10uH,10%,6x4mm	
CR22	2007-000290	R-CHIP:100OHM,5%,1/10W,DA,TP,2012		DL05	2702-001094	INDUCTOR-RADIAL:10uH,10%,6x4mm	
CR26	2007-000290	R-CHIP:100OHM,5%,1/10W,DA,TP,2012		DL06	2702-001094	INDUCTOR-RADIAL:10uH,10%,6x4mm	
CR27	2007-000290	R-CHIP:100OHM,5%,1/10W,DA,TP,2012		DL07	2702-001092	INDUCTOR-RADIAL:2.2uH,10%,6x4mm	
CR28	2007-000468	R-CHIP:1KOHM,5%,1/10W,DA,TP,2012		DQ01	0501-000283	TR-SMALL SIGNAL:KSA539,PNP,400mW,TO-92,T	
CR29	2007-000493	R-CHIP:2.2KOHM,5%,1/10W,DA,TP,2012		DR01	2007-000290	R-CHIP:100OHM,5%,1/10W,DA,TP,2012	
CR30	2007-000030	R-CHIP:560OHM,5%,1/10W,DA,TP,2012		DR02	2007-000290	R-CHIP:100OHM,5%,1/10W,DA,TP,2012	
CR31	2007-000642	R-CHIP:270OHM,5%,1/10W,DA,TP,2012		DR03	2007-001055	R-CHIP:6.2KOHM,5%,1/10W,DA,TP,2012	
CR32	2007-000290	R-CHIP:100OHM,5%,1/10W,DA,TP,2012		DR04	2007-000401	R-CHIP:150OHM,5%,1/10W,DA,TP,2012	
CR33	2007-000290	R-CHIP:100OHM,5%,1/10W,DA,TP,2012		DR05	2007-000290	R-CHIP:100OHM,5%,1/10W,DA,TP,2012	
CR35	2007-000300	R-CHIP:10KOHM,5%,1/10W,DA,TP,2012		DR06	2007-000290	R-CHIP:100OHM,5%,1/10W,DA,TP,2012	
CR37	2007-000290	R-CHIP:100OHM,5%,1/10W,DA,TP,2012		DR07	2007-000401	R-CHIP:150OHM,5%,1/10W,DA,TP,2012	
CR38	2007-000290	R-CHIP:100OHM,5%,1/10W,DA,TP,2012		DR08	2007-000290	R-CHIP:100OHM,5%,1/10W,DA,TP,2012	
CR41	2007-000029	R-CHIP:00HM,5%,1/10W,DA,TP,2012		DR09	2007-000290	R-CHIP:100OHM,5%,1/10W,DA,TP,2012	
CR45	2007-000290	R-CHIP:100OHM,5%,1/10W,DA,TP,2012		DR10	2007-000401	R-CHIP:150OHM,5%,1/10W,DA,TP,2012	
CR46	2007-000468	R-CHIP:1KOHM,5%,1/10W,DA,TP,2012		DR11	2007-000290	R-CHIP:100OHM,5%,1/10W,DA,TP,2012	
CR47	2007-000941	R-CHIP:47KOHM,5%,1/10W,DA,TP,2012		DR12	2007-000290	R-CHIP:100OHM,5%,1/10W,DA,TP,2012	
CR48	2007-000941	R-CHIP:47KOHM,5%,1/10W,DA,TP,2012		DR13	2007-000380	R-CHIP:13KOHM,5%,1/10W,DA,TP,2012	
CR49	2007-000931	R-CHIP:4700HM,5%,1/10W,DA,TP,2012		DR14	2007-000300	R-CHIP:10KOHM,5%,1/10W,DA,TP,2012	
CR50	2007-000941	R-CHIP:47KOHM,5%,1/10W,DA,TP,2012		DR15	2007-000401	R-CHIP:150OHM,5%,1/10W,DA,TP,2012	
CR51	2007-000941	R-CHIP:47KOHM,5%,1/10W,DA,TP,2012		DR16	2007-000290	R-CHIP:100OHM,5%,1/10W,DA,TP,2012	
CR52	2007-000931	R-CHIP:4700HM,5%,1/10W,DA,TP,2012		DR17	2007-000290	R-CHIP:100OHM,5%,1/10W,DA,TP,2012	

Loc. No.	Code No.	Description ; Specification	Remark	Loc. No.	Code No.	Description ; Specification	Remark
DR18	2007-001208	R-CHIP:82KOHM,5%,1/10W,DA,TP,2012		PC40	2203-000218	C-CERAMIC,CHIP:100nF,20%,50V,Y5V,TP,2012	
DR19	2007-000947	R-CHIP:47OHM,5%,1/10W,DA,TP,2012		PC41	2401-002144	C-AL:47uF,20%,16V,GP,TP5x11,5	
DR20	2007-000518	R-CHIP:2.7KOHM,5%,1/10W,DA,TP,2012		PC42	2203-000218	C-CERAMIC,CHIP:100nF,20%,50V,Y5V,TP,2012	
DR22	2007-000872	R-CHIP:4.7KOHM,5%,1/10W,DA,TP,2012		PC43	2401-002144	C-AL:47uF,20%,16V,GP,TP5x11,5	
DR23	2007-000941	R-CHIP:47KOHM,5%,1/10W,DA,TP,2012		PC44	2401-002144	C-AL:47uF,20%,16V,GP,TP5x11,5	
DR24	2007-000001	R-CHIP:68KOHM,5%,1/10W,DA,TP,2012		PC45	2203-000218	C-CERAMIC,CHIP:100nF,20%,50V,Y5V,TP,2012	
DR25	2007-000653	R-CHIP:27KOHM,5%,1/10W,DA,TP,2012		PC46	2401-002144	C-AL:47uF,20%,16V,GP,TP5x11,5	
DR26	2007-000300	R-CHIP:10KOHM,5%,1/10W,DA,TP,2012		PC52	2203-002392	C-CERAMIC,CHIP:220nF,+80-20%,50V,Y5V,TP,	
DR27	2007-001224	R-CHIP:9.1KOHM,5%,1/10W,DA,TP,2012		PC53	2203-000979	C-CERAMIC,CHIP:47nF,10%,50V,X7R,TP,2012	
DR28	2007-000300	R-CHIP:10KOHM,5%,1/10W,DA,TP,2012		PC54	2203-002392	C-CERAMIC,CHIP:220nF,+80-20%,50V,Y5V,TP,	
DR29	2007-000468	R-CHIP:1KOHM,5%,1/10W,DA,TP,2012		PC55	2203-002442	C-CERAMIC,CHIP:330nF,+80-20%,25V,Y5V,TP,	
DR30	2007-000468	R-CHIP:1KOHM,5%,1/10W,DA,TP,2012		PC56	2203-002442	C-CERAMIC,CHIP:330nF,+80-20%,25V,Y5V,TP,	
DR31	2007-000468	R-CHIP:1KOHM,5%,1/10W,DA,TP,2012		PC57	2203-002442	C-CERAMIC,CHIP:330nF,+80-20%,25V,Y5V,TP,	
DR32	2007-000822	R-CHIP:390OHM,5%,1/10W,DA,TP,2012		PC58	2203-002442	C-CERAMIC,CHIP:330nF,+80-20%,25V,Y5V,TP,	
DR33	2007-000468	R-CHIP:1KOHM,5%,1/10W,DA,TP,2012		PC78	2203-000218	C-CERAMIC,CHIP:100nF,20%,50V,Y5V,TP,2012	
DR34	2007-000290	R-CHIP:100OHM,5%,1/10W,DA,TP,2012		PIC01	1204-001598	IC-VIDEO PROCESS:VPC3230D-B2,QFP,80P,-,P	
DR35	2007-000872	R-CHIP:4.7KOHM,5%,1/10W,DA,TP,2012		PIC02	1109-001144	IC-FIFO:81V04160,2x256Kx8Bit,TQFP,100P	
DR36	2007-000931	R-CHIP:470OHM,5%,1/10W,DA,TP,2012		PIC04	1203-001419	IC-VOLTAGE REGULATOR:4931,TO-252,3P,6.6x	
DR37	2007-000872	R-CHIP:4.7KOHM,5%,1/10W,DA,TP,2012		PIC05	1203-001419	IC-VOLTAGE REGULATOR:4931,TO-252,3P,6.6x	
DR38	2007-000267	R-CHIP:1.8KOHM,5%,1/10W,DA,TP,2012		PL01	2702-001094	INDUCTOR-RADIAL:10uH,10%,6x4mm	
DR40	2007-000290	R-CHIP:100OHM,5%,1/10W,DA,TP,2012		PL02	2901-000297	FILTER-EMI ON BOARD:-,3A,-,-,3.5x5,TP,-	
DR41	2007-000290	R-CHIP:100OHM,5%,1/10W,DA,TP,2012		PL03	2901-000297	FILTER-EMI ON BOARD:-,3A,-,-,3.5x5,TP,-	
DR42	2007-000290	R-CHIP:100OHM,5%,1/10W,DA,TP,2012		PR01	2007-001166	R-CHIP:75OHM,5%,1/10W,DA,TP,2012	
DR43	2007-000290	R-CHIP:100OHM,5%,1/10W,DA,TP,2012		PR02	2007-001166	R-CHIP:75OHM,5%,1/10W,DA,TP,2012	
DR44	2007-000872	R-CHIP:4.7KOHM,5%,1/10W,DA,TP,2012		PR03	2007-000290	R-CHIP:100OHM,5%,1/10W,DA,TP,2012	
DR46	2007-000493	R-CHIP:2.2KOHM,5%,1/10W,DA,TP,2012		PR04	2007-000290	R-CHIP:100OHM,5%,1/10W,DA,TP,2012	
DR48	2007-000297	R-CHIP:10KOHM,1%,1/10W,DA,TP,2012		PR06	2007-000947	R-CHIP:47OHM,5%,1/10W,DA,TP,2012	
△ IC01	1204-001598	IC-VIDEO PROCESS:VPC3230D-B2,QFP,80P,-,P		PR07	2007-000947	R-CHIP:47OHM,5%,1/10W,DA,TP,2012	
△ IC02	AA13-00095A	IC-ASIC:-,SDP01,0FP,128P,PROSCAN		PR08	2007-000947	R-CHIP:47OHM,5%,1/10W,DA,TP,2012	
△ IC03	1105-001035	IC-DRAM:416S1120,1Mx16Bit,TSOP,50P,400		PR09	2007-000029	R-CHIP:00HM,5%,1/10W,DA,TP,2012	
△ IC04	1105-001035	IC-DRAM:416S1120,1Mx16Bit,TSOP,50P,400		PR10	2007-000029	R-CHIP:00HM,5%,1/10W,DA,TP,2012	
△ IC05	1002-001045	IC-D/A CONVERTER:9280,8BIT,PLCC,68P,-,-		PR15	2007-000029	R-CHIP:00HM,5%,1/10W,DA,TP,2012	
△ IC06	1204-001372	IC-HOR./VER.PROCESSO:SDA9361,QFP,44P,-,P		PR16	2007-000029	R-CHIP:00HM,5%,1/10W,DA,TP,2012	
△ IC07	1204-001550	IC-VIDEO PROCESS:CXA2101AQ,QFP,80P,-,PLA		PR17	2007-000029	R-CHIP:00HM,5%,1/10W,DA,TP,2012	
△ IC11	1203-001419	IC-VOLTAGE REGULATOR:4931,TO-252,3P,6.6x		PR18	2007-000029	R-CHIP:00HM,5%,1/10W,DA,TP,2012	
△ IC12	1203-001140	IC-VOL. DETECTOR:7039,TO-92P,3P,-,PLASTI		PR19	2007-000029	R-CHIP:00HM,5%,1/10W,DA,TP,2012	
△ IC13	1203-001359	IC-POS.FIXED REG.:1086,TO-263,3P,15.8MM		PR20	2007-000290	R-CHIP:100OHM,5%,1/10W,DA,TP,2012	
△ IC14	1202-000001	IC-VOLTAGE COMP.:7533,TO-92,3P,-,SINGLE,		PX01	2801-003432	CRYSTAL-UNIT:20.25MHZ,30PPM,28-AAM,13PF,	
PC01	2203-002392	C-CERAMIC,CHIP:220nF,+80-20%,50V,Y5V,TP,		SC01	2203-000218	C-CERAMIC,CHIP:100nF,20%,50V,Y5V,TP,2012	
PC02	2203-000142	C-CERAMIC,CHIP:1.5nF,10%,50V,X7R,TP,2012		SC02	2203-000218	C-CERAMIC,CHIP:100nF,20%,50V,Y5V,TP,2012	
PC03	2203-000839	C-CERAMIC,CHIP:0.39nF,5%,50V,NPO,TP,2012		SC03	2203-000218	C-CERAMIC,CHIP:100nF,20%,50V,Y5V,TP,2012	
PC04	2203-000218	C-CERAMIC,CHIP:100nF,20%,50V,Y5V,TP,2012		SC04	2203-000218	C-CERAMIC,CHIP:100nF,20%,50V,Y5V,TP,2012	
PC05	2203-000979	C-CERAMIC,CHIP:47nF,10%,50V,X7R,TP,2012		SC05	2203-000218	C-CERAMIC,CHIP:100nF,20%,50V,Y5V,TP,2012	
PC06	2203-000142	C-CERAMIC,CHIP:1.5nF,10%,50V,X7R,TP,2012		SC06	2203-000218	C-CERAMIC,CHIP:100nF,20%,50V,Y5V,TP,2012	
PC07	2203-000218	C-CERAMIC,CHIP:100nF,20%,50V,Y5V,TP,2012		SC07	2401-002144	C-AL:47uF,20%,16V,GP,TP5x11,5	
PC08	2203-000218	C-CERAMIC,CHIP:100nF,20%,50V,Y5V,TP,2012		SC08	2203-000218	C-CERAMIC,CHIP:100nF,20%,50V,Y5V,TP,2012	
PC09	2203-000218	C-CERAMIC,CHIP:100nF,20%,50V,Y5V,TP,2012		SC09	2203-000218	C-CERAMIC,CHIP:100nF,20%,50V,Y5V,TP,2012	
PC10	2203-000218	C-CERAMIC,CHIP:100nF,20%,50V,Y5V,TP,2012		SC10	2203-000218	C-CERAMIC,CHIP:100nF,20%,50V,Y5V,TP,2012	
PC11	2203-000218	C-CERAMIC,CHIP:100nF,20%,50V,Y5V,TP,2012		SC11	2203-000218	C-CERAMIC,CHIP:100nF,20%,50V,Y5V,TP,2012	
PC12	2203-001172	C-CERAMIC,CHIP:0.006nF,0.25pF,50V,NPO,TP		SC12	2401-002144	C-AL:47uF,20%,16V,GP,TP5x11,5	
PC13	2203-001172	C-CERAMIC,CHIP:0.006nF,0.25pF,50V,NPO,TP		SC13	2203-000218	C-CERAMIC,CHIP:100nF,20%,50V,Y5V,TP,2012	
PC14	2401-002042	C-AL:220uF,20%,10V,GP,TP,6.3x11,5		SC16	2401-002144	C-AL:47uF,20%,16V,GP,TP5x11,5	
PC15	2203-000979	C-CERAMIC,CHIP:47nF,10%,50V,X7R,TP,2012		SC17	2203-000218	C-CERAMIC,CHIP:100nF,20%,50V,Y5V,TP,2012	
PC16	2401-002144	C-AL:47uF,20%,16V,GP,TP5x11,5		SC18	2203-000218	C-CERAMIC,CHIP:100nF,20%,50V,Y5V,TP,2012	
PC17	2203-002392	C-CERAMIC,CHIP:220nF,+80-20%,50V,Y5V,TP,		SC19	2203-000218	C-CERAMIC,CHIP:100nF,20%,50V,Y5V,TP,2012	
PC18	2203-000142	C-CERAMIC,CHIP:1.5nF,10%,50V,X7R,TP,2012		SC20	2203-000218	C-CERAMIC,CHIP:100nF,20%,50V,Y5V,TP,2012	
PC19	2203-000839	C-CERAMIC,CHIP:0.39nF,5%,50V,NPO,TP,2012		SC21	2203-000218	C-CERAMIC,CHIP:100nF,20%,50V,Y5V,TP,2012	
PC20	2203-000444	C-CERAMIC,CHIP:1nF,10%,50V,X7R,TP,2012,-		SC22	2203-000218	C-CERAMIC,CHIP:100nF,20%,50V,Y5V,TP,2012	
PC21	2203-002442	C-CERAMIC,CHIP:330nF,+80-20%,25V,Y5V,TP,		SC23	2401-002144	C-AL:47uF,20%,16V,GP,TP5x11,5	
PC22	2203-002442	C-CERAMIC,CHIP:330nF,+80-20%,25V,Y5V,TP,		SC24	2203-000218	C-CERAMIC,CHIP:100nF,20%,50V,Y5V,TP,2012	
PC23	2401-002144	C-AL:47uF,20%,16V,GP,TP5x11,5		SC25	2203-000218	C-CERAMIC,CHIP:100nF,20%,50V,Y5V,TP,2012	
PC24	2203-002392	C-CERAMIC,CHIP:220nF,+80-20%,50V,Y5V,TP,		SC26	2203-000218	C-CERAMIC,CHIP:100nF,20%,50V,Y5V,TP,2012	
PC25	2203-000142	C-CERAMIC,CHIP:1.5nF,10%,50V,X7R,TP,2012		SC27	2203-000218	C-CERAMIC,CHIP:100nF,20%,50V,Y5V,TP,2012	
PC26	2203-000839	C-CERAMIC,CHIP:0.39nF,5%,50V,NPO,TP,2012		SC28	2203-000218	C-CERAMIC,CHIP:100nF,20%,50V,Y5V,TP,2012	
PC27	2401-002042	C-AL:220uF,20%,10V,GP,TP,6.3x11,5		SC29	2203-000218	C-CERAMIC,CHIP:100nF,20%,50V,Y5V,TP,2012	
PC28	2203-000979	C-CERAMIC,CHIP:47nF,10%,50V,X7R,TP,2012		SC30	2401-003102	C-AL:100uF,20%,10V,GP,TP5x11,5	
PC29	2203-000218	C-CERAMIC,CHIP:100nF,20%,50V,Y5V,TP,2012		SC31	2203-000218	C-CERAMIC,CHIP:100nF,20%,50V,Y5V,TP,2012	
PC30	2203-000218	C-CERAMIC,CHIP:100nF,20%,50V,Y5V,TP,2012		SC32	2401-003102	C-AL:100uF,20%,10V,GP,TP5x11,5	
PC31	2203-000218	C-CERAMIC,CHIP:100nF,20%,50V,Y5V,TP,2012		SC33	2203-000218	C-CERAMIC,CHIP:100nF,20%,50V,Y5V,TP,2012	
PC32	2203-000218	C-CERAMIC,CHIP:100nF,20%,50V,Y5V,TP,2012		SC34	2203-000218	C-CERAMIC,CHIP:100nF,20%,50V,Y5V,TP,2012	
PC33	2203-000218	C-CERAMIC,CHIP:100nF,20%,50V,Y5V,TP,2012		SC35	2401-000603	C-AL:1uF,20%,50V,GP,TP5x11,5	
PC34	2203-000218	C-CERAMIC,CHIP:100nF,20%,50V,Y5V,TP,2012		SC37	2203-000218	C-CERAMIC,CHIP:100nF,20%,50V,Y5V,TP,2012	
PC35	2203-000218	C-CERAMIC,CHIP:100nF,20%,50V,Y5V,TP,2012		SC38	2203-000218	C-CERAMIC,CHIP:100nF,20%,50V,Y5V,TP,2012	
PC36	2203-000218	C-CERAMIC,CHIP:100nF,20%,50V,Y5V,TP,2012		SC39	2401-003102	C-AL:100uF,20%,10V,GP,TP5x11,5	
PC37	2203-000218	C-CERAMIC,CHIP:100nF,20%,50V,Y5V,TP,2012		SC40	2203-000239	C-CERAMIC,CHIP:0.1nF,5%,50V,NPO,TP,2012	
PC38	2203-000218	C-CERAMIC,CHIP:100nF,20%,50V,Y5V,TP,2012		SL01	2007-000493	R-CHIP:2.2KOHM,5%,1/10W,DA,TP,2012	
PC39	2203-000218	C-CERAMIC,CHIP:100nF,20%,50V,Y5V,TP,2012		SL02	2901-000297	FILTER-EMI ON BOARD:-,3A,-,-,3.5x5,TP,-	

Electrical Parts List

Loc. No.	Code No.	Description ; Specification	Remark	Loc. No.	Code No.	Description ; Specification	Remark
SL03	2702-001094	INDUCTOR-RADIAL:10uH,10%,6x4mm		YC54	2203-000218	C-CERAMIC,CHIP:100nF,20%,50V,Y5V,TP,2012	
SL04	2702-001094	INDUCTOR-RADIAL:10uH,10%,6x4mm		YC55	2203-000218	C-CERAMIC,CHIP:100nF,20%,50V,Y5V,TP,2012	
SL06	2901-000297	FILTER-EMI ON BOARD:-,3A,-,3.5x5,TP,-		YC56	2203-000218	C-CERAMIC,CHIP:100nF,20%,50V,Y5V,TP,2012	
SR01	2007-000572	R-CHIP:2200HM,5%,1/10W,DA,TP,2012		YC57	2401-002144	C-AL:47uF,20%,16V,GP,TP5x11,5	
SR02	2007-000572	R-CHIP:2200HM,5%,1/10W,DA,TP,2012		YC58	2203-000218	C-CERAMIC,CHIP:100nF,20%,50V,Y5V,TP,2012	
SR03	2011-000585	R-NETWORK:47ohm,5%,63mW,L,CHIP,8P,TP		YC59	2203-000218	C-CERAMIC,CHIP:100nF,20%,50V,Y5V,TP,2012	
SR04	2011-000585	R-NETWORK:47ohm,5%,63mW,L,CHIP,8P,TP		YC60	2203-000218	C-CERAMIC,CHIP:100nF,20%,50V,Y5V,TP,2012	
SR05	2011-000585	R-NETWORK:47ohm,5%,63mW,L,CHIP,8P,TP		YC62	2401-000603	C-AL:1uF,20%,50V,GP,TP5x11,5	
SR06	2011-000585	R-NETWORK:47ohm,5%,63mW,L,CHIP,8P,TP		YD01	0403-000620	DIODE-ZENER:RLZ5.6B,5.6V,5.45-5.73V,400m	
SR07	2011-000585	R-NETWORK:47ohm,5%,63mW,L,CHIP,8P,TP		YD02	0403-000620	DIODE-ZENER:RLZ5.6B,5.6V,5.45-5.73V,400m	
SR08	2011-000585	R-NETWORK:47ohm,5%,63mW,L,CHIP,8P,TP		YD03	0403-001117	DIODE-ZENER:RLZ12B,5%,500mW,LL-34,TP	
SR09	2011-000585	R-NETWORK:47ohm,5%,63mW,L,CHIP,8P,TP		YD04	0403-001117	DIODE-ZENER:RLZ12B,5%,500mW,LL-34,TP	
SR10	2007-000947	R-CHIP:47OHM,5%,1/10W,DA,TP,2012		YD05	0403-001117	DIODE-ZENER:RLZ12B,5%,500mW,LL-34,TP	
SR11	2007-000947	R-CHIP:47OHM,5%,1/10W,DA,TP,2012		YF11	2901-000226	FILTER-EMI SMD:25V,0.3A,-,100pF,3.2x1.25	
SR12	2007-000947	R-CHIP:47OHM,5%,1/10W,DA,TP,2012		YF12	2901-000226	FILTER-EMI SMD:25V,0.3A,-,100pF,3.2x1.25	
SR13	2011-000585	R-NETWORK:47ohm,5%,63mW,L,CHIP,8P,TP		YF13	2901-000226	FILTER-EMI SMD:25V,0.3A,-,100pF,3.2x1.25	
SR14	2011-000585	R-NETWORK:47ohm,5%,63mW,L,CHIP,8P,TP		YF14	2901-000226	FILTER-EMI SMD:25V,0.3A,-,100pF,3.2x1.25	
SR15	2011-000585	R-NETWORK:47ohm,5%,63mW,L,CHIP,8P,TP		YF15	2901-000226	FILTER-EMI SMD:25V,0.3A,-,100pF,3.2x1.25	
SR16	2011-000585	R-NETWORK:47ohm,5%,63mW,L,CHIP,8P,TP		YL01	2702-001094	INDUCTOR-RADIAL:10uH,10%,6x4mm	
SR17	2007-000308	R-CHIP:100HM,5%,1/10W,DA,TP,2012		YQ01	0501-000280	TR-SMALL SIGNAL:KSA1182,PNP,150mW,SOT-23	
SR50	2007-000290	R-CHIP:1000HM,5%,1/10W,DA,TP,2012		YQ02	0501-000280	TR-SMALL SIGNAL:KSA1182,PNP,150mW,SOT-23	
SR51	2007-000290	R-CHIP:1000HM,5%,1/10W,DA,TP,2012		YQ03	0501-000280	TR-SMALL SIGNAL:KSA1182,PNP,150mW,SOT-23	
SR52	2007-000938	R-CHIP:47KOHM,1%,1/10W,DA,TP,2012		YQ06	0501-000344	TR-SMALL SIGNAL:KSC1623-G,NPN,200mW,SOT-	
SR53	2011-000585	R-NETWORK:47ohm,5%,63mW,L,CHIP,8P,TP		YQ08	0501-000280	TR-SMALL SIGNAL:KSA1182,PNP,150mW,SOT-23	
SR54	2011-000585	R-NETWORK:47ohm,5%,63mW,L,CHIP,8P,TP		YQ11	0501-000344	TR-SMALL SIGNAL:KSC1623-G,NPN,200mW,SOT-	
SR55	2011-000585	R-NETWORK:47ohm,5%,63mW,L,CHIP,8P,TP		YQ12	0501-000344	TR-SMALL SIGNAL:KSC1623-G,NPN,200mW,SOT-	
SR56	2011-000585	R-NETWORK:47ohm,5%,63mW,L,CHIP,8P,TP		YR03	2007-000468	R-CHIP:1KOHM,5%,1/10W,DA,TP,2012	
SR58	2007-000290	R-CHIP:1000HM,5%,1/10W,DA,TP,2012		YR05	2007-000290	R-CHIP:1000HM,5%,1/10W,DA,TP,2012	
SR60	2007-000308	R-CHIP:100HM,5%,1/10W,DA,TP,2012		YR06	2007-000290	R-CHIP:1000HM,5%,1/10W,DA,TP,2012	
SR61	2007-000308	R-CHIP:100HM,5%,1/10W,DA,TP,2012		YR07	2007-000290	R-CHIP:1000HM,5%,1/10W,DA,TP,2012	
SR62	2007-000308	R-CHIP:100HM,5%,1/10W,DA,TP,2012		YR08	2007-000290	R-CHIP:1000HM,5%,1/10W,DA,TP,2012	
SR63	2007-000308	R-CHIP:100HM,5%,1/10W,DA,TP,2012		YR09	2007-000290	R-CHIP:1000HM,5%,1/10W,DA,TP,2012	
SR64	2007-000029	R-CHIP:00HM,5%,1/10W,DA,TP,2012		YR10	2007-000290	R-CHIP:1000HM,5%,1/10W,DA,TP,2012	
YC01	2203-000922	C-CERAMIC,CHIP:470nF,+80-20%,25V,Y5V,TP,		YR11	2007-000290	R-CHIP:1000HM,5%,1/10W,DA,TP,2012	
YC02	2203-000922	C-CERAMIC,CHIP:470nF,+80-20%,25V,Y5V,TP,		YR12	2007-000290	R-CHIP:1000HM,5%,1/10W,DA,TP,2012	
YC03	2203-000922	C-CERAMIC,CHIP:470nF,+80-20%,25V,Y5V,TP,		YR14	2007-000931	R-CHIP:4700HM,5%,1/10W,DA,TP,2012	
YC04	2203-000922	C-CERAMIC,CHIP:470nF,+80-20%,25V,Y5V,TP,		YR15	2007-000938	R-CHIP:47KOHM,1%,1/10W,DA,TP,2012	
YC05	2203-000922	C-CERAMIC,CHIP:470nF,+80-20%,25V,Y5V,TP,		YR18	2007-000290	R-CHIP:1000HM,5%,1/10W,DA,TP,2012	
YC08	2203-000922	C-CERAMIC,CHIP:470nF,+80-20%,25V,Y5V,TP,		YR23	2007-000468	R-CHIP:1KOHM,5%,1/10W,DA,TP,2012	
YC09	2203-000922	C-CERAMIC,CHIP:470nF,+80-20%,25V,Y5V,TP,		YR24	2007-000468	R-CHIP:1KOHM,5%,1/10W,DA,TP,2012	
YC10	2203-000922	C-CERAMIC,CHIP:470nF,+80-20%,25V,Y5V,TP,		YR25	2007-000290	R-CHIP:1000HM,5%,1/10W,DA,TP,2012	
YC11	2203-000922	C-CERAMIC,CHIP:470nF,+80-20%,25V,Y5V,TP,		YR26	2007-000290	R-CHIP:1000HM,5%,1/10W,DA,TP,2012	
YC12	2203-000922	C-CERAMIC,CHIP:470nF,+80-20%,25V,Y5V,TP,		YR27	2007-000290	R-CHIP:1000HM,5%,1/10W,DA,TP,2012	
YC13	2203-000922	C-CERAMIC,CHIP:470nF,+80-20%,25V,Y5V,TP,		YR28	2007-000290	R-CHIP:1000HM,5%,1/10W,DA,TP,2012	
YC14	2203-000922	C-CERAMIC,CHIP:470nF,+80-20%,25V,Y5V,TP,		YR29	2007-000030	R-CHIP:5600HM,5%,1/10W,DA,TP,2012	
YC15	2203-000922	C-CERAMIC,CHIP:470nF,+80-20%,25V,Y5V,TP,		YR30	2007-000290	R-CHIP:1000HM,5%,1/10W,DA,TP,2012	
YC16	2203-000922	C-CERAMIC,CHIP:470nF,+80-20%,25V,Y5V,TP,		YR31	2007-000030	R-CHIP:5600HM,5%,1/10W,DA,TP,2012	
YC17	2203-000922	C-CERAMIC,CHIP:470nF,+80-20%,25V,Y5V,TP,		YR32	2007-000290	R-CHIP:1000HM,5%,1/10W,DA,TP,2012	
YC18	2203-000922	C-CERAMIC,CHIP:470nF,+80-20%,25V,Y5V,TP,		YR33	2007-000030	R-CHIP:5600HM,5%,1/10W,DA,TP,2012	
YC19	2203-000922	C-CERAMIC,CHIP:470nF,+80-20%,25V,Y5V,TP,		YR40	2007-000689	R-CHIP:3.3MOHM,5%,1/10W,DA,TP,2012	
YC20	2203-000922	C-CERAMIC,CHIP:470nF,+80-20%,25V,Y5V,TP,		YR41	2007-000290	R-CHIP:1000HM,5%,1/10W,DA,TP,2012	
YC23	2401-002144	C-AL:47uF,20%,16V,GP,TP5x11,5		YR42	2007-000029	R-CHIP:00HM,5%,1/10W,DA,TP,2012	
YC24	2203-000218	C-CERAMIC,CHIP:100nF,20%,50V,Y5V,TP,2012		YR43	2007-000029	R-CHIP:00HM,5%,1/10W,DA,TP,2012	
YC25	2203-000260	C-CERAMIC,CHIP:10nF,10%,50V,X7R,TP,2012		YR44	2007-000029	R-CHIP:00HM,5%,1/10W,DA,TP,2012	
YC28	2203-000218	C-CERAMIC,CHIP:100nF,20%,50V,Y5V,TP,2012		YR45	2007-000029	R-CHIP:00HM,5%,1/10W,DA,TP,2012	
YC29	2203-000218	C-CERAMIC,CHIP:100nF,20%,50V,Y5V,TP,2012		YR46	2007-000290	R-CHIP:1000HM,5%,1/10W,DA,TP,2012	
YC30	2401-002144	C-AL:47uF,20%,16V,GP,TP5x11,5		YR47	2007-000290	R-CHIP:1000HM,5%,1/10W,DA,TP,2012	
YC31	2203-000218	C-CERAMIC,CHIP:100nF,20%,50V,Y5V,TP,2012		YR48	2007-000290	R-CHIP:1000HM,5%,1/10W,DA,TP,2012	
YC32	2203-000218	C-CERAMIC,CHIP:100nF,20%,50V,Y5V,TP,2012		YR49	2007-000029	R-CHIP:00HM,5%,1/10W,DA,TP,2012	
YC33	2203-000218	C-CERAMIC,CHIP:100nF,20%,50V,Y5V,TP,2012		YR50	2007-000766	R-CHIP:3300HM,5%,1/10W,DA,TP,2012	
YC34	2203-000922	C-CERAMIC,CHIP:470nF,+80-20%,25V,Y5V,TP,		YR51	2007-000766	R-CHIP:3300HM,5%,1/10W,DA,TP,2012	
YC35	2401-000493	C-AL:10uF,20%,50V,LZ,TP5x11mm,5mm		YR52	2007-000029	R-CHIP:00HM,5%,1/10W,DA,TP,2012	
YC36	2203-000260	C-CERAMIC,CHIP:10nF,10%,50V,X7R,TP,2012		YR53	2007-000290	R-CHIP:1000HM,5%,1/10W,DA,TP,2012	
YC37	2203-000260	C-CERAMIC,CHIP:10nF,10%,50V,X7R,TP,2012		YR56	2007-000468	R-CHIP:1KOHM,5%,1/10W,DA,TP,2012	
YC38	2203-000260	C-CERAMIC,CHIP:10nF,10%,50V,X7R,TP,2012		YR58	2007-000029	R-CHIP:00HM,5%,1/10W,DA,TP,2012	
YC39	2203-000260	C-CERAMIC,CHIP:10nF,10%,50V,X7R,TP,2012		YR59	2007-000300	R-CHIP:10KOHM,5%,1/10W,DA,TP,2012	
YC40	2203-000260	C-CERAMIC,CHIP:10nF,10%,50V,X7R,TP,2012		YR60	2007-000290	R-CHIP:1000HM,5%,1/10W,DA,TP,2012	
YC41	2203-000260	C-CERAMIC,CHIP:10nF,10%,50V,X7R,TP,2012		YR61	2007-000941	R-CHIP:47KOHM,5%,1/10W,DA,TP,2012	
YC42	2401-000480	C-AL:10uF,20%,50V,GP,TP5x11,5		YR62	2007-000468	R-CHIP:1KOHM,5%,1/10W,DA,TP,2012	
YC45	2203-000922	C-CERAMIC,CHIP:470nF,+80-20%,25V,Y5V,TP,		YR63	2007-000290	R-CHIP:1000HM,5%,1/10W,DA,TP,2012	
YC46	2203-000260	C-CERAMIC,CHIP:10nF,10%,50V,X7R,TP,2012		YR64	2007-000290	R-CHIP:1000HM,5%,1/10W,DA,TP,2012	
YC47	2203-000260	C-CERAMIC,CHIP:10nF,10%,50V,X7R,TP,2012		YR65	2007-000582	R-CHIP:22KOHM,1%,1/10W,DA,TP,2012	
YC48	2203-000260	C-CERAMIC,CHIP:10nF,10%,50V,X7R,TP,2012		YR83	2007-000290	R-CHIP:1000HM,5%,1/10W,DA,TP,2012	
YC49	2203-000260	C-CERAMIC,CHIP:10nF,10%,50V,X7R,TP,2012		YR84	2007-000290	R-CHIP:1000HM,5%,1/10W,DA,TP,2012	
YC50	2203-000922	C-CERAMIC,CHIP:470nF,+80-20%,25V,Y5V,TP,		YR88	2007-000468	R-CHIP:1KOHM,5%,1/10W,DA,TP,2012	
YC52	2203-001088	C-CERAMIC,CHIP:0.005nF,0.25pF,50V,NPO,TP		YR89	2007-000468	R-CHIP:1KOHM,5%,1/10W,DA,TP,2012	
YC53	2203-000218	C-CERAMIC,CHIP:100nF,20%,50V,Y5V,TP,2012		YR90	2007-000290	R-CHIP:1000HM,5%,1/10W,DA,TP,2012	

Loc. No.	Code No.	Description ; Specification	Remark	Loc. No.	Code No.	Description ; Specification	Remark
----------	----------	-----------------------------	--------	----------	----------	-----------------------------	--------

YR91	2007-000290	R-CHIP:100OHM,5%,1/10W,DA,TP,2012	
YR92	2007-000290	R-CHIP:100OHM,5%,1/10W,DA,TP,2012	
YR93	2007-000029	R-CHIP:0OHM,5%,1/10W,DA,TP,2012	
YR98	2007-000872	R-CHIP:4.7KOHM,5%,1/10W,DA,TP,2012	

ASSY-PCB,CONTROL

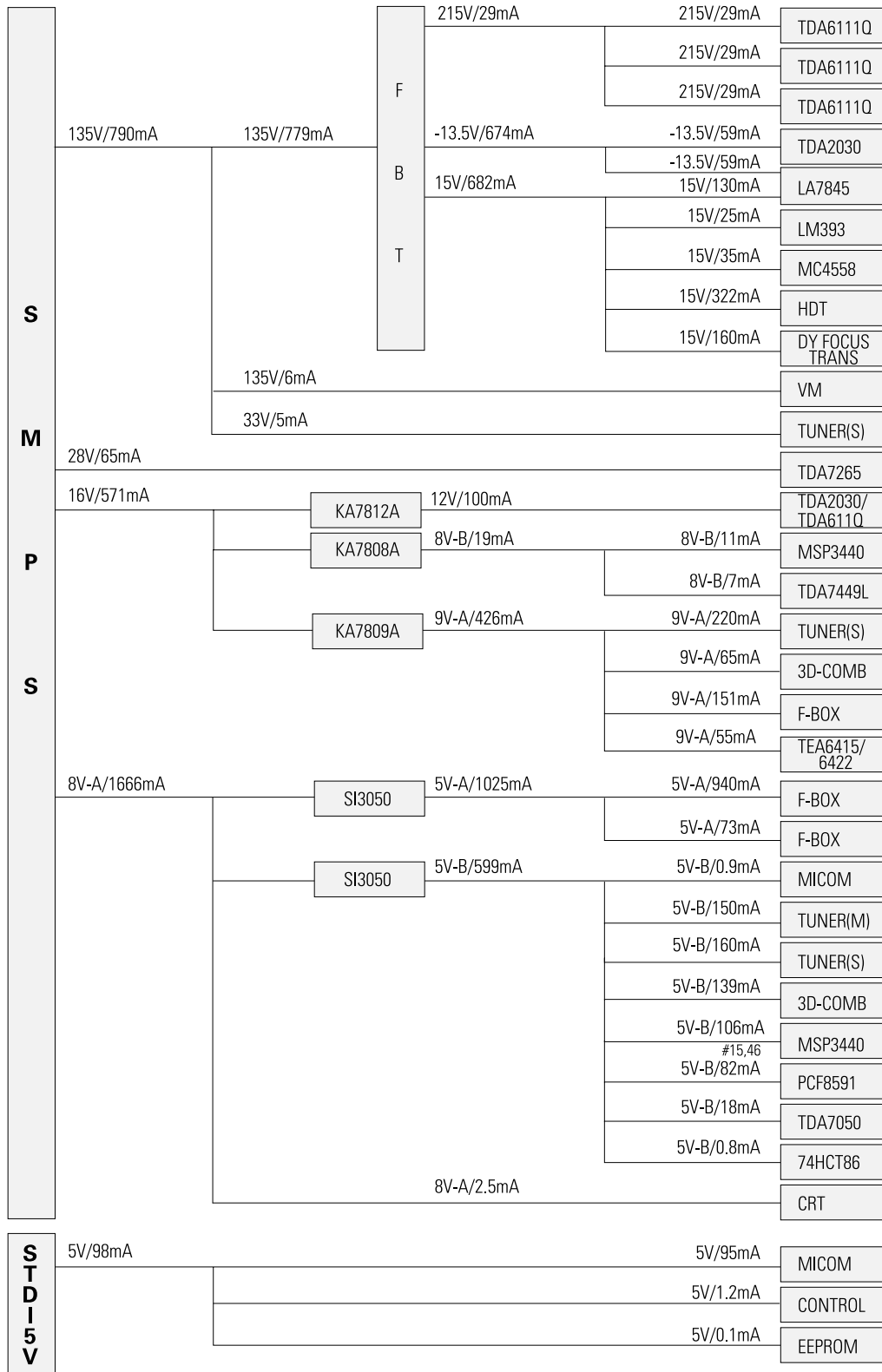
* AA95-00603AASSY-PCB,CONTROL;-;CT-29A7DR,KS4A,NTSC,2

DC01	0601-000465	LED:ROUND,GRN,5mm,565	
DC02	0601-000465	LED:ROUND,GRN,5mm,565	
PA01	AA59-60002B	MODULE-REMOCON;-;ORC-50HF,38KHZ,940MM,ME	
SWC01	3404-000176	SWITCH-TACT:12V,50mA,120gf,6x6mm,SPST	
SWC02	3404-000176	SWITCH-TACT:12V,50mA,120gf,6x6mm,SPST	
SWC03	3404-000176	SWITCH-TACT:12V,50mA,120gf,6x6mm,SPST	
SWC04	3404-000176	SWITCH-TACT:12V,50mA,120gf,6x6mm,SPST	
SWC05	3404-000176	SWITCH-TACT:12V,50mA,120gf,6x6mm,SPST	
SWC06	3404-000176	SWITCH-TACT:12V,50mA,120gf,6x6mm,SPST	
SWC07	3404-000176	SWITCH-TACT:12V,50mA,120gf,6x6mm,SPST	
	AA39-20112C	LEAD CONNECTOR-ASSY;-;YBNH025-09,67096-0	
CC01	2401-002291	C-AL:47uF,20%,16V,GP,TP,6.3x5.5	
DC03	0401-000005	DIODE-SWITCHING:1N4148,100V,200MA,DO-35,	
DC04	0401-000005	DIODE-SWITCHING:1N4148,100V,200MA,DO-35,	
QC01	0501-000389	TR-SMALL SIGNAL:KSC815,NPN,400mW,TO-92,T	
QC02	0501-000389	TR-SMALL SIGNAL:KSC815,NPN,400mW,TO-92,T	
RC01	2001-000020	R-CARBON(S):220HM,5%,1/2W,AA,TP,2.4X6.4MM	
RC02	2001-001108	R-CARBON(S):22KOHM,5%,1/2W,AA,TP,2.4X6.4	
RC03	2001-000387	R-CARBON:16KOHM,5%,1/8W,AA,TP,1.8X3.2MM	
RC04	2001-000947	R-CARBON:7.5KOHM,5%,1/8W,AA,TP,1.8X3.2M	
RC05	2001-000591	R-CARBON:3.3KOHM,5%,1/8W,AA,TP,1.8X3.2M	
RC06	2001-000591	R-CARBON:3.3KOHM,5%,1/8W,AA,TP,1.8X3.2M	
RC07	2001-000947	R-CARBON:7.5KOHM,5%,1/8W,AA,TP,1.8X3.2M	
RC08	2001-000290	R-CARBON:10KOHM,5%,1/8W,AA,TP,1.8X3.2MM	
RC09	2001-000290	R-CARBON:10KOHM,5%,1/8W,AA,TP,1.8X3.2MM	
RC12	2001-001111	R-CARBON(S):2400HM,5%,1/2W,AA,TP,2.4X6.4	
RC13	2001-001111	R-CARBON(S):2400HM,5%,1/2W,AA,TP,2.4X6.4	

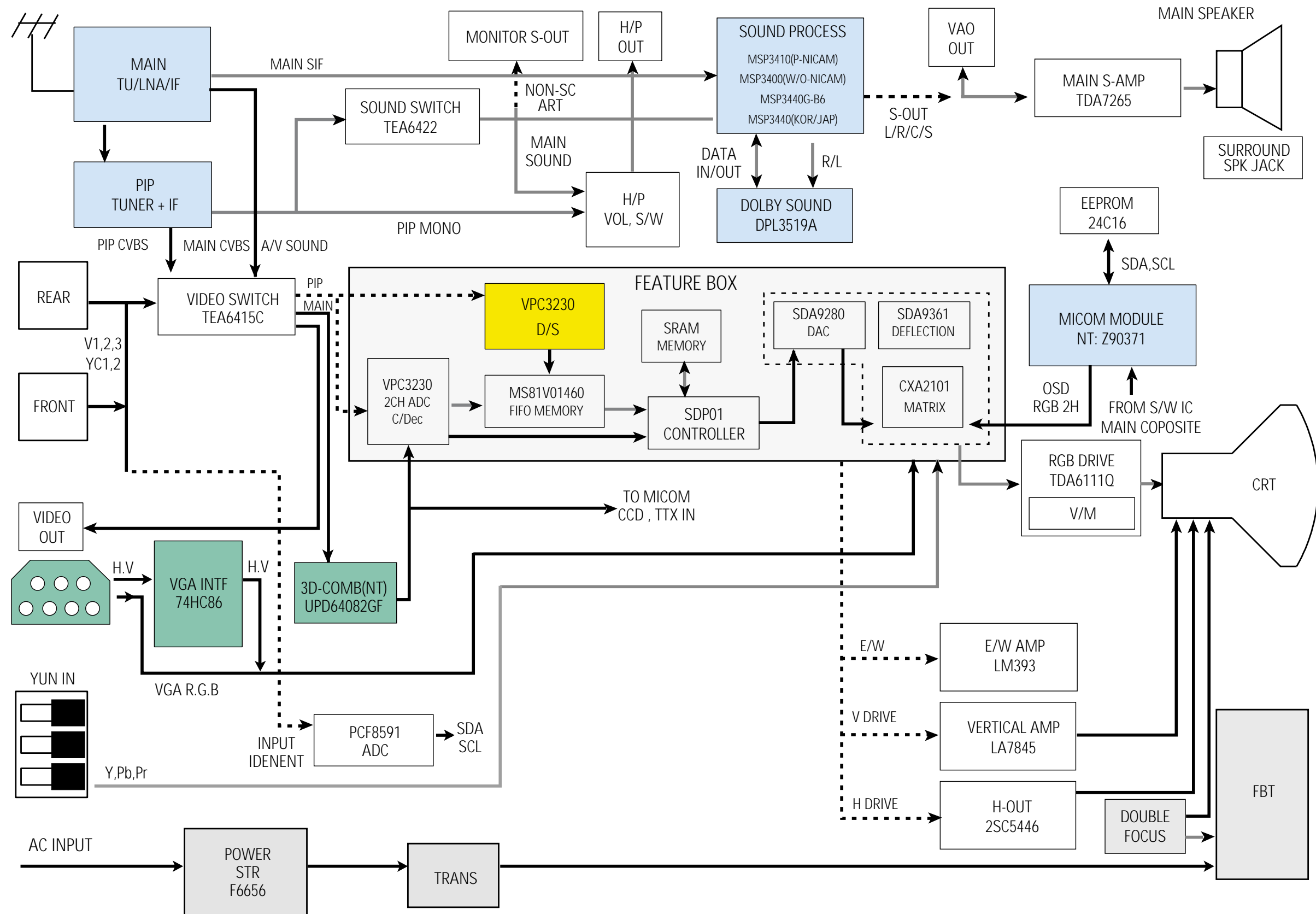
MEMO

8. Block Diagrams

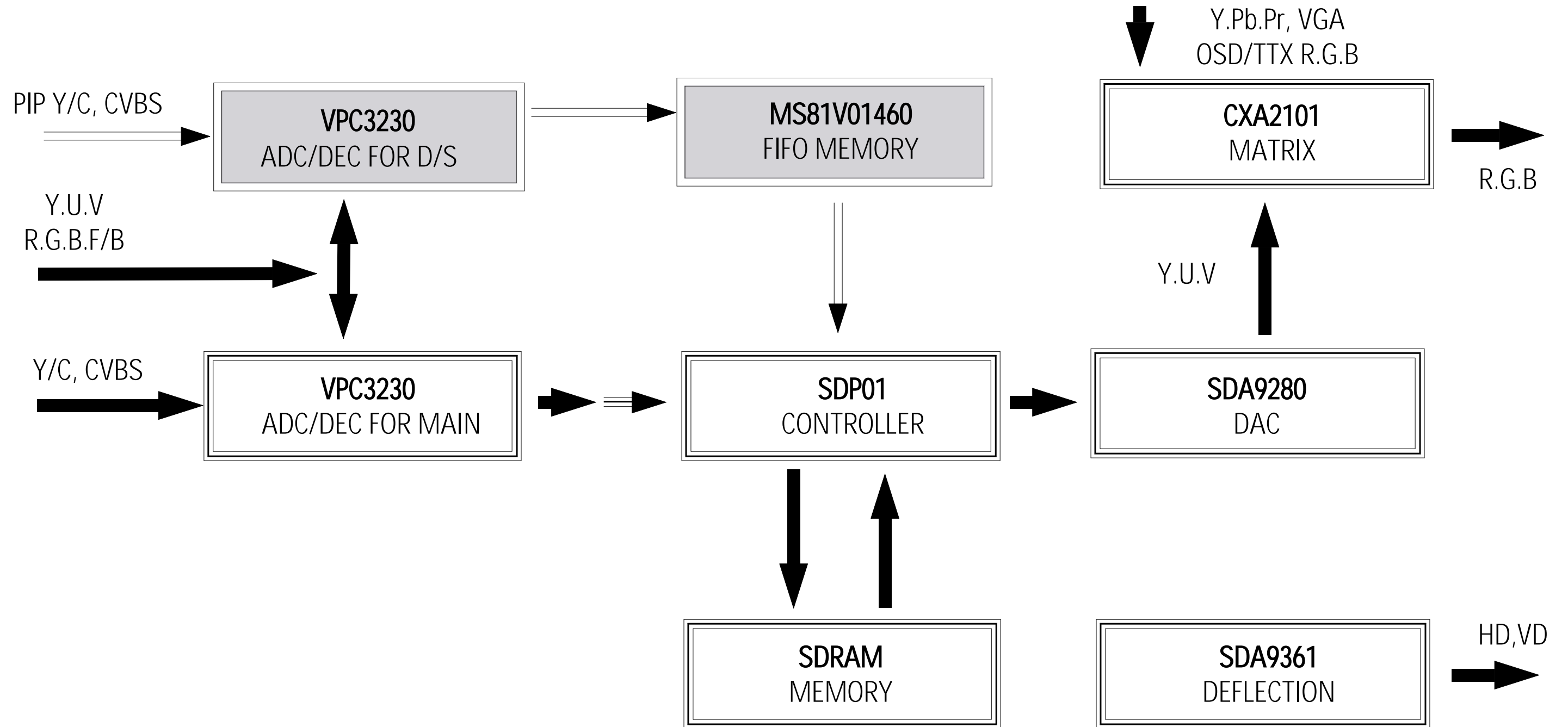
8-1 Voltage/Current Block



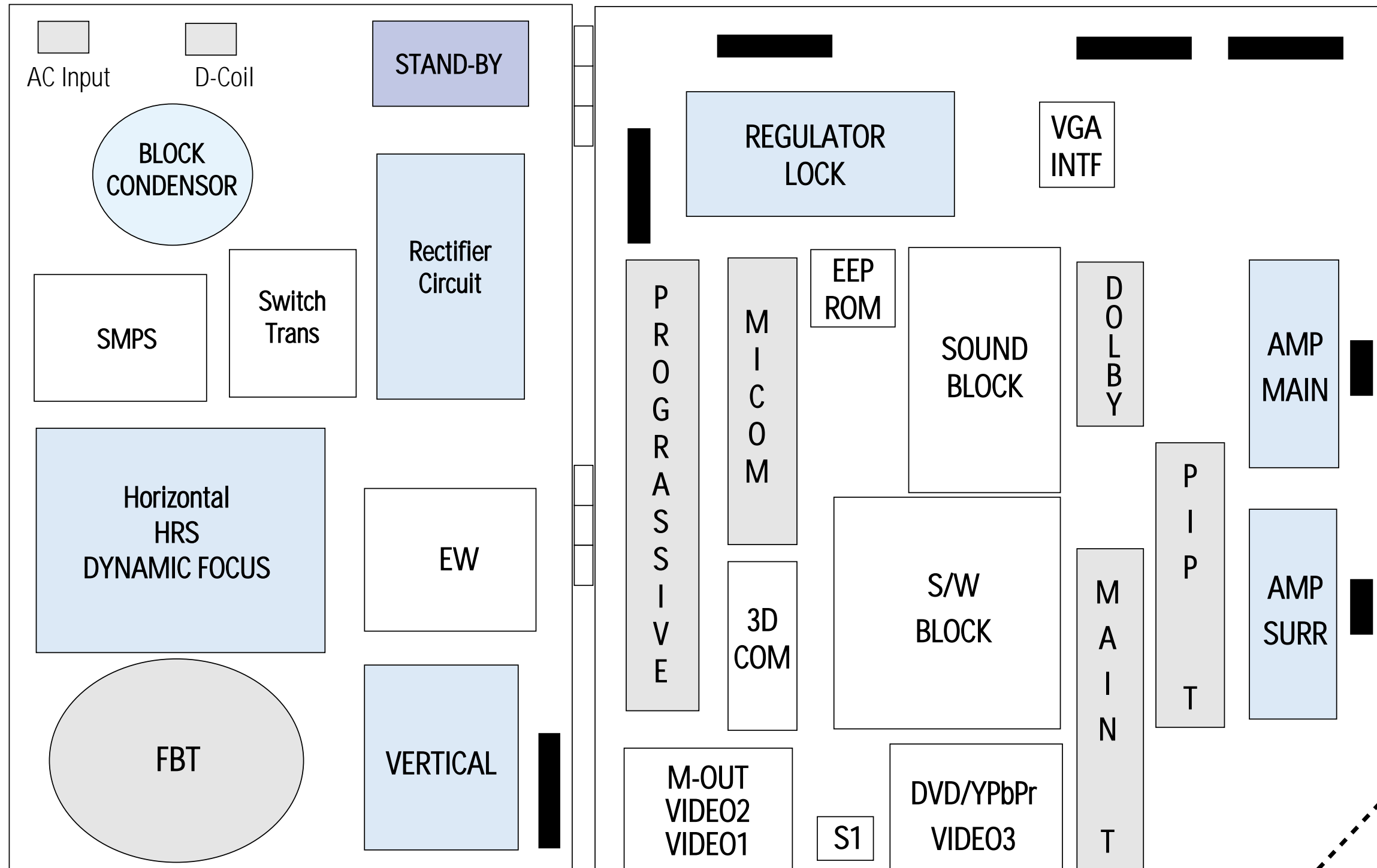
8-2 BLOCK



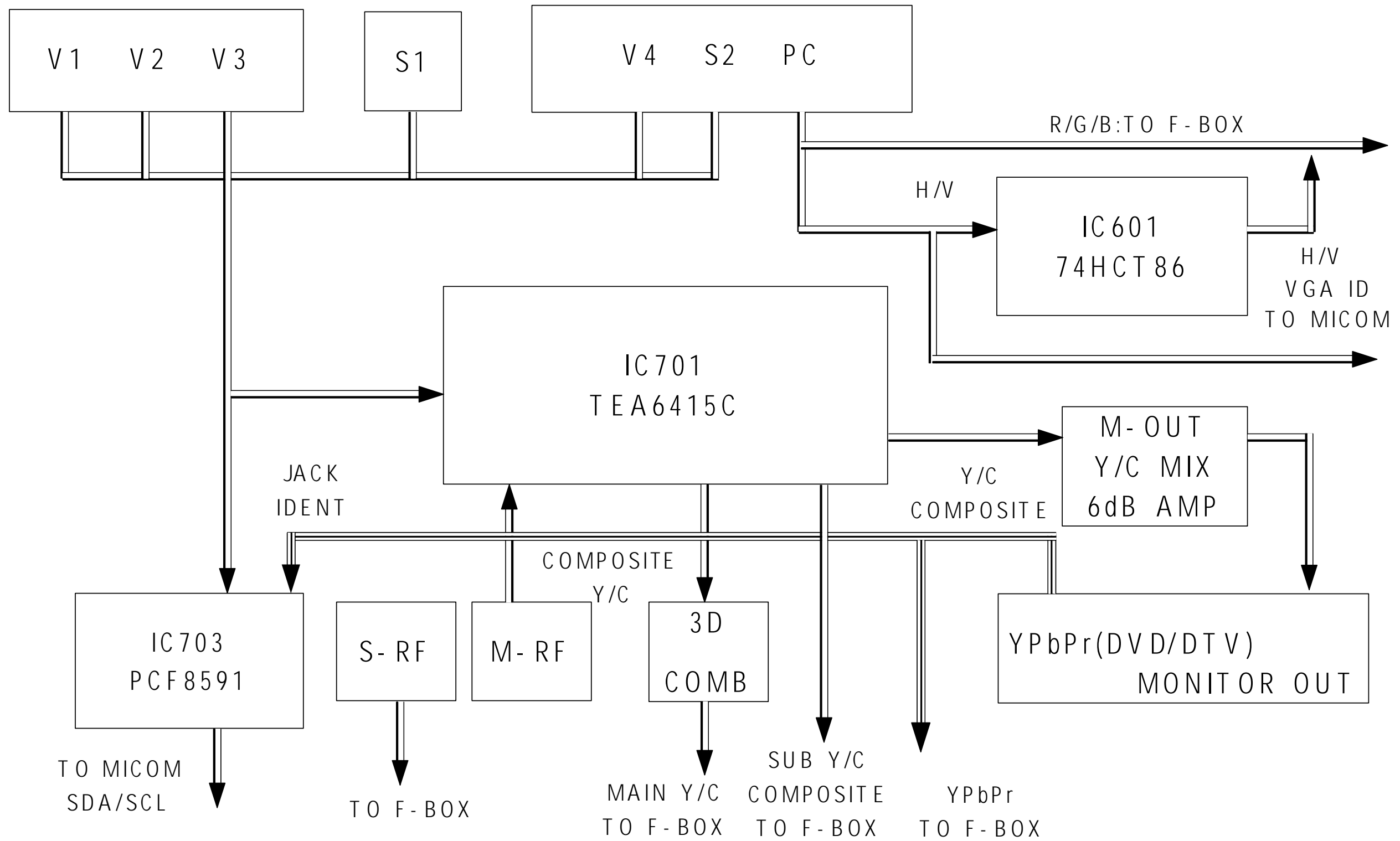
8-3 FEATURE BOX



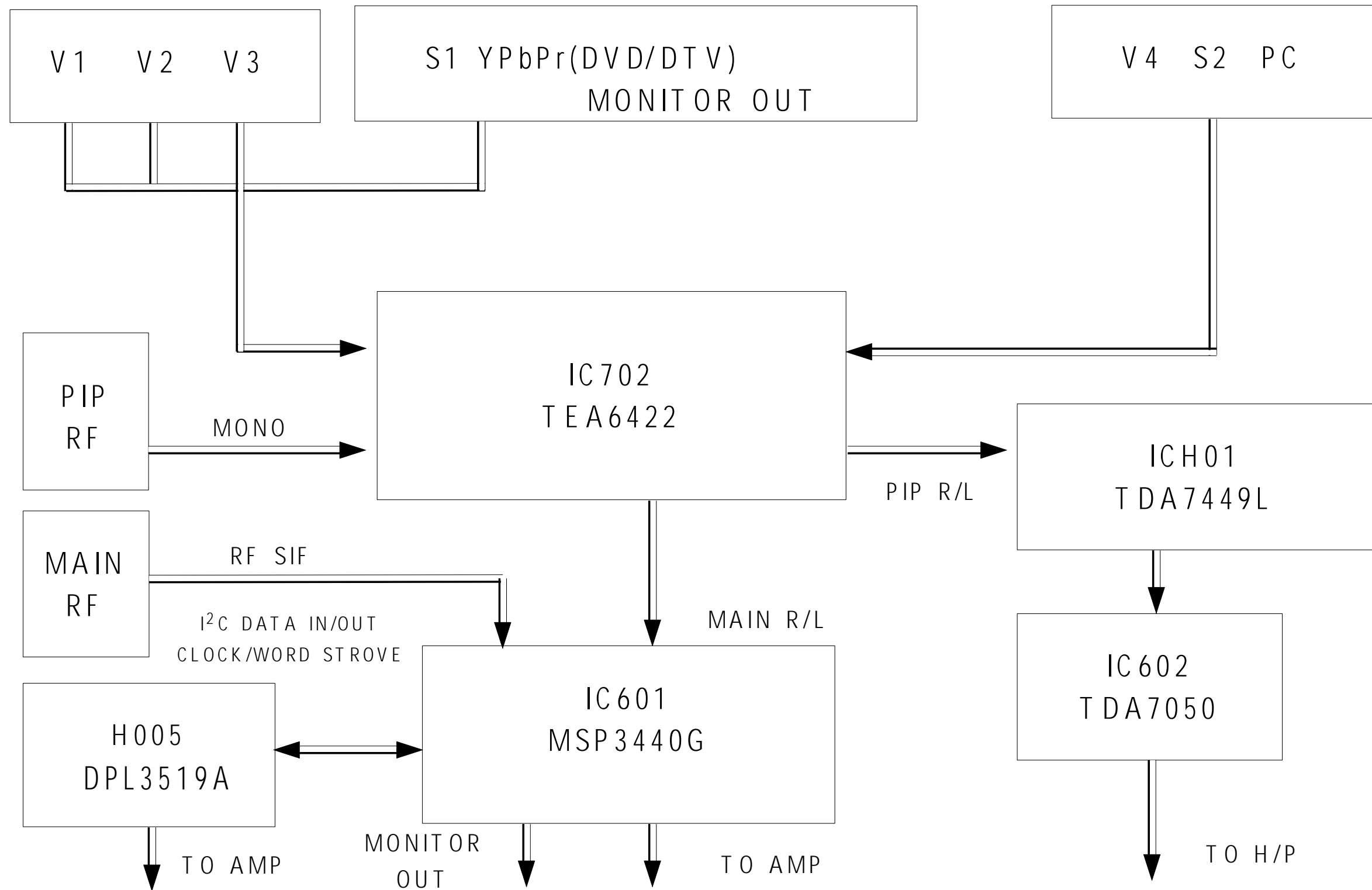
8-4 PCB LAYOUT



8-5 VIDEO FLOW

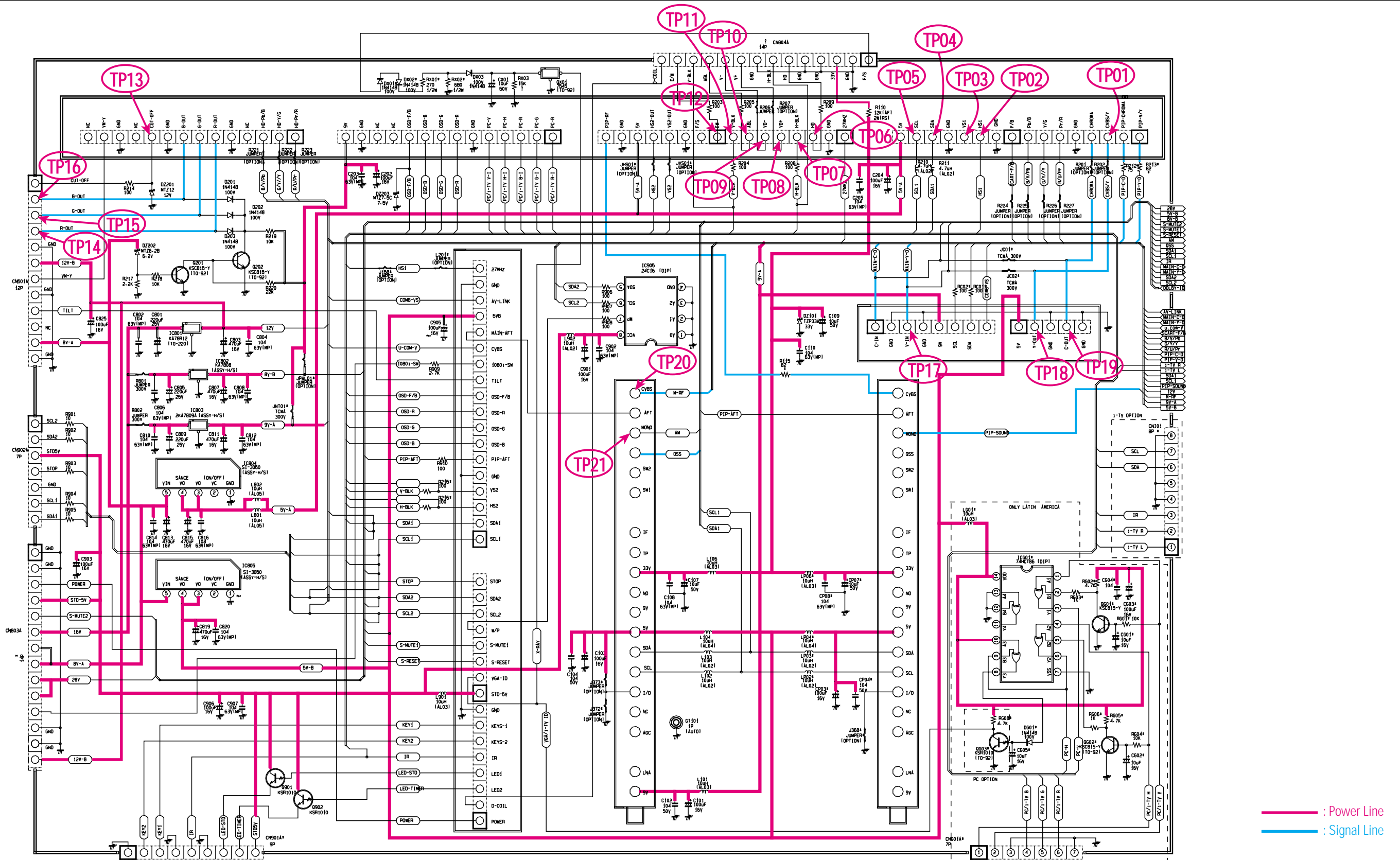


8-6 SOUND FLOW

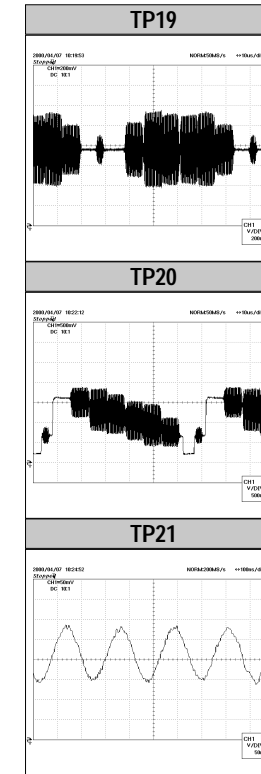
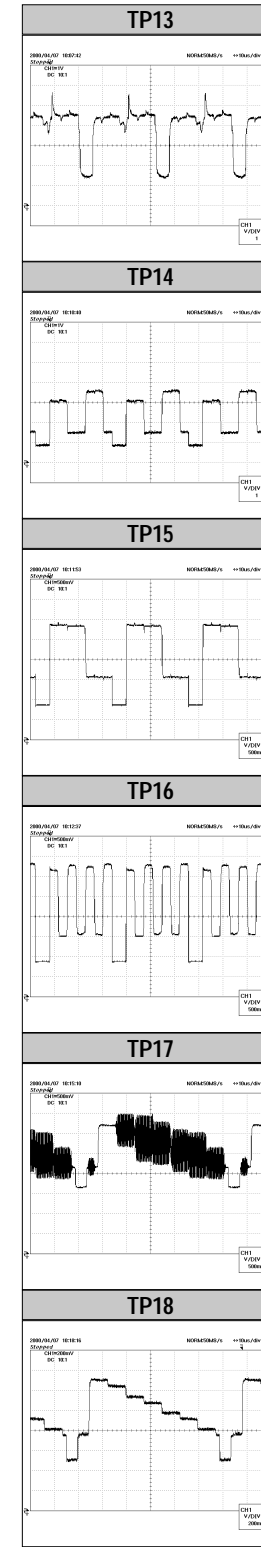
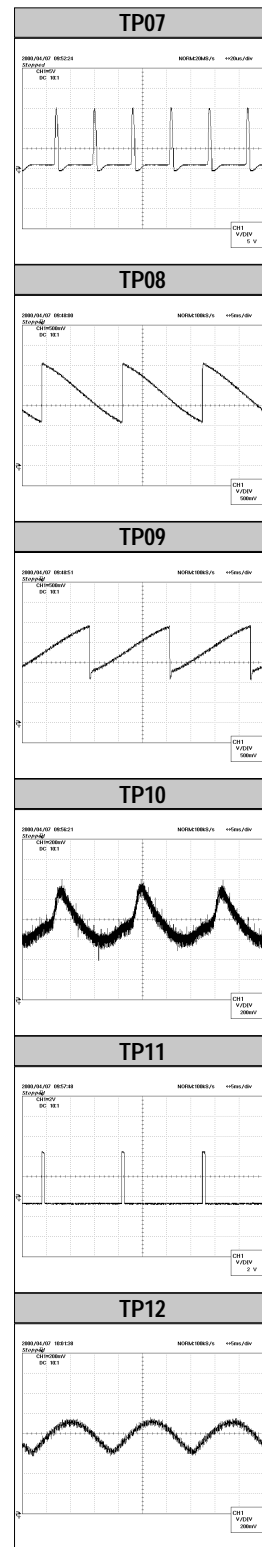
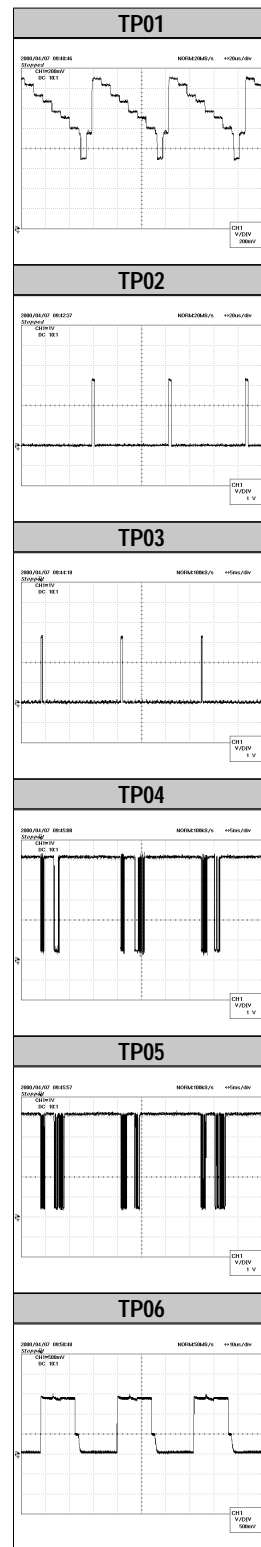


9. Schematic Diagrams

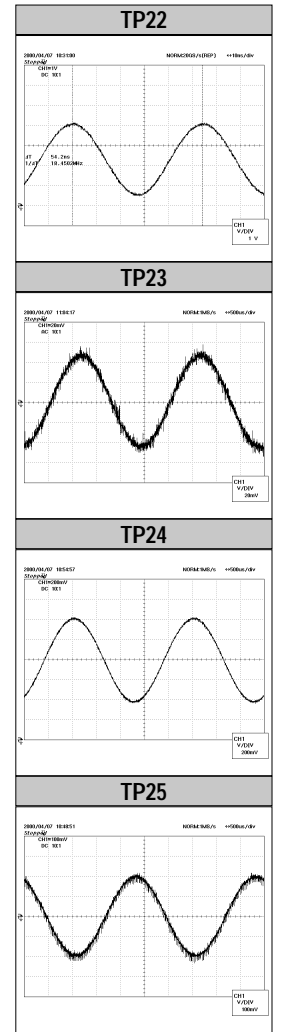
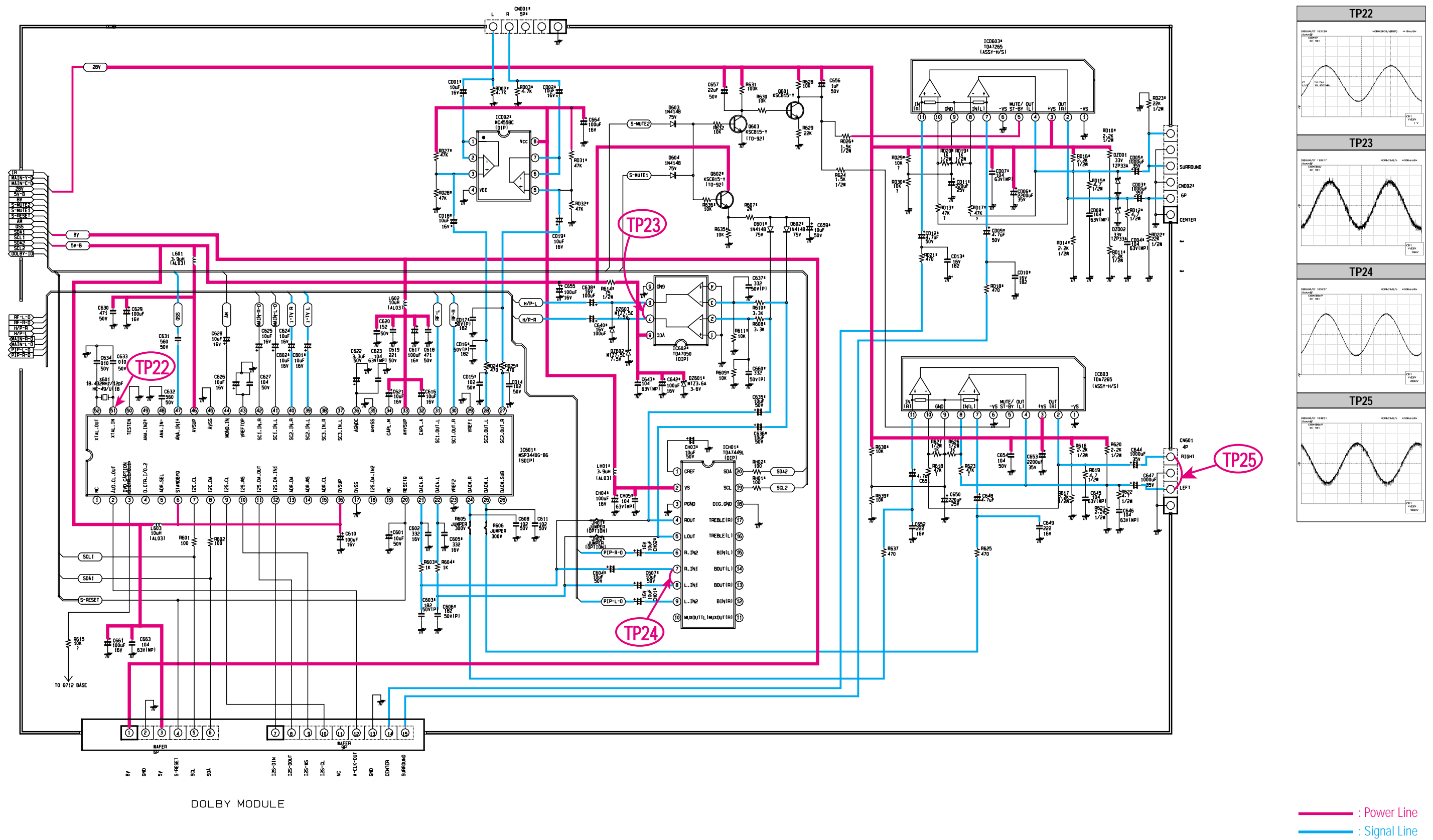
9-1 MAIN 1/3



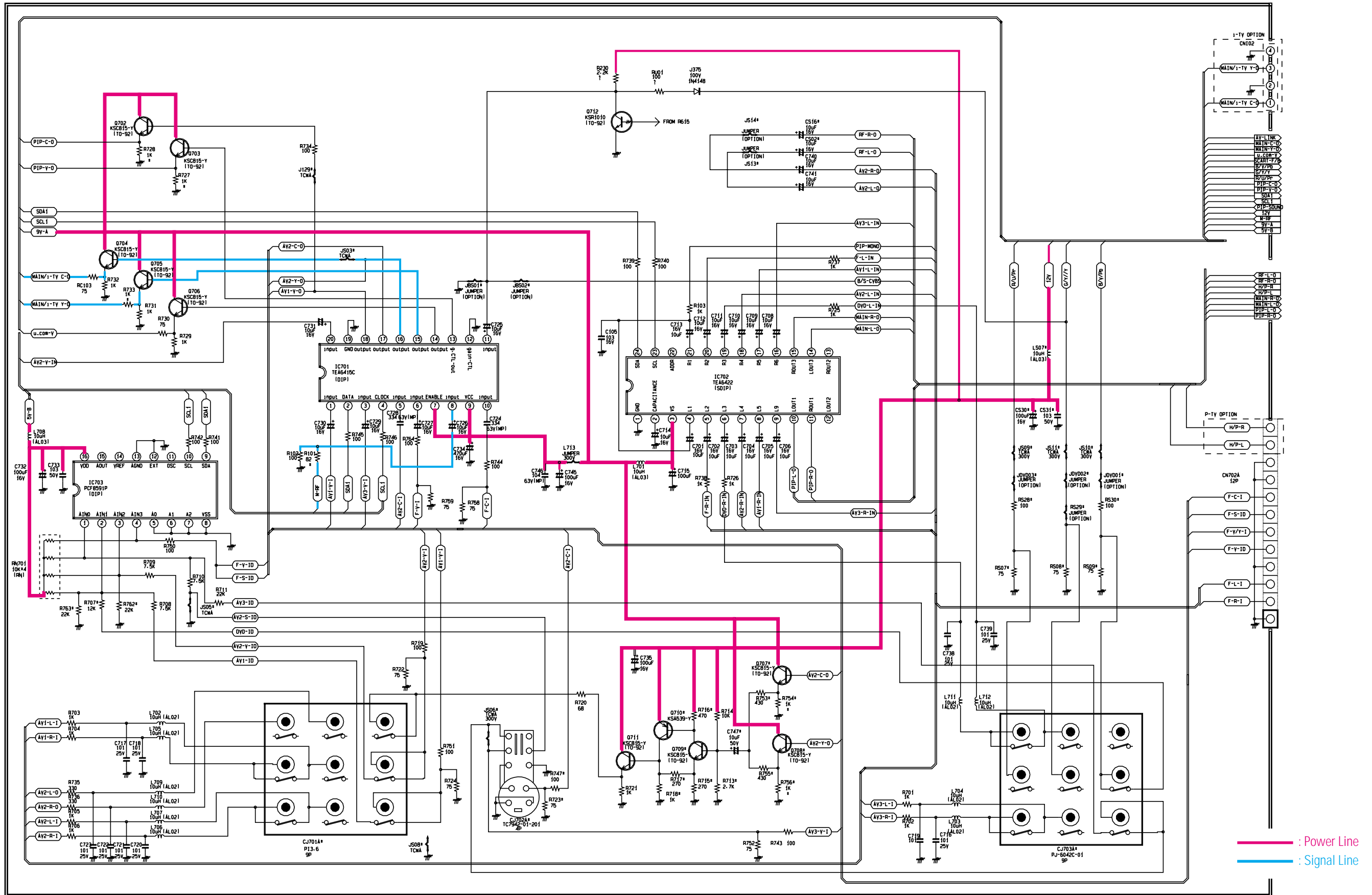
9-1-1 MAIN 1/3 WAVEFORMS



9-2 MAIN 2/3

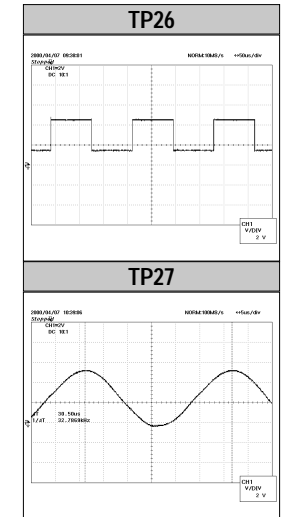
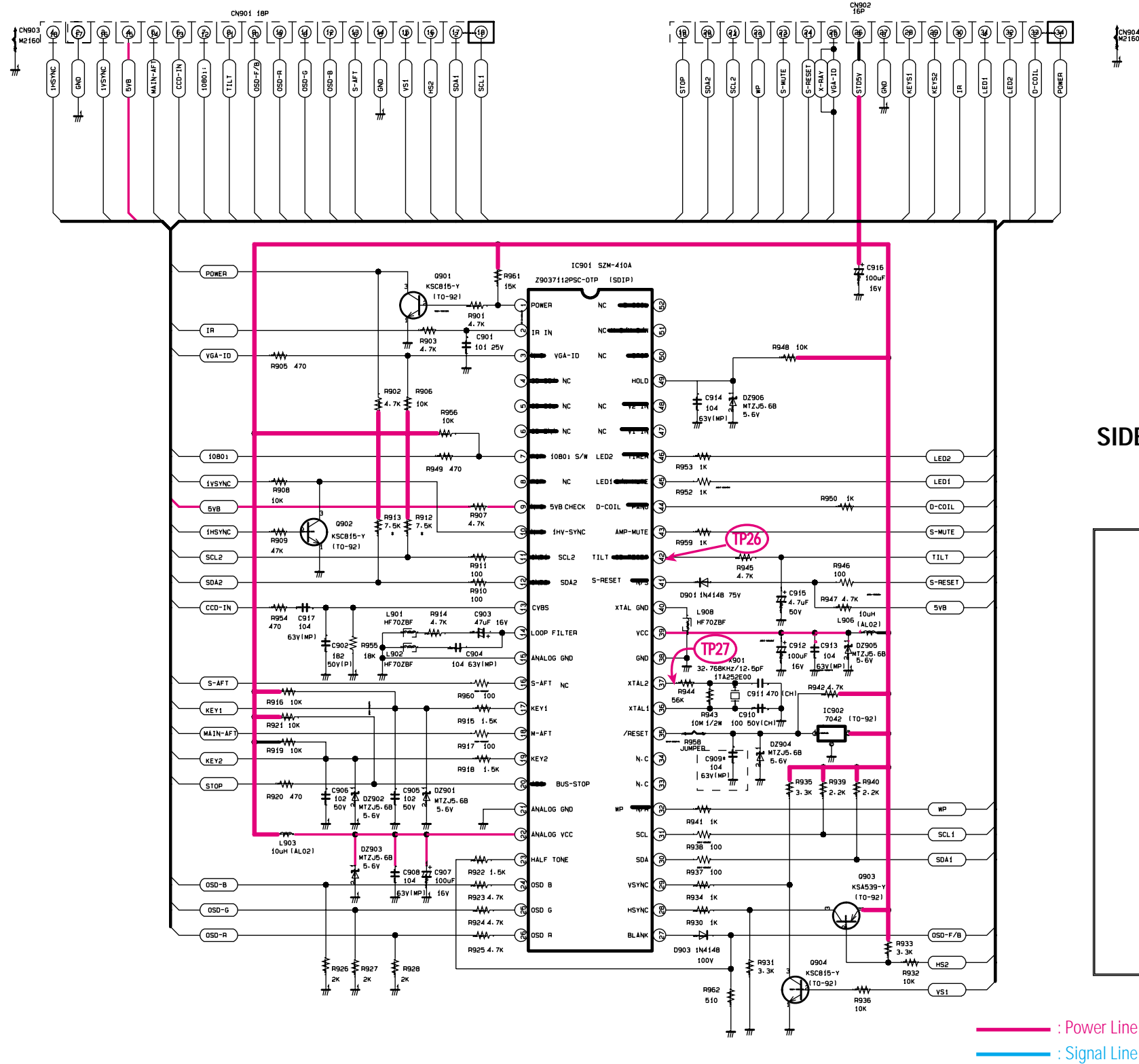


9-3 MAIN 3/3

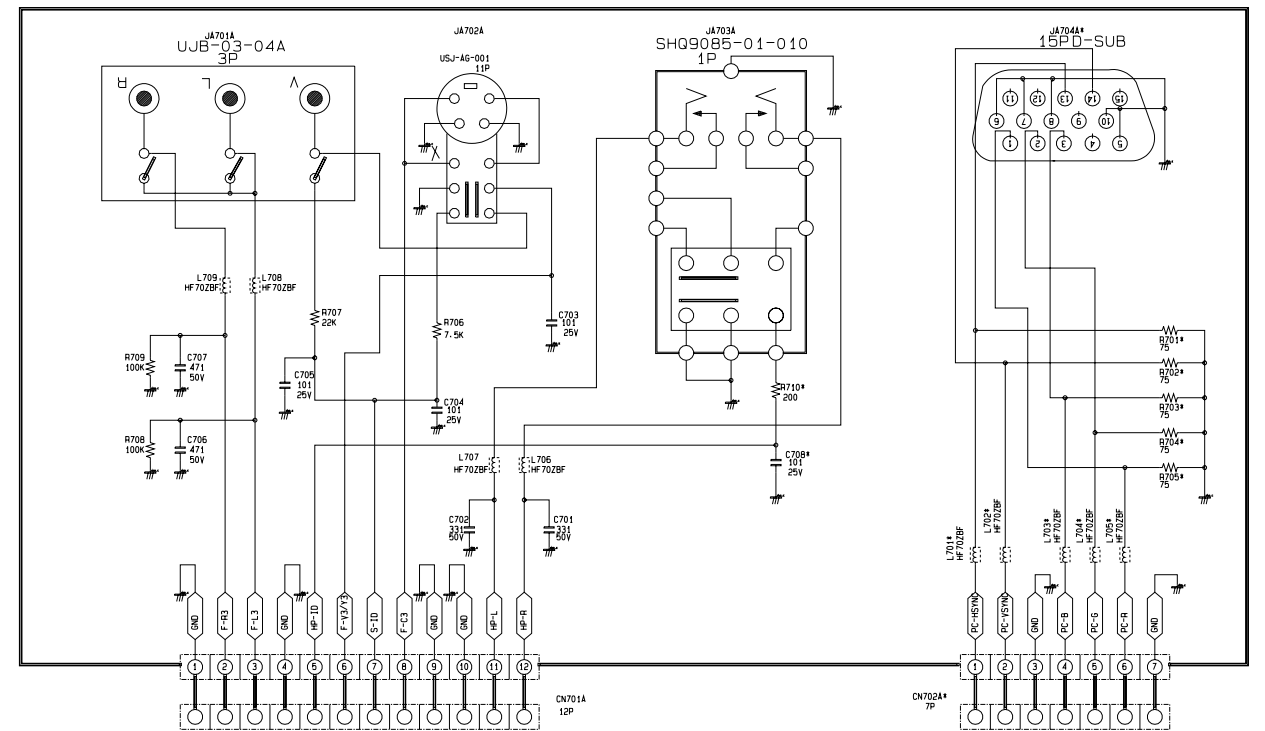


9-4 MICOM, SIDE AV

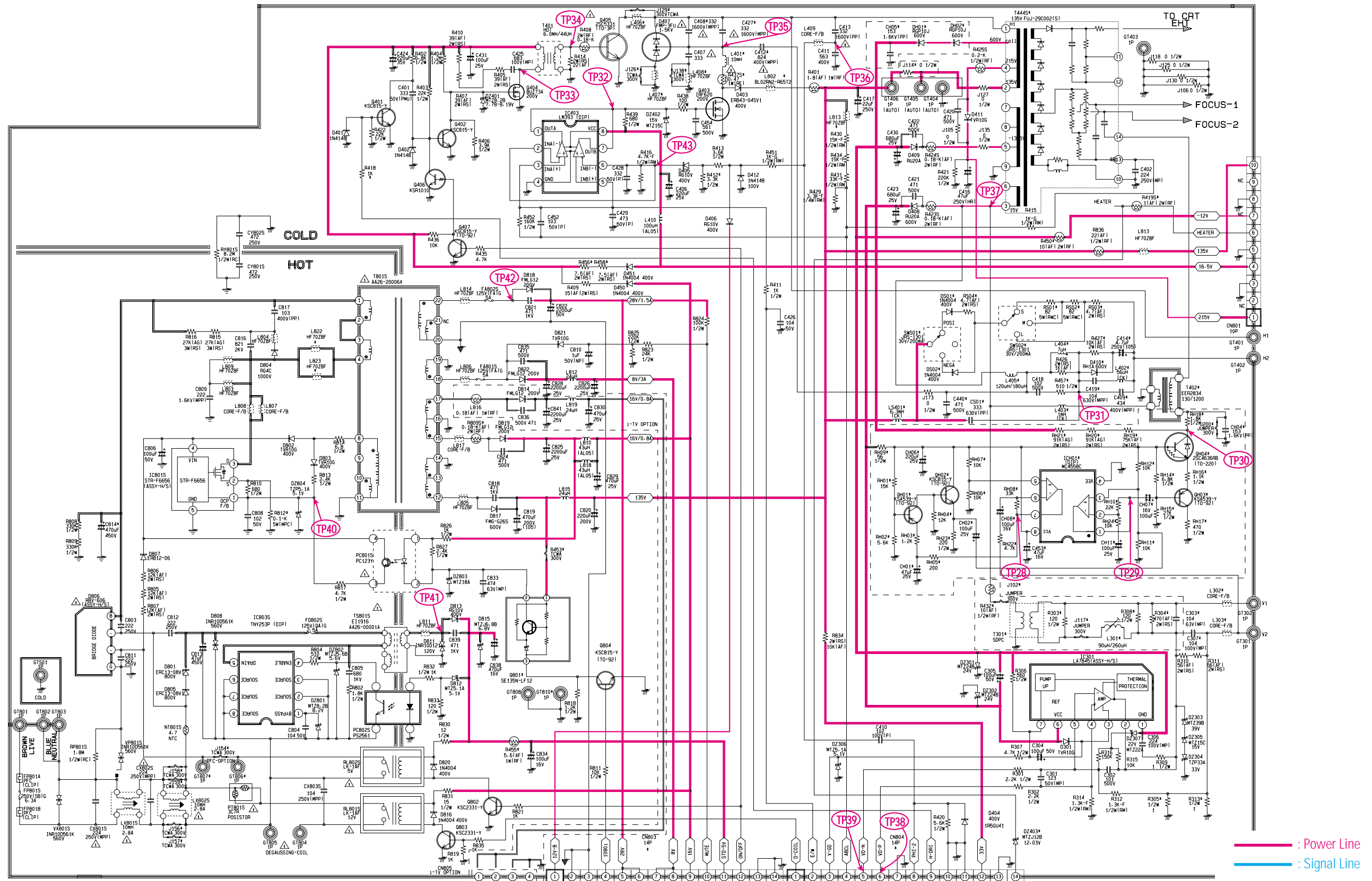
MICOM



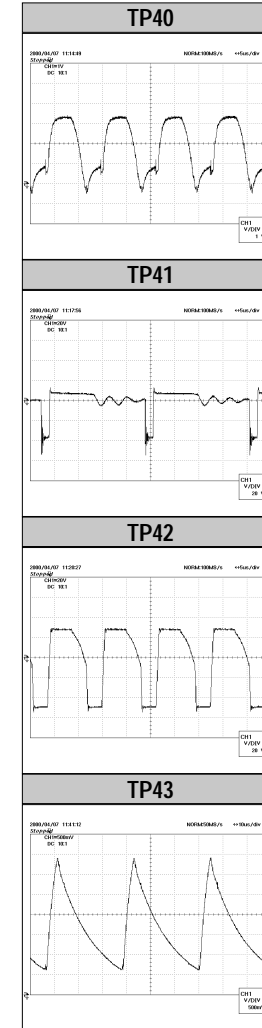
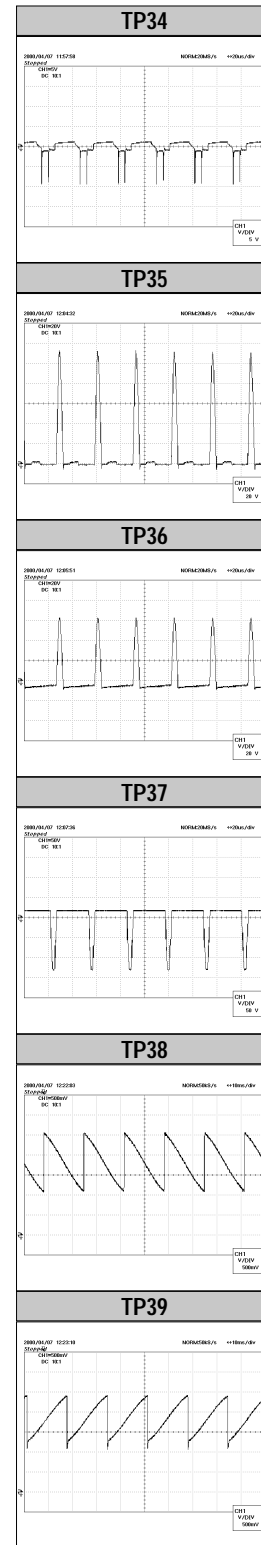
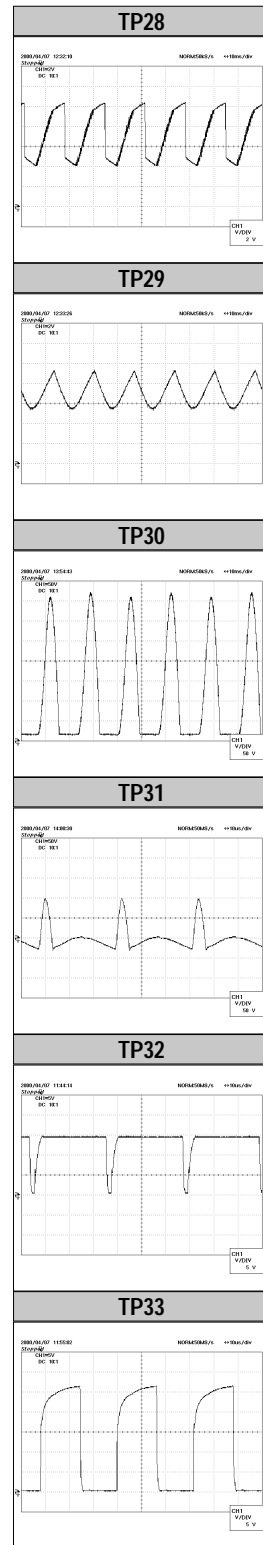
SIDE AV



9-5 POWER

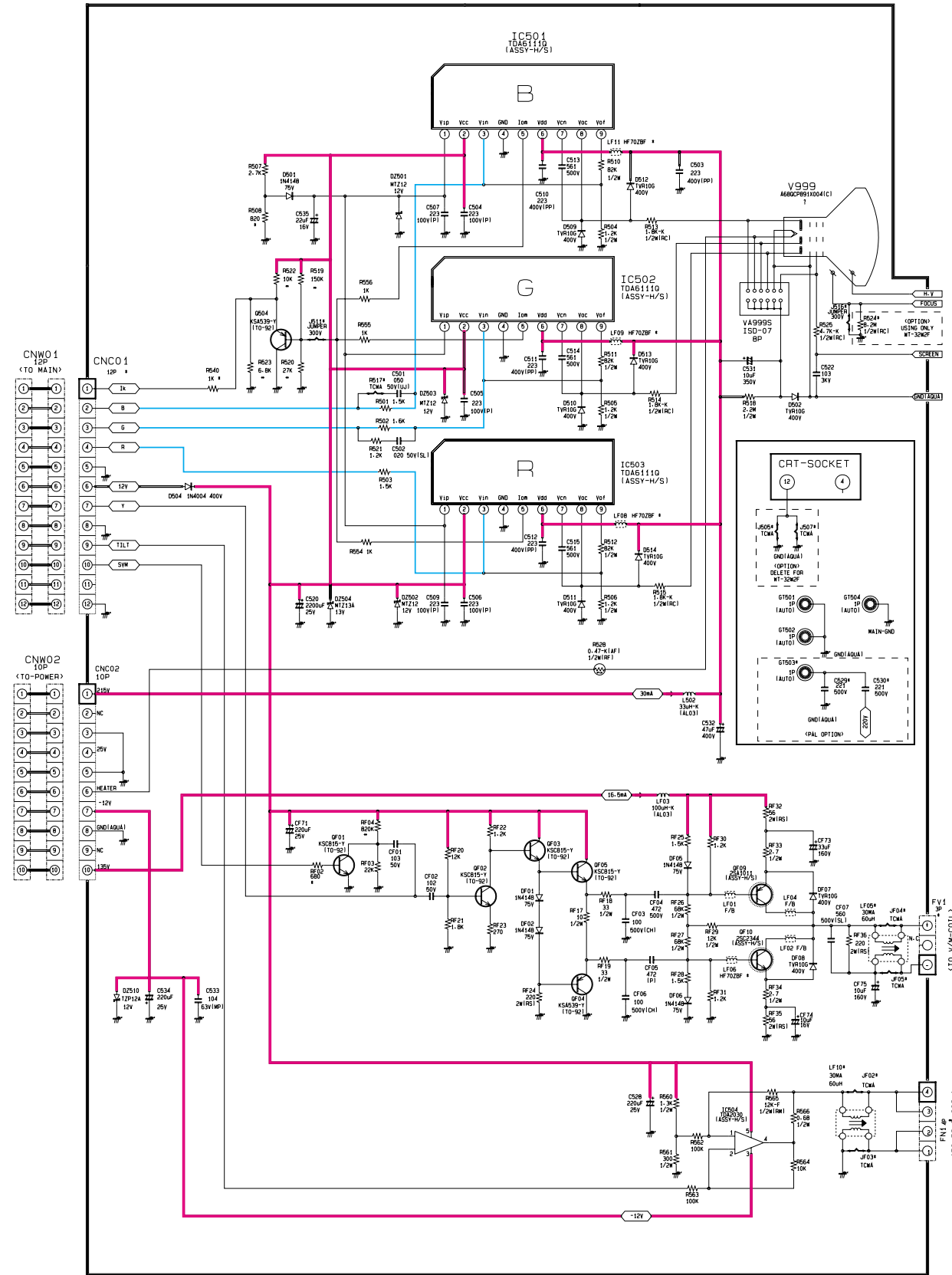


9-5-1 POWER WAVEFORMS

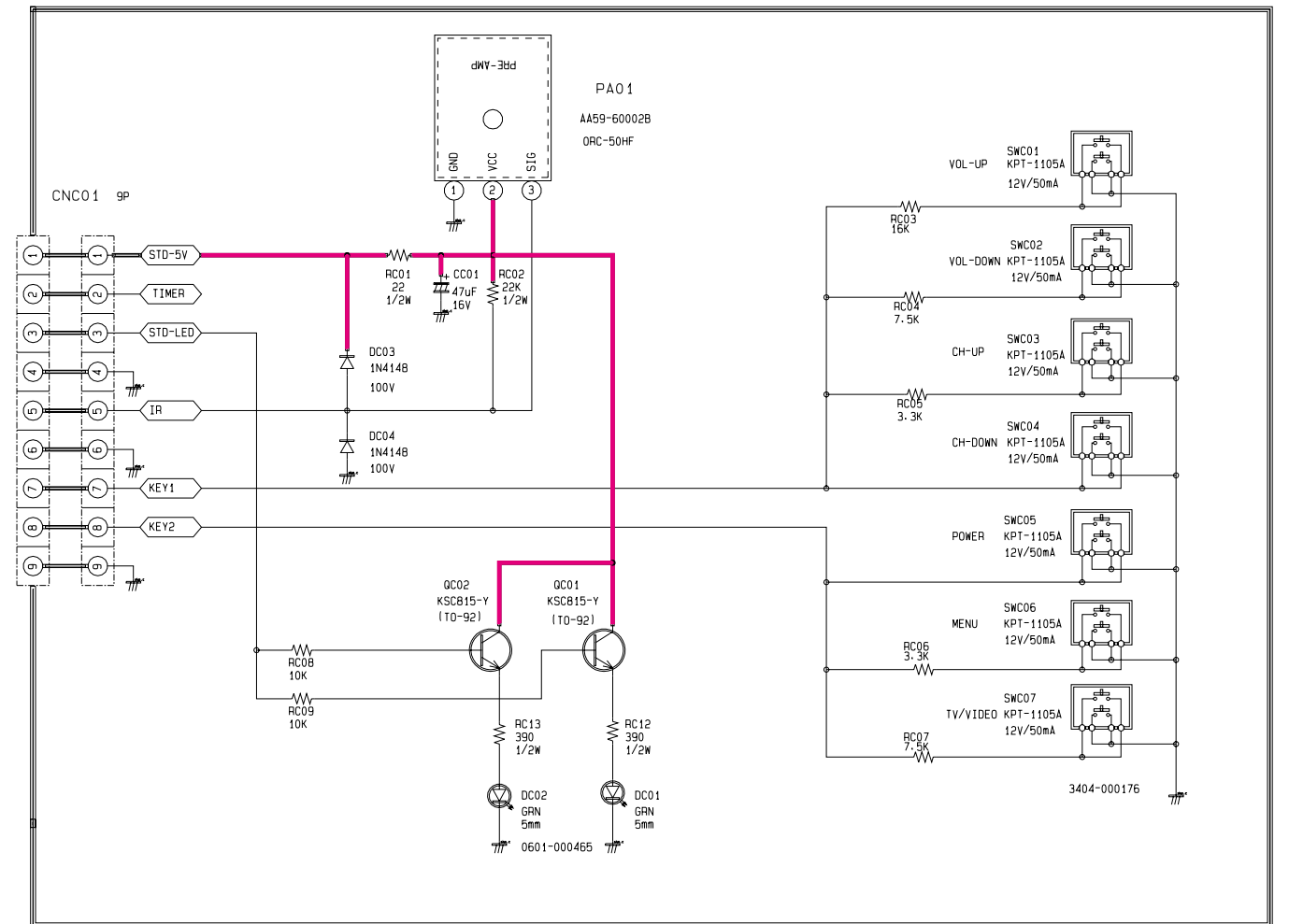


9-6 CRT, CONTROL

CRT

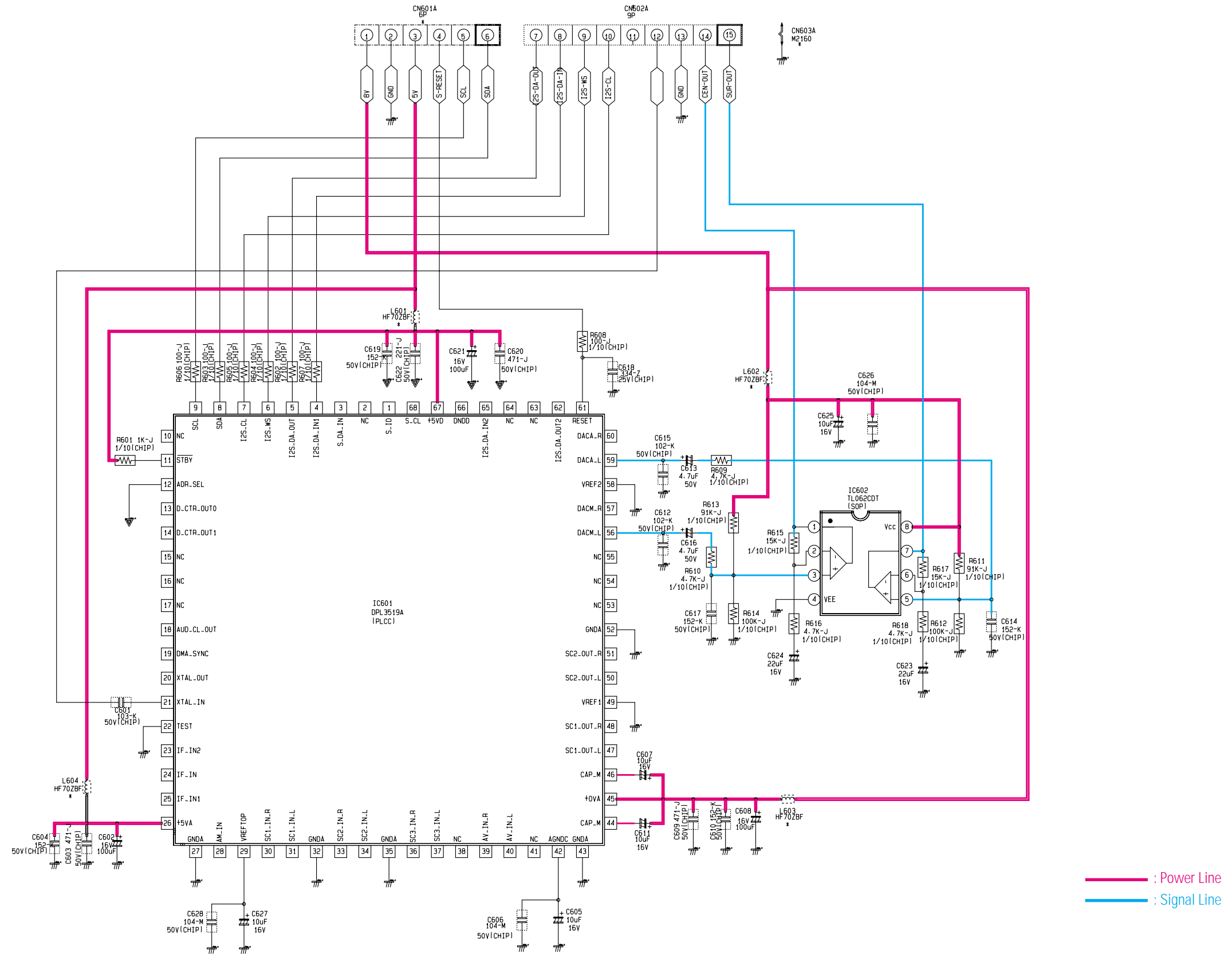


CONTROL

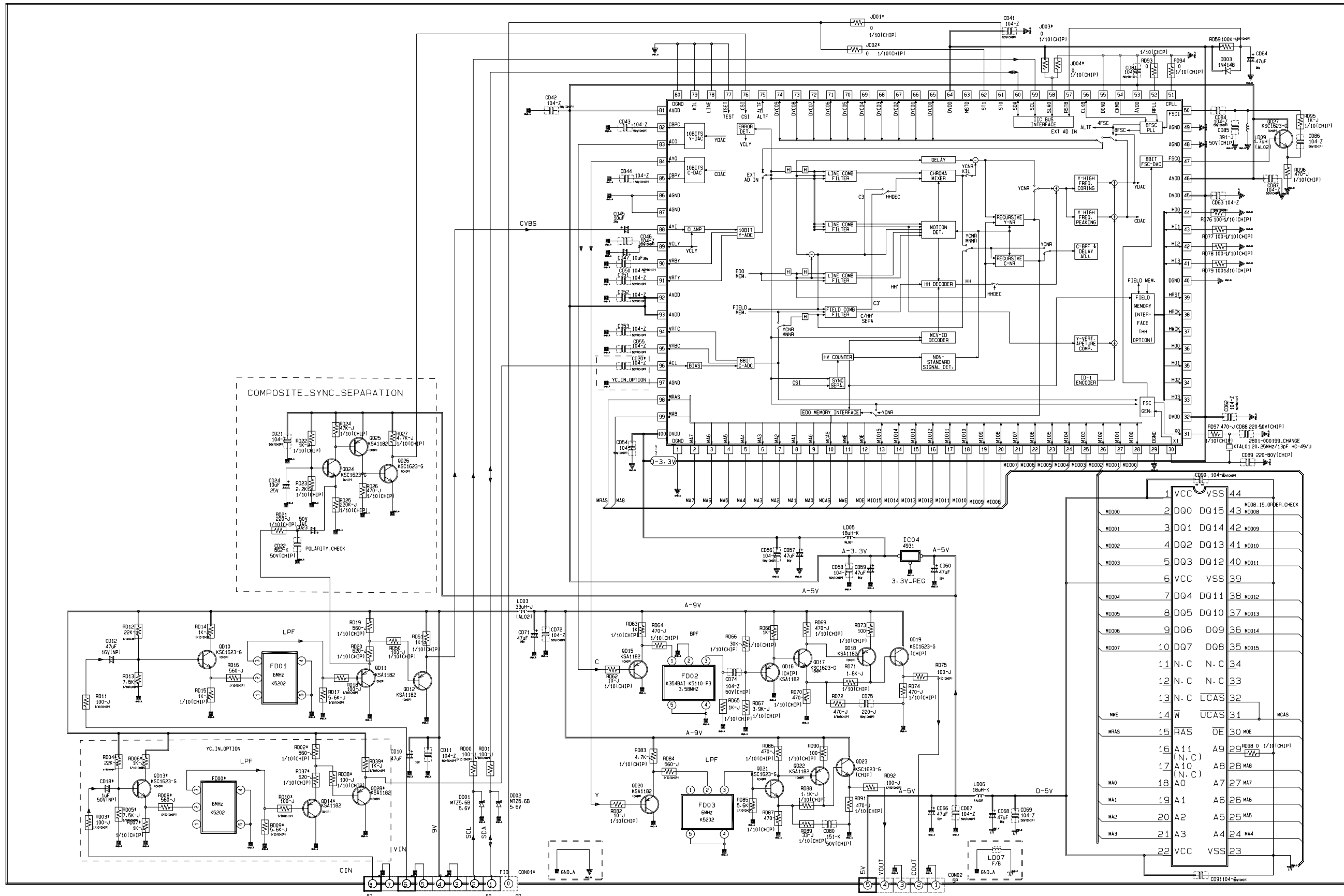


— : Power Line
 — : Signal Line

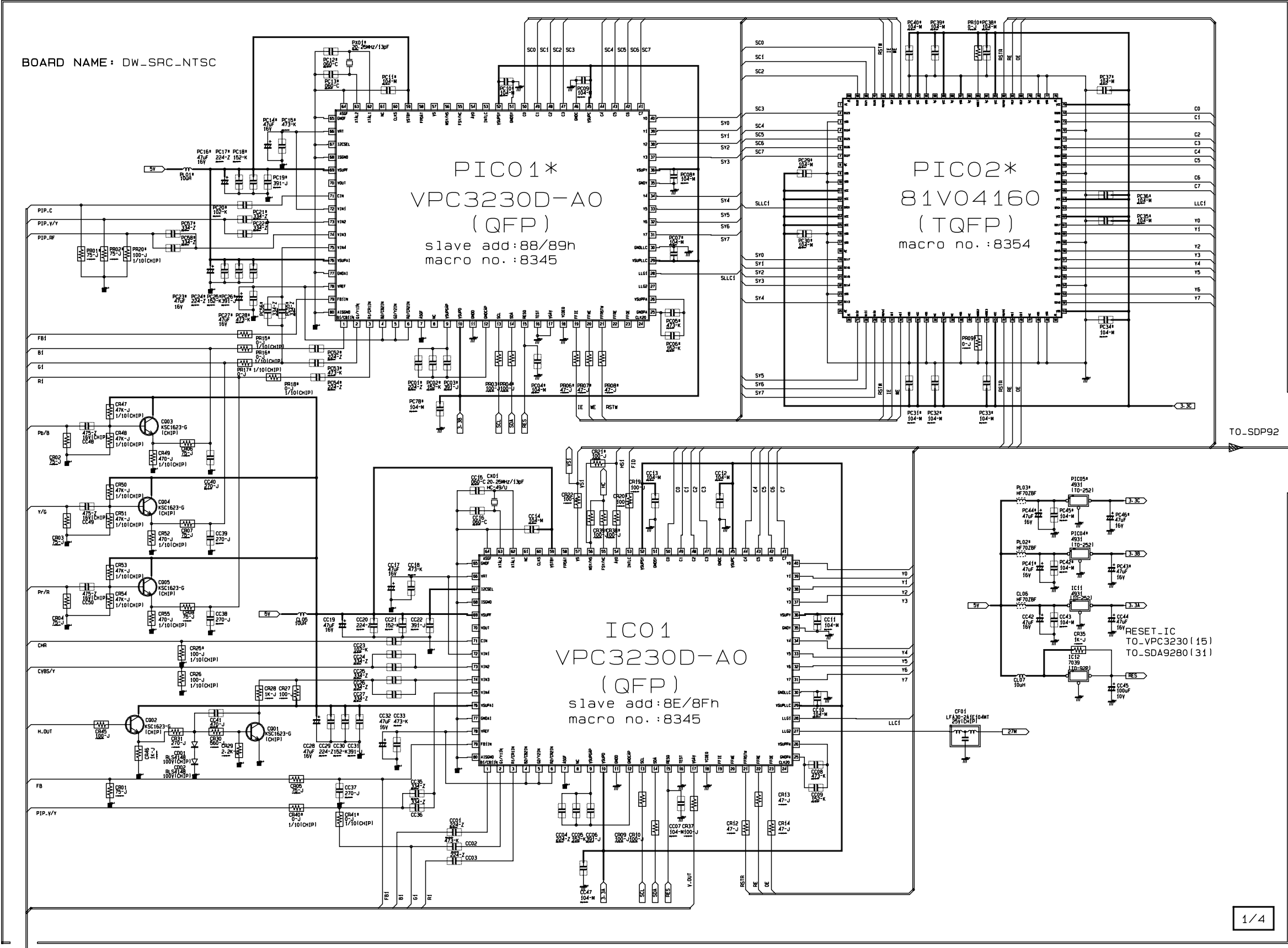
9-7 DOLBY



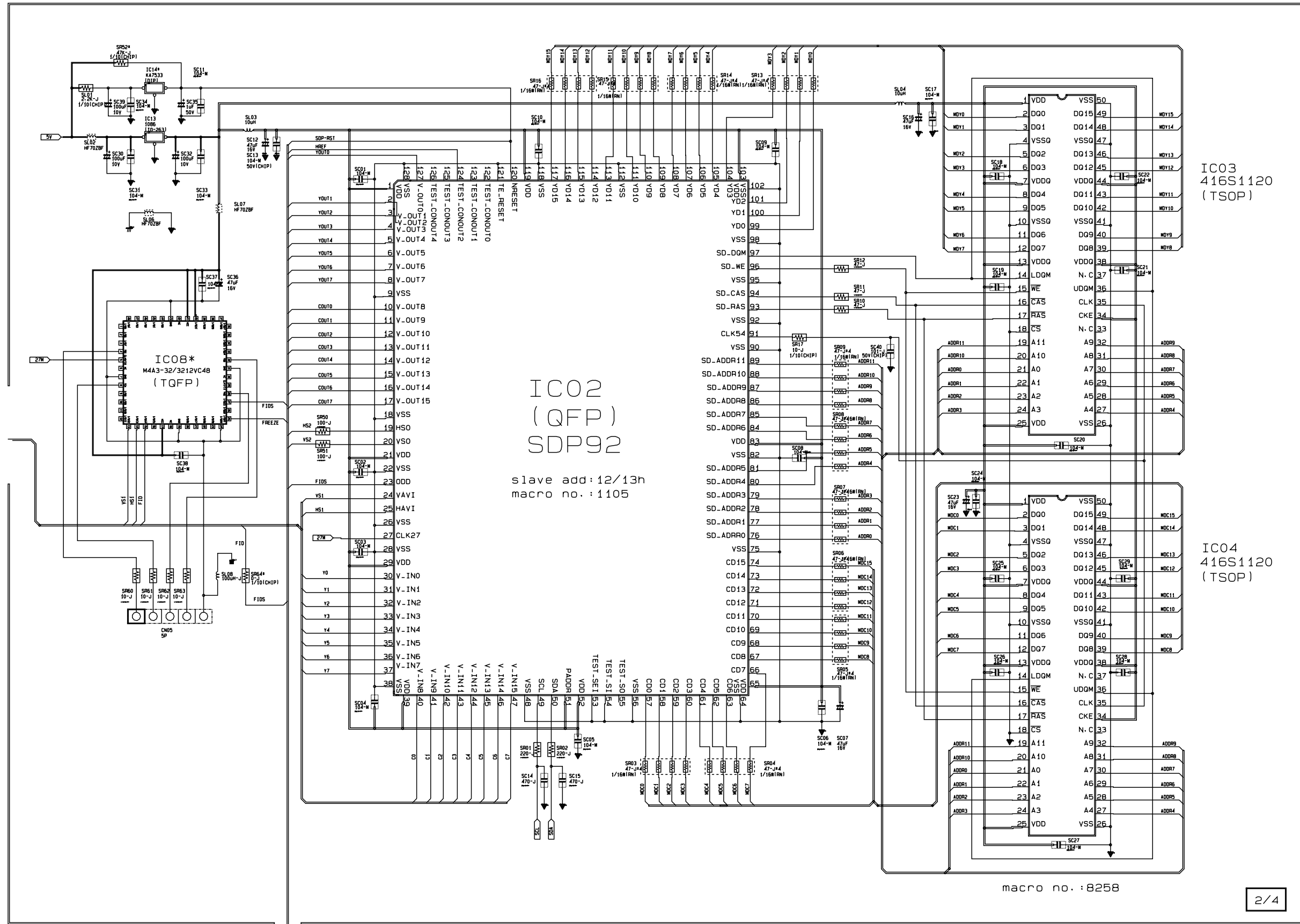
9-8 3D COMB



9-9 DW_SRC 1/4



9-10 DW_SRC 2/4



9-11 DW_SRC 3/4

